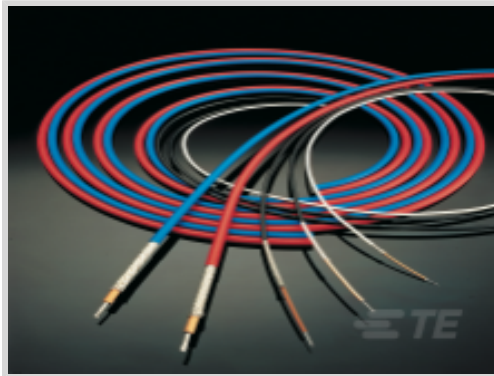




Wire & Cable > High Speed Digital & Data Cable



High Speed Digital & Data Cable Type: **Cheminax**

Impedance: **70 Ω**

Wire Size: **22 AWG**

Operating Temperature Range: **-65 – 200 °C [-85 – 392 °F]**

Features

Product Type Features

Product Classification	Cable - Coaxial
Cable Style	Twisted Pair
Product Type	Cable
High Speed Digital & Data Cable Type	Cheminax

Electrical Characteristics

	30 pF/ft
Impedance	70 Ω

Body Features

Shield Material	Tin-Plated Copper
Jacket Color	White
Conductor Material	Tin-Plated Copper
Jacket Material	Radiation-Crosslinked, Modified ETFE

Dimensions

Wire Diameter	.75 mm[.0295 in]
Cable Dielectric Diameter	1.45 mm[.057 in]
Overall Outside Diameter	3.76 mm[.148 in]
Wire Size	22 AWG

Usage Conditions

--	--

Operating Temperature Range	-65 – 200 °C[-85 – 392 °F]
-----------------------------	----------------------------

Product Compliance

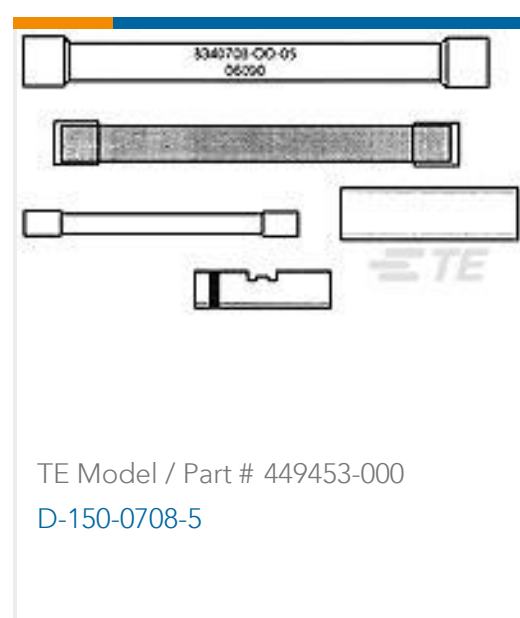
[For compliance documentation, visit the product page on TE.com>](#)

EU RoHS Directive 2011/65/EU	Compliant
EU ELV Directive 2000/53/EC	Compliant
China RoHS 2 Directive MIIT Order No 32, 2016	No Restricted Materials Above Threshold
EU REACH Regulation (EC) No. 1907/2006	Current ECHA Candidate List: JUN 2020 (209) Candidate List Declared Against: JAN 2020 (205) Does not contain REACH SVHC
Halogen Content	Out of Scope - excluded from Halogen requirements
Solder Process Capability	Not applicable for solder process capability

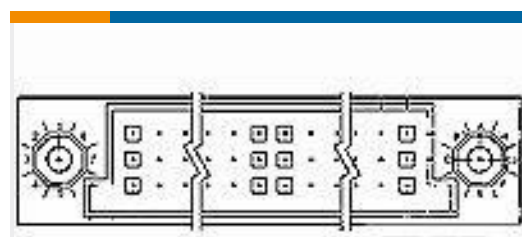
Product Compliance Disclaimer

This information is provided based on reasonable inquiry of our suppliers and represents our current actual knowledge based on the information they provided. This information is subject to change. The part numbers that TE has identified as EU RoHS compliant have a maximum concentration of 0.1% by weight in homogenous materials for lead, hexavalent chromium, mercury, PBB, PBDE, DBP, BBP, DEHP, DIBP, and 0.01% for cadmium, or qualify for an exemption to these limits as defined in the Annexes of Directive 2011/65/EU (RoHS2). Finished electrical and electronic equipment products will be CE marked as required by Directive 2011/65/EU. Components may not be CE marked. Additionally, the part numbers that TE has identified as EU ELV compliant have a maximum concentration of 0.1% by weight in homogenous materials for lead, hexavalent chromium, and mercury, and 0.01% for cadmium, or qualify for an exemption to these limits as defined in the Annexes of Directive 2000/53/EC (ELV). Regarding the REACH Regulation, the information TE provides on SVHC in articles for this part number is based on the latest European Chemicals Agency (ECHA) 'Guidance on requirements for substances in articles' posted at this URL: <https://echa.europa.eu/guidance-documents/guidance-on-reach>

Compatible Parts



Customers Also Bought



TE Model / Part #532433-5
HDI PIN ASSY 3 ROW 120 POS



TE Model / Part #YDTS20F09-35ANV001
D38999: Square Flange, 9-35 insert



TE Model / Part #A13580-000
HTCM-SCE-TP HIGH TEMPERATURE MARKERS



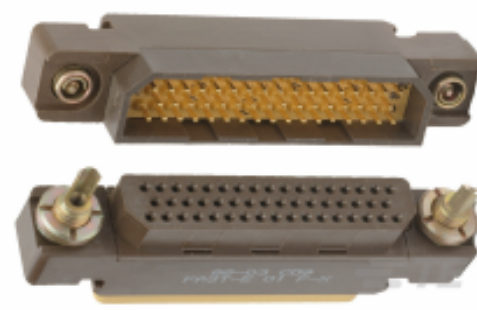
TE Model / Part #DTS26F23-35SD
PLUG ASSY



TE Model / Part #695177-000
B-023-00



TE Model / Part #1604898-5
Plug Kit, 2 Pos, Quadrax



TE Model / Part #ZPF000000000017897
FAST-E 08 F-X-B 00 A



TE Model / Part #5470254010
CONVOLEX-5/8-0-SP



TE Model / Part #480415-002
10599-22-9



TE Model / Part #YDTS24F25-04PAV001
RECP ASSY

Documents

Product Drawings

10599-22-9

English

Datasheets & Catalog Pages

1654025_Sec9_CheminaxCables

English

Wire and Cable Overview

English

Product Specifications

Product Specification

English