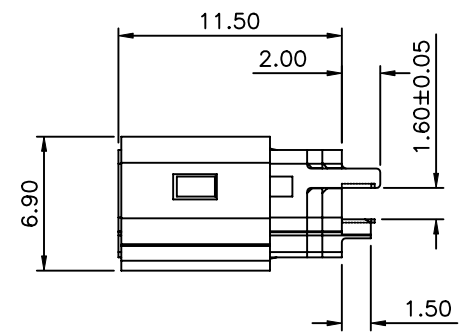
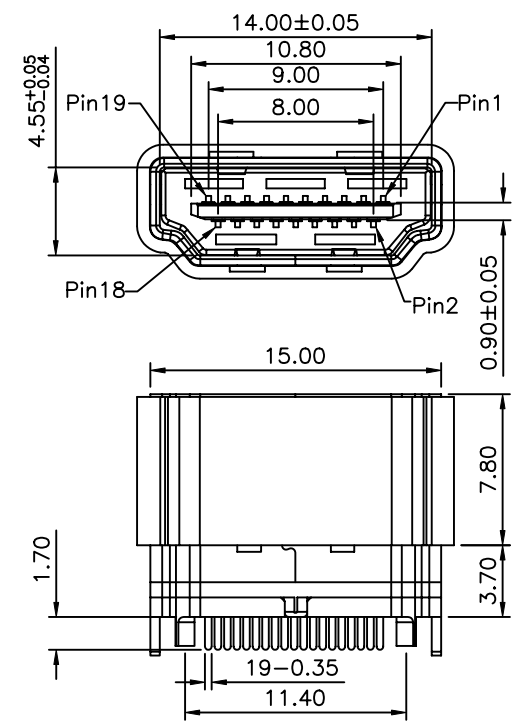
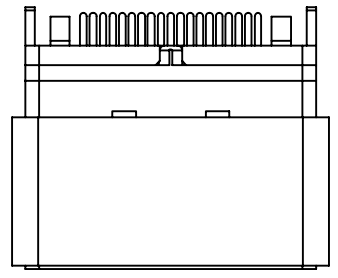
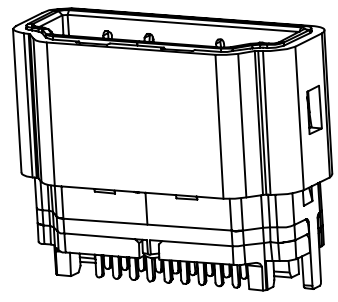
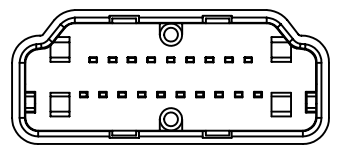


SPECIFICATION
 Housing:LCP,Color:Black
 Contact:Brass
 Selective Gold Flash
 Shell:Brass,Nickel Plated
 RoHS Compliant



AUK A MEMBER OF AUK GROUP
太聯事業股份有限公司
AUK CONTRACTORS CO., LTD.

CATEGORY		APPROVED BY		UNLESS OTHERWISE SPECIFIED TOLERANCES ARE .X ±0.25 .X* ±3* .XX ±0.15 .XX* ±1* .XXX ±0.05 .XXX* ±0.5*				
PART No. HDM19SE-H		MEI						
DRAWING No. HDM19SE-H		CHECKED BY HZF						
SCALE		REV.		DRAWING BY XYH		UNIT mm		
NONE		A0		A0		NEW RELEASE		HZF 07/03/2008
				NO.REV.		REVISIONS		CHK DATE