

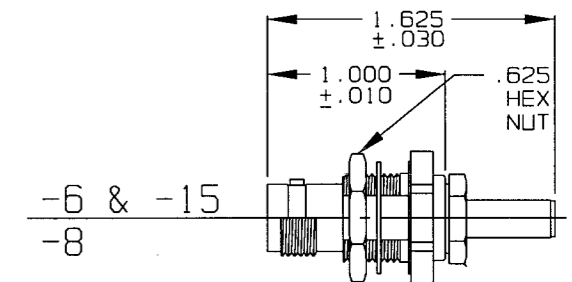
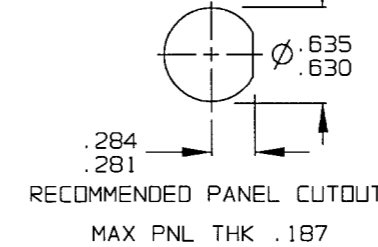
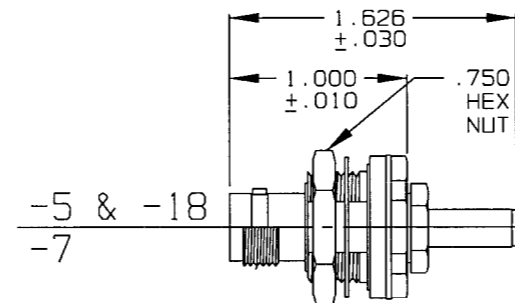
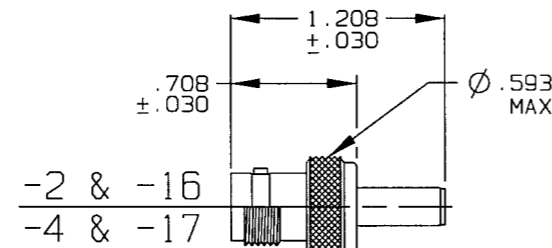
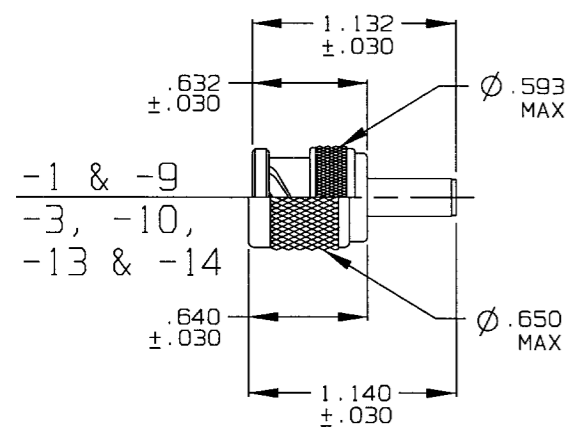
TABLE 1				
DASH NO	CONN TYPE	IMPD (OHMS)	MATERIAL \triangle	ASSEMBLE PER
-1	PL220	50	1-0442-020	TAI-A118
-2	CJ220		1-0443-020	
-3	PL240		1-0446-020	
-4	CJ240		1-0445-020	
-5	BJ226		1-0472-020	
-6	BJ229	75	1-0473-020	TAI-123
-7	BJ246		1-0046-020	
-8	BJ249		1-0047-020	
-9	UPL220	75	1-0468-020	TAI-D118
-10	UPL240		1-0041-020	
-11	PL223	50	1-0009-020	TAI-A118
-12	UPL223	75	1-0050-020	TAI-D118
-13	PL240S	50	1-0446-020	TAI-A118
-14	UPL240S	75	1-0041-020	TAI-D118
-15	UBJ229		1-0488-020	TAI-123
-16	UCJ220		1-0494-020	TAI-D118
-17	UCJ240		1-0496-020	
-18	UBJ226		1-0489-020	TAI-123
-19	UPLR220		1-0504-020	TAI-221
-20	UPLFF220		1-0517-020	TAI-223
-21	UBJ220		1-0515-020	TAI-D118

CENTER CONTACT CRIMP TOOLING			
CONTACT TYPE	MILITARY 8 POINT INDENTER	COMMERCIAL HEX	COMMERCIAL 8 POINT INDENTER
50 OHM PIN	M22520/1-01 BASIC TOOL WITH M22520/1-12 TURRET HEAD SELECTOR NO. 6	TEI CT4L BASIC TOOL WITH TEI CD3-2 DIE, CLOSURE C (.068 HEX)	N/A
50 OHM SOCKET	M22520/1-01 BASIC TOOL WITH M22520/1-12 TURRET HEAD SELECTOR NO. 6	TEI CT4L BASIC TOOL WITH TEI CD3-2 DIE, CLOSURE C (.068 HEX)	N/A
75 OHM PIN	N/A	TEI CT4L BASIC TOOL WITH TEI CD3-2 DIE, CLOSURE D (.042 HEX)	TEI 010-0097 8 PT 010-0098 12 PT
75 OHM SOCKET	N/A	TEI CT4L BASIC TOOL WITH TEI CD3-2 DIE, CLOSURE D (.042 HEX)	TEI 010-0088

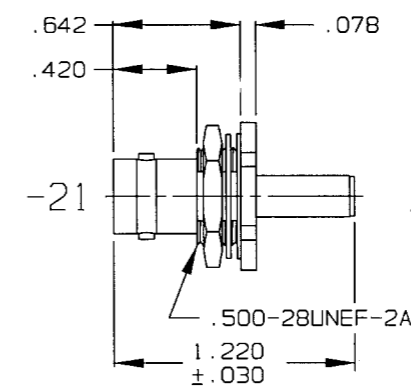
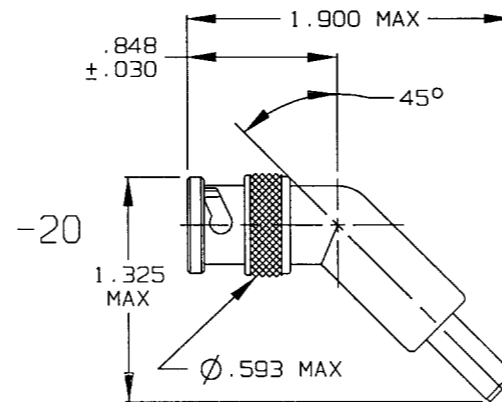
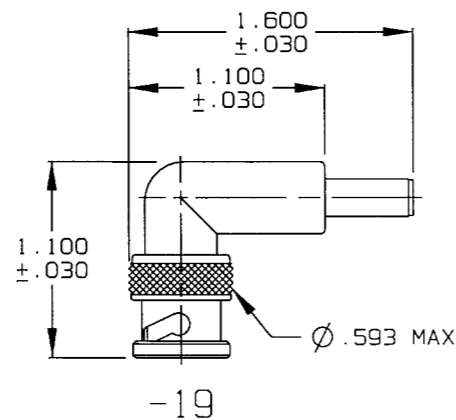
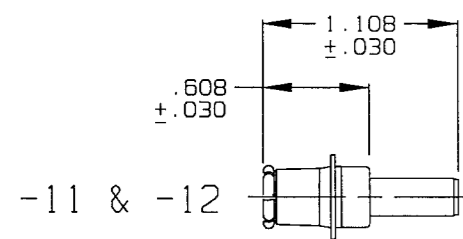
DATA CONTAINED IN THIS DOCUMENT IS PROPRIETARY TO TROMPETER ELECTRONICS, INC. AND SHALL NOT BE DISCLOSED, COPIED OR USED FOR PROCUREMENT OR MANUFACTURE WITHOUT EXPRESS WRITTEN PERMISSION OF TROMPETER ELECTRONICS, INC.

REVISIONS		105-1399	SH 1C
REV	DESCRIPTION	DATE	APPROVED
A	REVISED PER ECO #14078	6-19-01	

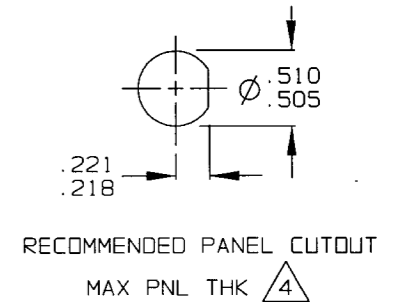
CRIMP SLEEVE TOOLING		
CONNECTOR TYPE	MILITARY HEX	COMMERCIAL HEX
50 OR 75 OHM CONNECTORS	M22520/5-01 BASIC TOOL WITH M22520/5-55 DIE, CLOSURE A (.324 HEX)	TEI CT4L BASIC TOOL WITH TEI CD3-2 DIE, CLOSURE A (.324 HEX)



\triangle .218 THK



\triangle .100 THK



2. EXAMPLE OF COMPLETE PART NO:

105-1399 - 1

BASIC PART NO. DASH NO
(SEE TABLE 1)

1. 50 & 75 OHM FULL CRIMP COAXIAL BNC/TNC CABLE PLUGS/ RECEPTACLE/INSULATED & NONINSULATED BULKHEAD MOUNT CABLE RECEPTACLE/PUSH-ON PLUG & 75 OHM BNC/TNC/ PUSH-ON FULL CRIMP COAXIAL CABLE PLUG FOR GEPCD CABLE NO. VP618TK

\triangle REPLACE CRIMP SLEEVE 8-1613-19 WITH CRIMP SLEEVE 8-1613-7

INTERPRET DRAWING PER MIL-STD-100 DIMENSIONS ARE IN INCHES AND INCLUDE FINISH THICKNESS UNLESS OTHERWISE SPECIFIED		TOL: UNLESS SPECIFIED .XX .XXX ±.005 .XXXX ANGLES	
DRAWN R L	DATE 6/6/01	MATERIAL:	
CHECKED 	DATE 6/13/01	FINISH: TFS-1A (NICKEL)	
APPROVED 	CAD FILE NO. 105-1399A1	DO NOT SCALE DWG	

TROMPETER
ELECTRONICS, INC.

TITLE: 220/240 SERIES-1187A

SIZE B	CAGE CODE 14949	DRAWING NO. 105-1399	REV. A
SCALE NONE	DATE: 2/4/92	SHEET 1C	