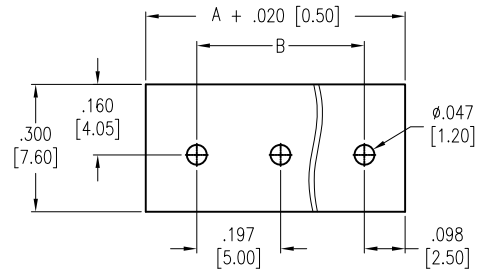
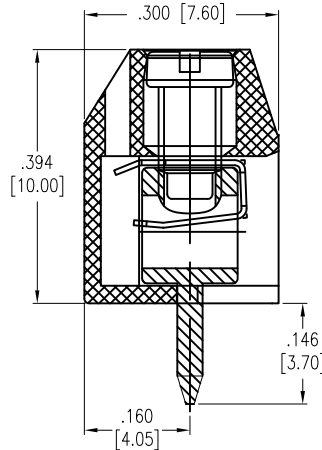


APPROVED: _____
 DATE: _____ TITLE: _____

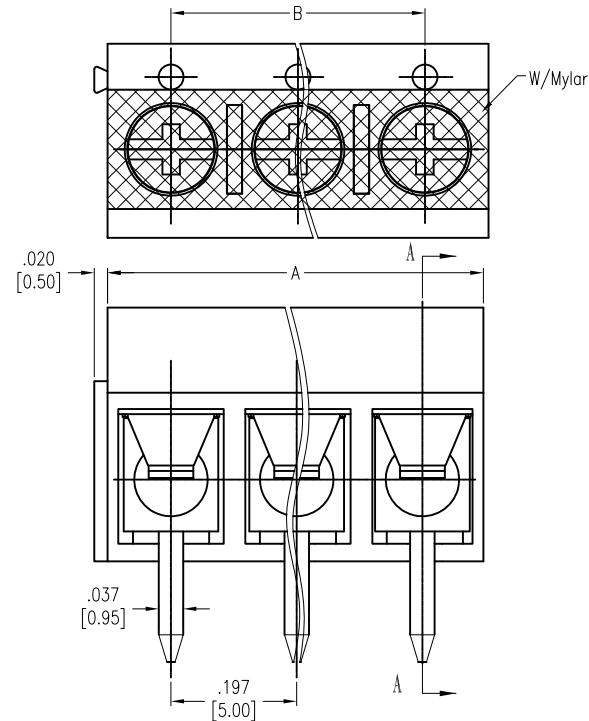
Rev	AWO #	Description	Date	Appr
F		ADDED PACKING	4/25/18	AY/IC
G		UPDATE DIP TAIL	5/31/18	HR/TW
H		ADDED PACKAGE INFO	11/30/18	HR/TW
I		DIM .160 [4.05] WAS .165 [4.20]	12/3/18	SS
J		UPDATED PACKAGE INFO	01/09/19	HR/TW



RECOMMENDED PCB LAYOUT



SECTION A-A



PACKAGING: TAPE & REEL

Positions: 2 thru 24

A = .197 [5.00] x No. of Positions + .045 [1.15]

B = .197 [5.00] x No. of Spaces

SPECIFICATIONS:
 Material:
 Insulator: Polyamide, PA46, rated UL 94V-0
 Insulator color: Black
 Screw: M2.5, Steel, Zinc plated.
 Contact: Copper Alloy, Tin plated.
 Shrapnel: Stainless Steel
 Electrical:
 Voltage rating: 300 VAC Max.
 Current rating: 15 Amps Max.
 Contact resistance: 20 mohms max.
 Insulation resistance: 500 Mohms min @ 500 VDC
 Withstanding voltage: 2,000 VAC for 1 minute
 Mechanical:
 Torque: 4.0Lb-In
 Wire Range: 22-14AWG, 1.5mm Strip Length: 4.5-5mm
 Temperature Rating:
 -40°C to +105°C
 Soldering Temperature: 260°C max for 5 Sec. max.
 Lead free, RoHS compliant.



UNLESS OTHERWISE SPECIFIED ALL DIMENSIONS ARE INCHES [MM] TOLERANCES: EXCEPT AS NOTED		ADAM TECH		909 Rahway Avenue, Union, NJ 07083	
INCHES		HOLES		Phone: 908-687-5000	
.X ± .10	Ø.X ± .10	INTERCONNECTS		Fax: 908-687-5710	
.XX ± .020	Ø.XX ± .015	TITLE EURO BLOCK, .197 [5.00] PITCH, .114" [2.9mm]			
.XXX ± .015	Ø.XXX ± .010	TAIL, TAPE AND REEL PACKAGING			
APPROVALS		DATE		SIZE X PART NO.	
DRAWN	SS	2/24/17		EBBA-XX-C-BK-HT-T/R	
CHECKED	GD	2/24/17		REV.	J
APPROVED		REF:	S00046C	SCALE:	NTS
				SHEET	1 OF 3

6

5

4

3

2

1

APPROVED: _____

DATE: _____ TITLE: _____

Rev	AWO #	Description	Date	Appr
-----	-------	-------------	------	------

SEE SHT 1 OF 4 FOR REVISION

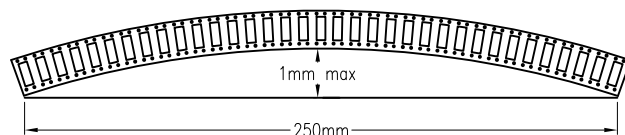
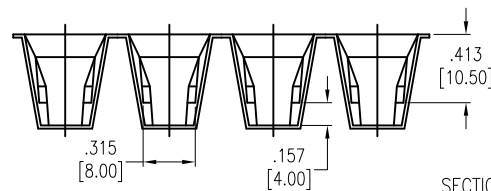
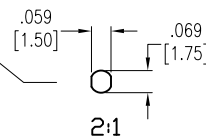
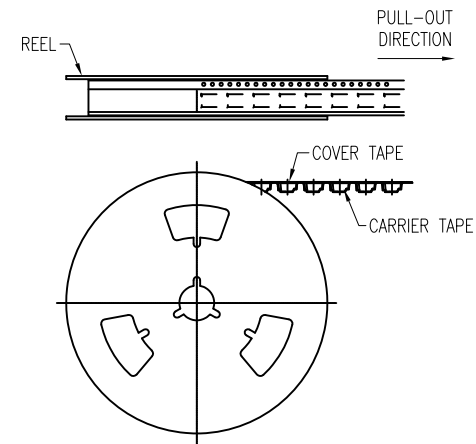
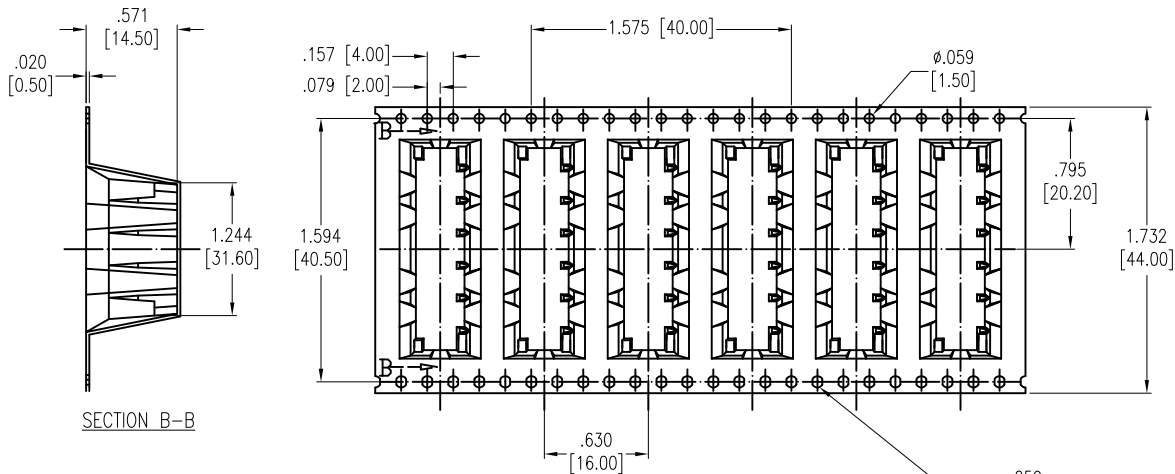


Fig.A

6 POSITION PACKAGING SHOWN ABOVE

UNLESS OTHERWISE SPECIFIED
ALL DIMENSIONS ARE INCHES [MM]
TOLERANCES: EXCEPT AS NOTED
INCHES HOLES

.X	± .10	Ø.X	± .10
.XX	± .020	Ø.XX	± .015
.XXX	± .015	Ø.XXX	± .010

ADAM TECH
INTERCONNECTS

909 Rahway Avenue,
Union, NJ 07083
Phone: 908-687-5000
Fax: 908-687-5710

TITLE: EURO BLOCK, .197 [5.00] PITCH, .114" [2.9mm]
TAIL, TAPE AND REEL PACKAGING

APPROVALS		DATE
DRAWN	SS	2/24/17
CHECKED	GD	2/24/17
APPROVED		

SIZE	PART NO.	REV.
X	EBBA-XX-C-BK-HT-T/R	J
REF: S00046C	SCALE: NTS	SHEET 2 OF 3

- NOTE:
- 10 sprocket hole pitch cumulative tolerance ±0.2mm
 - Material: PS, Black
 - 13"1R= 5.2m (Carrier Tape), 4.5m (Packing Length)
 - 324 pcs/reel (Carrier Tape space), 300 pcs/reel (Actual packing)
 - All dimensions meet EIA-481-C-2003 requirements
 - Carrier camber is 1mm in 250mm (see Fig.A)

6

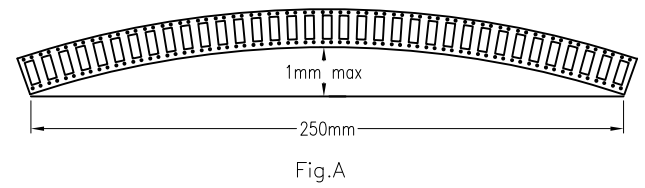
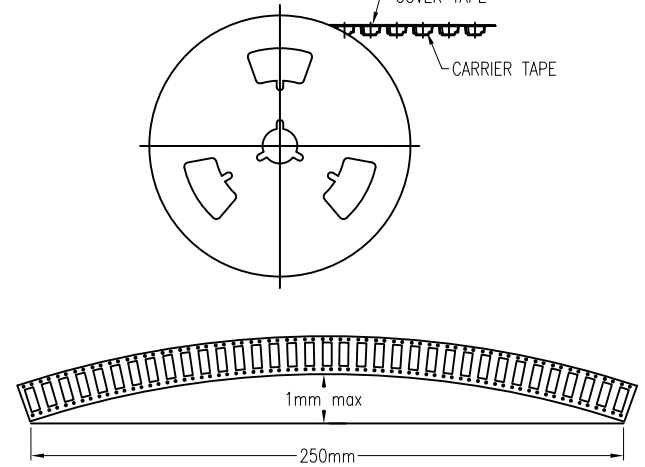
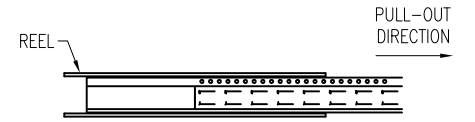
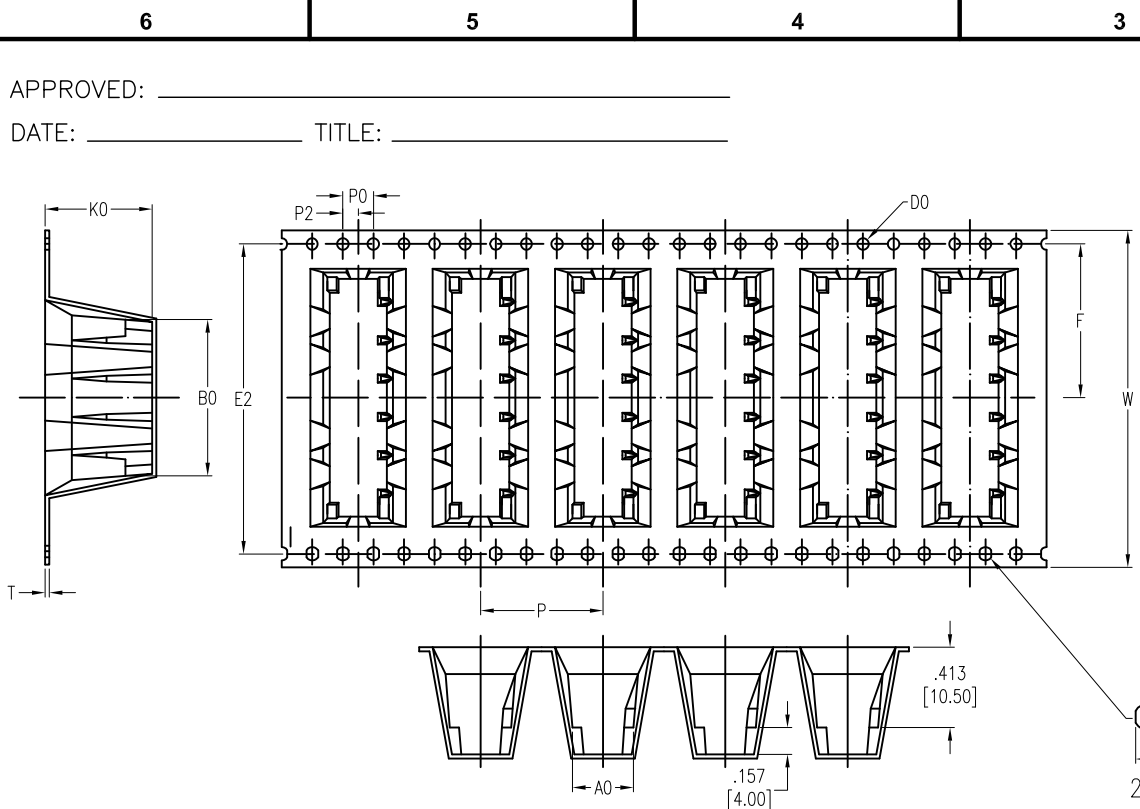
5

4

3

2

1



	W	A0	B0	P	K0	F	E2	D0	P0	P2
2P	.945"±.012" [24±0.3]	.315"±.004" [8±0.1]	.413"±.004" [10.5±0.1]	.630"±.004" [16±0.1]	.551"±.004" [14±0.1]	.453"±.004" [11.5±0.1]	.874"±.004" [22.2±0.1]	.059"±.004" [1.5±0.1]	.157"±.004" [4±0.1]	.079"±.004" [2±0.1]
3P	1.260"±.012" [32±0.3]	.315"±.004" [8±0.1]	.610"±.004" [15.5±0.1]	.630"±.004" [16±0.1]	.551"±.004" [14±0.1]	.559"±.004" [14.2±0.1]	1.122"±.004" [28.5±0.1]	.059"±.004" [1.5±0.1]	.157"±.004" [4±0.1]	.079"±.004" [2±0.1]
4P	1.732"±.012" [44±0.3]	.315"±.004" [8±0.1]	.807"±.004" [20.5±0.1]	.630"±.004" [16±0.1]	.551"±.004" [14±0.1]	.795"±.004" [20.2±0.1]	1.594"±.004" [40.5±0.1]	.059"±.004" [1.5±0.1]	.157"±.004" [4±0.1]	.079"±.004" [2±0.1]
5P	1.732"±.012" [44±0.3]	.315"±.004" [8±0.1]	1.004"±.004" [25.5±0.1]	.630"±.004" [16±0.1]	.551"±.004" [14±0.1]	.795"±.004" [20.2±0.1]	1.594"±.004" [40.5±0.1]	.059"±.004" [1.5±0.1]	.157"±.004" [4±0.1]	.079"±.004" [2±0.1]
7P	2.205"±.012" [56±0.3]	.315"±.004" [8±0.1]	1.398"±.004" [35.5±0.1]	.630"±.004" [16±0.1]	.551"±.004" [14±0.1]	1.031"±.004" [26.2±0.1]	2.067"±.004" [52.5±0.1]	.059"±.004" [1.5±0.1]	.157"±.004" [4±0.1]	.079"±.004" [2±0.1]
8P	2.205"±.012" [56±0.3]	.315"±.004" [8±0.1]	1.594"±.004" [40.5±0.1]	.630"±.004" [16±0.1]	.551"±.004" [14±0.1]	1.031"±.004" [26.2±0.1]	2.067"±.004" [52.5±0.1]	.059"±.004" [1.5±0.1]	.157"±.004" [4±0.1]	.079"±.004" [2±0.1]
9P	2.835"±.012" [72±0.3]	.315"±.004" [8±0.1]	1.791"±.004" [45.5±0.1]	.630"±.004" [16±0.1]	.551"±.004" [14±0.1]	1.346"±.004" [34.2±0.1]	2.697"±.004" [68.5±0.1]	.059"±.004" [1.5±0.1]	.157"±.004" [4±0.1]	.079"±.004" [2±0.1]
10P	2.835"±.012" [72±0.3]	.315"±.004" [8±0.1]	1.988"±.004" [50.5±0.1]	.630"±.004" [16±0.1]	.551"±.004" [14±0.1]	1.346"±.004" [34.2±0.1]	2.697"±.004" [68.5±0.1]	.059"±.004" [1.5±0.1]	.157"±.004" [4±0.1]	.079"±.004" [2±0.1]
11P	3.456"±.012" [88±0.3]	.315"±.004" [8±0.1]	2.185"±.004" [55.5±0.1]	.630"±.004" [16±0.1]	.551"±.004" [14±0.1]	1.661"±.004" [42.2±0.1]	3.327"±.004" [84.5±0.1]	.059"±.004" [1.5±0.1]	.157"±.004" [4±0.1]	.079"±.004" [2±0.1]

- NOTE:
- 10 sprocket hole pitch cumulative tolerance ±0.2mm
 - Material: PS, Black
 - 13"1R= 5.2m (Carrier Tape), 4.5m (Packing Length)
 - 324 pcs/reel (Carrier Tape space), 300 pcs/reel (Actual packing)
 - All dimensions meet EIA-481-C-2003 requirements
 - Carrier camber is 1mm in 250mm (see Fig.A)

UNLESS OTHERWISE SPECIFIED
ALL DIMENSIONS ARE INCHES [MM]
TOLERANCES: EXCEPT AS NOTED

INCHES		HOLES	
.X	± .10	ØX	±.10
.XX	± .020	ØXX	±.015
.XXX	± .015	ØXXX	±.010

APPROVALS		DATE
DRAWN	SS	2/24/17
CHECKED	GD	2/24/17
APPROVED		

ADAM TECH INTERCONNECTS 909 Rahway Avenue, Union, NJ 07083
Phone: 908-687-5000 Fax: 908-687-5710

TITLE: EURO BLOCK, .197 [5.00] PITCH, .114" [2.9mm] TAIL, TAPE AND REEL PACKAGING

SIZE X	PART NO. EBBA-XX-C-BK-HT-T/R	REV. J
REF: S00046C	SCALE: NTS	SHEET 3 OF 3