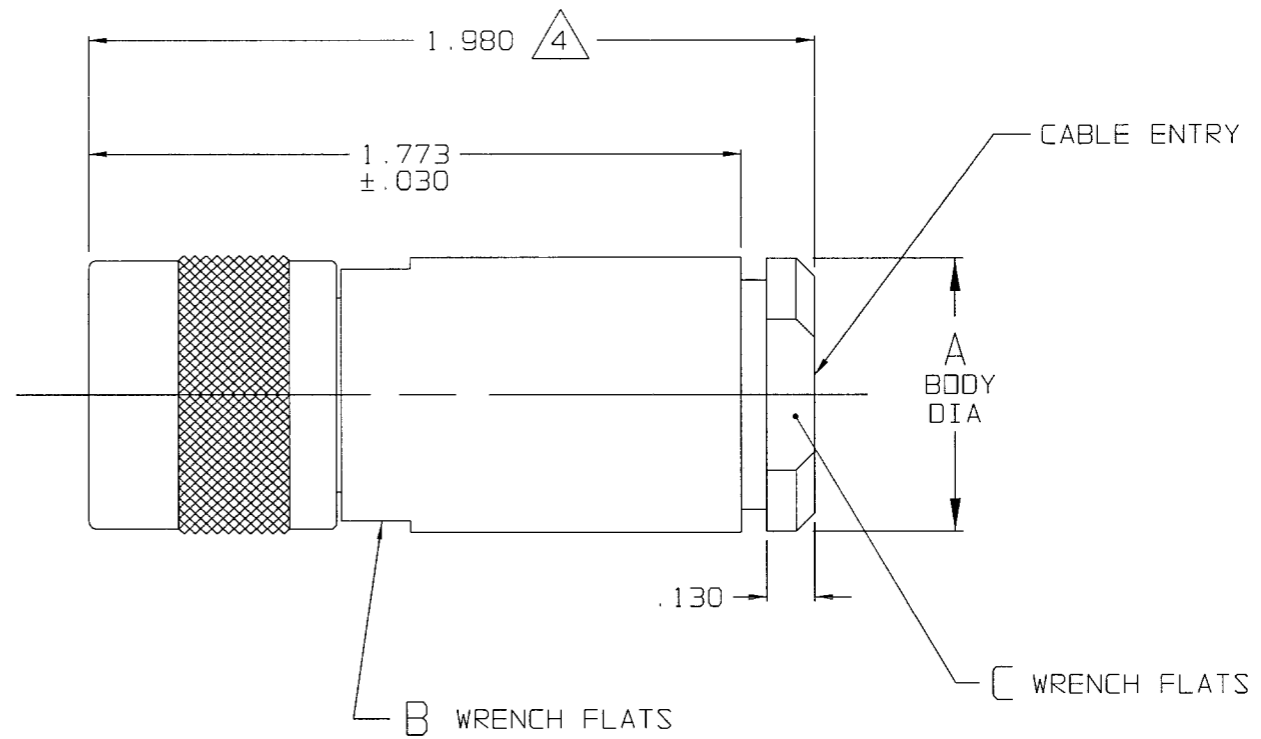
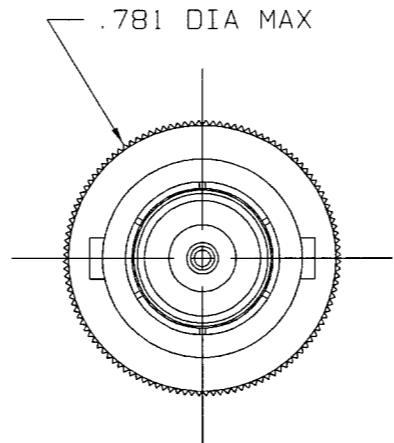


DATA CONTAINED IN THIS DOCUMENT IS PROPRIETARY TO TROMPETER ELECTRONICS, INC. AND SHALL NOT BE DISCLOSED, COPIED OR USED FOR PROCUREMENT OR MANUFACTURE WITHOUT EXPRESS WRITTEN PERMISSION OF TROMPETER ELECTRONICS, INC.

REVISIONS		1-0156	SH 1
REV	DESCRIPTION	DATE	APPROVED
AE	REVISED PER ECD 15098	6/24/03	WJ

DASH NO	CABLES ACCOMMODATED	A DIA	B FLATS	C FLATS	ASSEMBLE PER			
-7	TRC-50-2/TRC-75-2	.750	.687	.625	TAI-175			
-8	8227, BELDEN				TAI-116			
-9	TWC-78-2, RG-108, TWC-124-2				TAI-131			
-10	754E, W.E.CO., RG-22				TAI-175			
-11	760A, W.E.CO.				.990	.875	.875	TAI-116
-12	16PEVL, W.E.CO.							TAI-175
-13	TRF-59, TIMES							TAI-116
-13A	8232, BELDEN							TAI-175
-14	21-529, ESSEX 8233, BELDEN							TAI-124
-14A	TRC-50-4A							TAI-175
-15	21-583, ESSEX							TAI-175
-16	21-950, ESSEX							TAI-175
-26	275-3962, MICRODOT							TAI-175
-29	TWC-124-1A	TAI-175						
-32	TRC-50-1	.750	.687	.625	TAI-116			
-33	TRC-75-1				TAI-175			
-42	21-204, ESSEX				TAI-175			
-46	9860, BELDEN				TAI-116			
-47	M17/176-00002				TAI-175			
-54	89207, BELDEN				TAI-175			
-61	5012W5812, RAYCHEM				TAI-175			
-62	7518A0811, RAYCHEM				TAI-175			



-9 SHOWN

RED INDICATES ORIGINAL

5. CONCENTRIC TWINAX/TRIAX "C" STYLE CABLE PLUG W/SOCKET CENTER CONTACT

4 DIM IS MAX WHEN ASSEMBLED TO CABLE

3. INTERFACE: TCS-PL80

2. FINISH: TFS-1A (NICKEL)

1. ALL DIM ARE IN INCHES

INTERPRET DRAWING PER MIL-STD-100 DIMENSIONS ARE IN INCHES AND INCLUDE FINISH THICKNESS UNLESS OTHERWISE SPECIFIED		TOL: UNLESS SPECIFIED .XX .XXX ±.005 .XXXX		
DRAWN AAH	DATE 6-23-03	MATERIAL:	ANGLES	
CHECKED T. R. [Signature]	DATE 6-23-03	FINISH:		TITLE: PL80
QUALITY [Signature]	DATE 6/25/03	SCALE 2/1		SIZE CAGE CODE B 14949
MANAGER [Signature]	DATE 6/24/03	DATE 4/28/69		DRAWING NO. 1-0156
APPROVED WJ [Signature]	DATE 6/24/03	SHEET 1C		REV. AE
CAO CODE NO. 1-0156AE	DO NOT SCALE DWG			