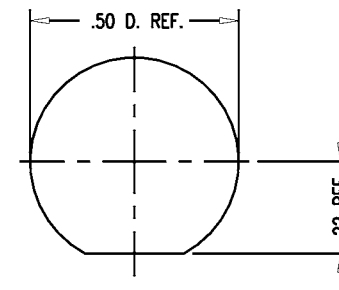
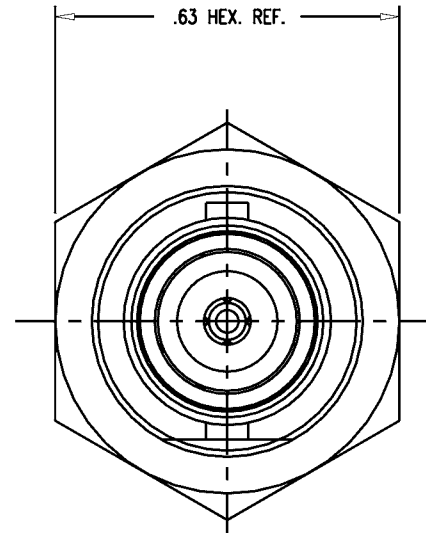
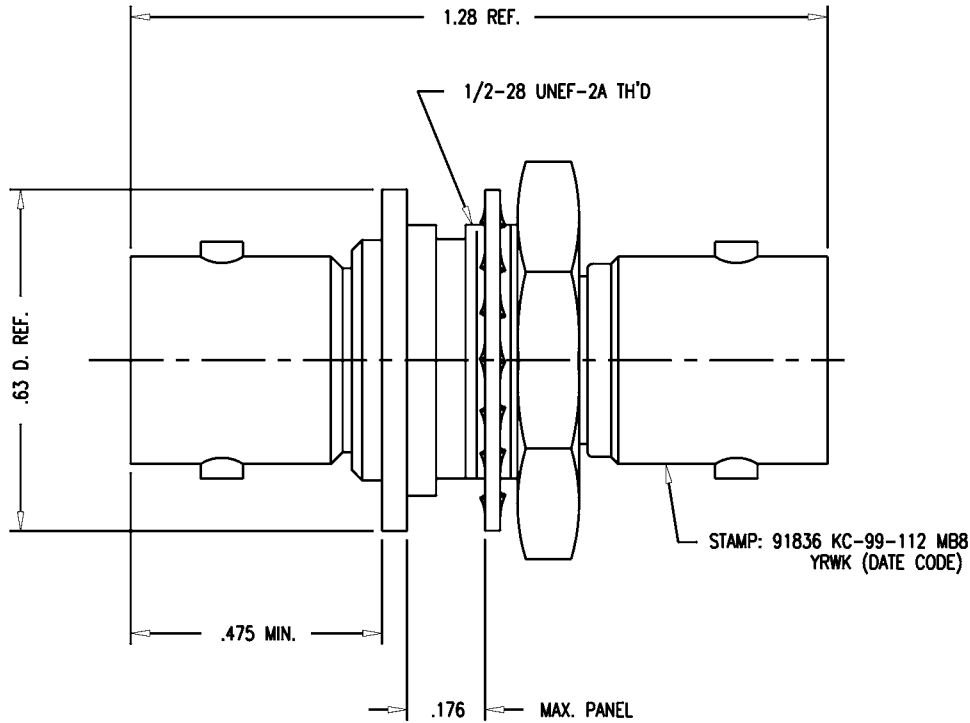


| | | |
|----------|--------|-----------|
| DASH NO. | M CODE | MADE FROM |
|----------|--------|-----------|

GSD

KC-99-112 MB8



MOUNTING HOLE

GSD

- NOTES:
- INTERFACE PER MIL-STD-348, FIG. 301-2 (AS APPLICABLE).
 - MATERIALS:
 - INSULATORS-TEFLON, ASMT-D-4894
 - CENTER CONTACT-BER. COP., ASTM-B-196
 - LOCKWASHER-PHOS. BRONZE, ASTM-B-103
 - ALL OTHER METAL PARTS-BRASS, ASTM-B16
 - FINISHES:
 - CENTER CONTACT-HARD GOLD PLATE PER MIL-G-45204
 - ALL OTHER METAL PARTS-NICKEL PLATE PER QQ-N-290
 - ELECTRICAL CHARACTERISTICS:
 - NOMINAL IMPEDANCE-50 OHMS
 - WORKING VOLTAGE-500 VRMS
 - FREQUENCY RANGE-DC TO 4 GHZ

| REVISIONS | | |
|--|---------------------------------------|--|
| ISSUE | CHANGES | |
| 0 | ER 20122 GMF 02/20/80 | |
| 1 | CN 25789 C SD 02/23/84 | |
| 2 | CN 27136 C CT 04/13/85 | |
| 3 | CN 33162 E REDRAWN JCA 06/21/91 | |
| 4 | CN 36716 C KH 12/06/95 | |
| 5 | CN 37888 B GEH 09/02/99 | |
| 6 | CN 38561 E TML 05/28/02 | |
| SCALE 4:1 | | |
| APPROX SURFACE AREA | | |
| USED ON | | |
| REF: ARMY REDSTONE ARSENAL 11324362 REV. C | | |
| ADAPTER, F-F, BULKHEAD, ISOLATED GROUND, BNC-BNC | | |
| DRAWN JCA | DATE 04/25/91 | |
| DESIGN MJB | DATE 04/26/91 | |
| APPR. | DATE | |
| KINGS ELECTRONICS CO., INC. ROCK HILL, SOUTH CAROLINA 29730 | | |
| KC-99-112 MB8 | | |