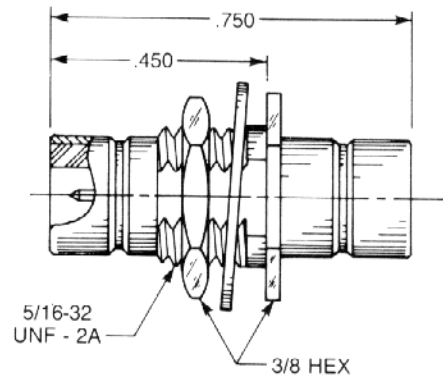


Bulkhead Mounted Straight Male Jack To Jack Adapter

- Connects two plugs

5732-1501-000 (Gold plated)

5732-7501-000 (Nickel plated)

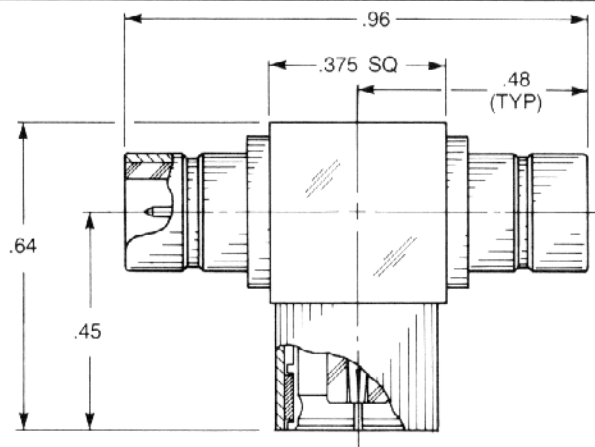


Tee Adapter (Unmatched Power Divider) Jack To Plug To Jack

- Connects two plugs and one jack

5725-1501-000 (Gold plated)

5725-7501-000 (Nickel plated)

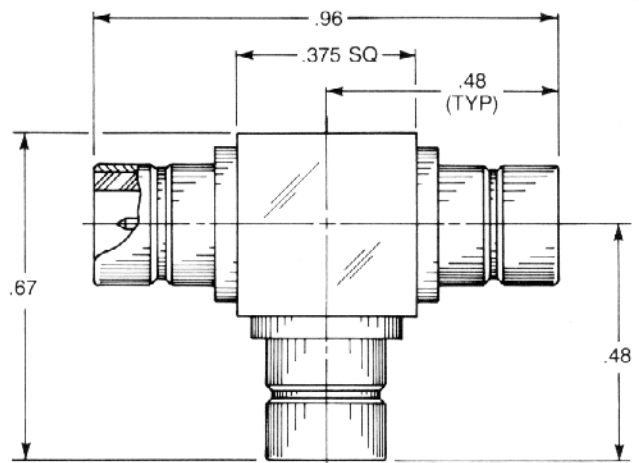


Tee Adapter (Unmatched Power Divider) Jack To Jack To Jack

- Connects three plugs

5727-1501-000 (Gold plated)

5727-7501-000 (Nickel plated)



Female Plug Resistive Termination

(Dummy load)

Standard resistor:
75 ohm, 1/2 watt,
5% tolerance

2736-1511-075 (Gold plated)

2736-7511-075 (Nickel plated)

