

# Omnidirectional Antenna Embedded Model: 703663

## Application - WIRELESS

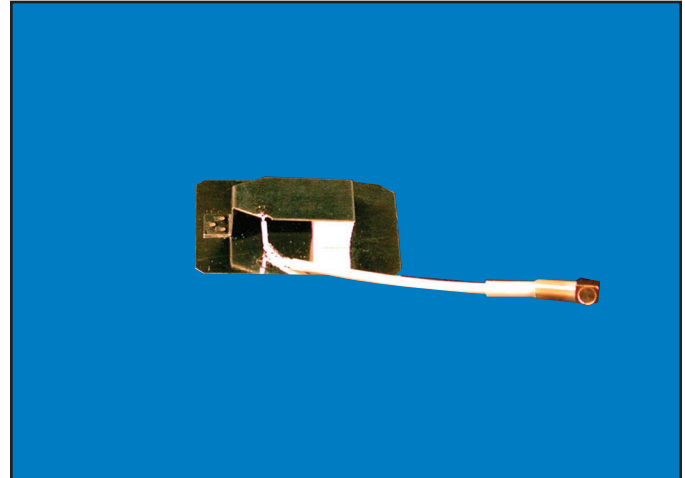
- ◆ Wireless LAN
- ◆ Wireless Internet
- ◆ Bar Code Scanners
- ◆ Point-of-Purchase RFID
- ◆ Retail, Warehousing, Manufacturing, Security and Computer

## Benefits

- ◆ Custom Fit and Size
- ◆ Easy Placement
- ◆ Low Cost

## Features

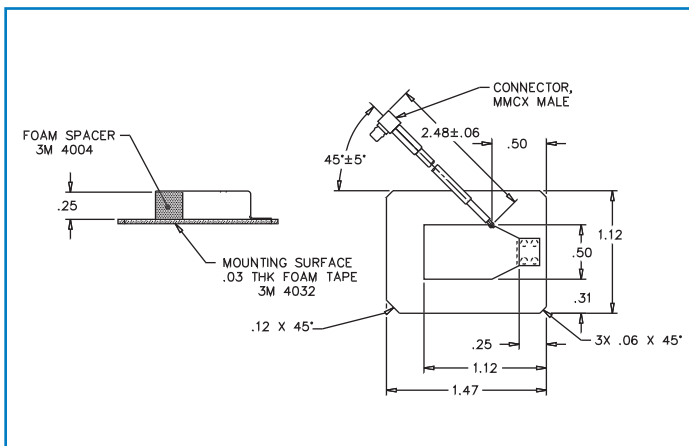
- ◆ Small Size
- ◆ Light Weight
- ◆ Easy to Mount



## Specifications

Parameter	Specification	Unit
Frequency	2.400 - 2.485	GHz
VSWR	2.0:1	-
Gain	0 dBi Nominal	dB
Beamwidth 3dB	N/A	Degrees
Polarization	Linear	-
Impedance	50	Ohm
Connectors	MMCX Male	-
Weight	.0046	kg

## Drawing



## Test Data

