

ELECTRICAL SPECIFICATIONS:

- |                               |                              |                                          |
|-------------------------------|------------------------------|------------------------------------------|
| 1.0 TURNS RATIO:              | (P6-P5-P4) : (J6-J3)         | : 1CT : 1 ± 3%                           |
|                               | (P3-P2-P1) : (J2-J1)         | : 1CT : 1 ± 3%                           |
| 2.0 INDUCTANCE:               | (P6-P4)                      | : 350uH MIN. @ 0.1V, 100KHz, 8mA DC Bias |
|                               | (P3-P1)                      | : 350uH MIN. @ 0.1V, 100KHz, 8mA DC Bias |
| 3.0 LEAKAGE INDUCTANCE:       | P6-P4 (WITH J6 AND J3 SHORT) | : 0.3 MAX. @ 1MHz                        |
|                               | P3-P1 (WITH J2 AND J1 SHORT) | : 0.3 MAX. @ 1MHz                        |
| 4.0 INTERWINDING CAPACITANCE: | (P6,P5,P4) TO (J6,J3)        | : 30pf MAX @ 1MHz                        |
|                               | (P3,P2,P1) TO (J2,J1)        | : 30pf MAX. @ 1MHz                       |
| 5.0 DC RESISTANCE:            | (J1-J2)                      | : 1.2 ohms Max.                          |
|                               | (P6-P4)                      | : 1.2 ohms Max.                          |

NOTES

1.0 PINS WITHOUT ELECTRICAL CONNECTION ARE OMITTED.



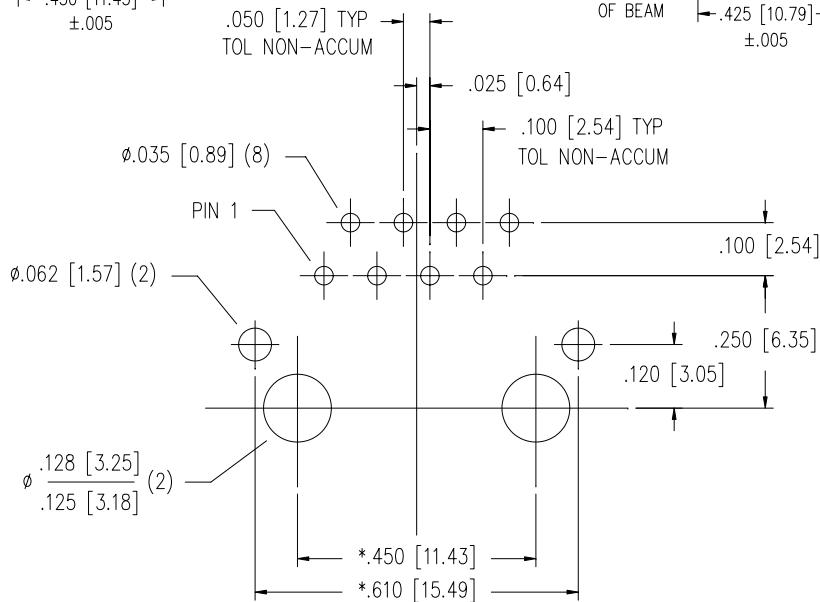
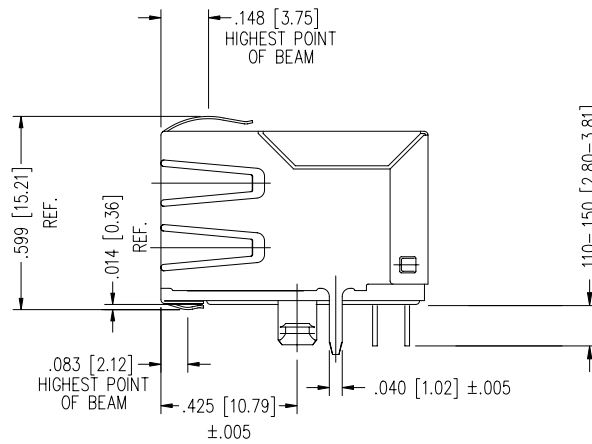
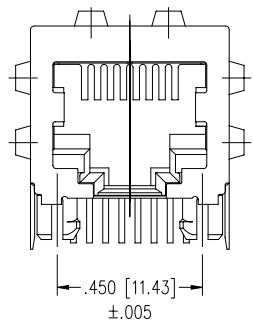
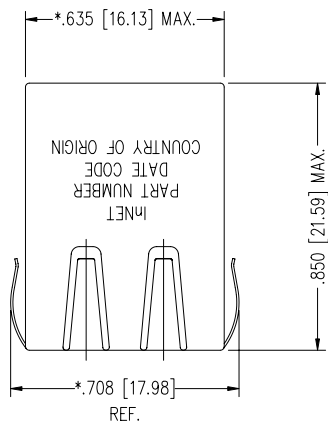
InNet Technologies, Inc.  
<http://www.innet-tech.com>



Stewart Connector Systems  
<http://www.stewartconnector.com>

SHEET  
1 OF 3

DRAWING NO. SI-10193 REV. 01

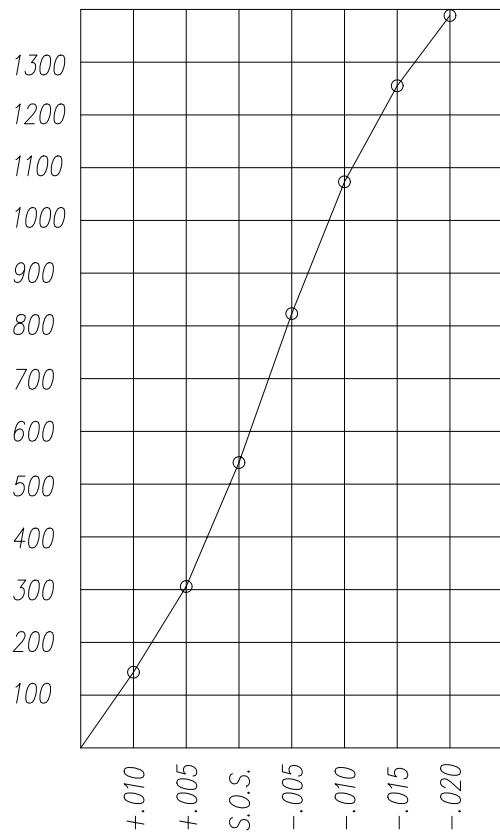


P.C.B. RECOMMENDED HOLE LAYOUT  
 SEEN FROM COMPONENT SIDE  
 TOLERANCE  $\pm .003 [0.08]$  UNLESS OTHERWISE SPECIFIED

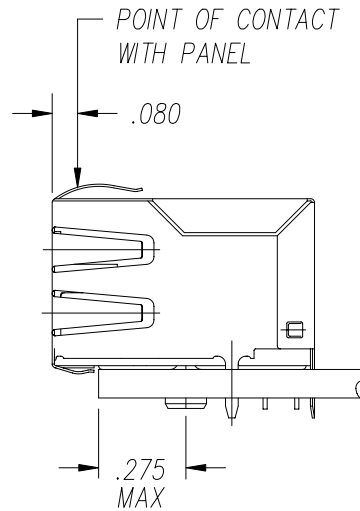
NOTES:

- TOLERANCES COMPLY WITH F.C.C. DIMENSION REQUIREMENTS
- DIMENSIONS SHOWN WITH "\*" TO BE CENTRAL ABOUT CENTER LINE
- DIMENSIONS SHOWN ARE SUBJECT TO CHANGE WITHOUT NOTICE.
- PIN NOT ELECTRICALLY CONNECTED MAYBE OMITTED. SEE ELECTRICAL DRAWING FOR OMITTED PINS.
- STANDARD 50 MICRO-INCH SELECTIVE GOLD PLATING

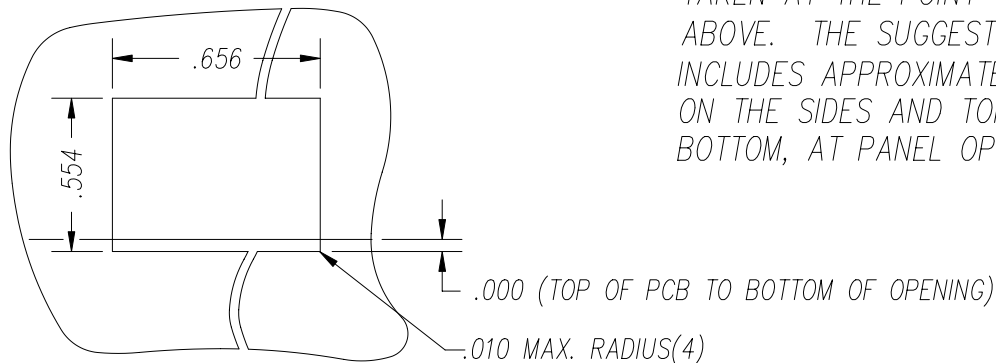
		InNet Technologies, Inc. <a href="http://www.innet-tech.com">http://www.innet-tech.com</a>	
		Stewart Connector Systems <a href="http://www.stewartconnector.com">http://www.stewartconnector.com</a>	
SHEET 2 OF 3	DRAWING NO. SI-10193	REV. 06	



PANEL GROUNDING BEAM DEFLECTION  
S.O.S. = SUGGESTED OPENING SIZE



THE SUGGESTED PANEL OPENING IS INTENDED TO GIVE THE USER THE ABILITY TO HAVE REASONABLE JACK / PANEL CLEARANCES YET MAINTAIN RELIABLE GROUNDING CAPABILITY. THESE VARIABLES CAN BE ADJUSTED IN EITHER DIRECTION BUT MAY CARRY SOME CONSEQUENCES IN THE FORM OF LOWER MATING FORCES OR TIGHTER ASSEMBLY TOLERANCES. FORCE VALUES ON THE GRAPH ARE GENERAL AVERAGES TAKEN AT THE POINT OF CONTACT SHOWN ABOVE. THE SUGGESTED PANEL OPENING INCLUDES APPROXIMATELY .020 CLEARANCE ON THE SIDES AND TOP AND .013 ON THE BOTTOM, AT PANEL OPENING.



SUGGESTED PANEL OPENING

