

## Features

- Lead free versions available
- RoHS compliant (lead free version)\*
- Compliant with IEEE802.3ab Draft Standards for 1000 Base-T
- Designed for Long Haul Gigabit Ethernet 10/100/1000 Base-T Full Duplex applications

- Low profile surface mount packaging designed for reflow process (225 ° peak)
- Supports 4 pairs of Category 5 UTP cables

## Applications

- LAN
- Ethernet

# PT61021 LAN 10/100/1000 Base-T Transformer Modules

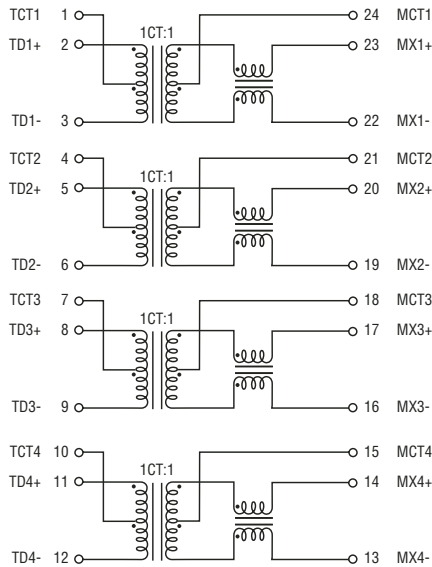
### Electrical Specifications @ 25 °C

Inductance .....	350 $\mu$ H min.
with 8 mA DC bias @ 100 KHz, 0.2 V	
Leakage Inductance.....	0.50 $\mu$ H max.
@ 100 KHz, 0.2 V	
Interwinding Capacitance .....	25 pF typ.
@ 100 KHz, 0.2 V	
DC Resistance .....	0.90 $\Omega$ max.
Insertion Loss .....	0.3-100 MHz
	-1.1 dB max.
Return Loss (dB min.)	
0.3-30 MHz .....	-18
40 MHz .....	-14.4
50 MHz .....	-13.1
60-80 MHz .....	-12
Cross Talk (dB min.)	
0.3-30 MHz .....	-35
60-100 MHz .....	-28
Common Mode Rejection (dB min.)	
0.3-30 MHz .....	-40
60 MHz .....	-35
80-100 MHz .....	-30
Turns Ratio .....	1 CT:1 $\pm$ 5 %
Isolation Hi-Pot.....	1500 VAC 1 mA 1 sec.
Operating Temperature	
.....	0 ° C to +70 ° C

### Packaging Specifications

Tube.....28 pieces/tube

### Electrical Schematic



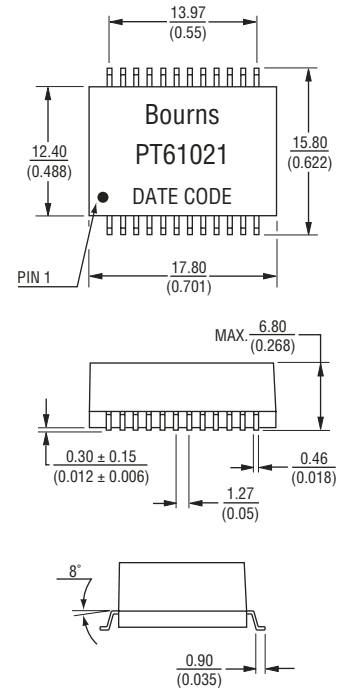
### How to Order

Model PT61021

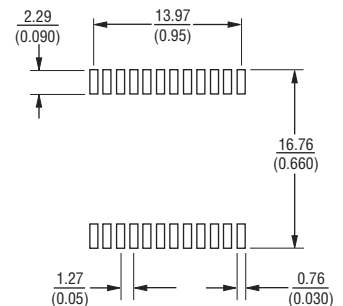
Termination \_\_\_\_\_

Blank = Tin-lead  
L = Tin only (lead free)

### Product Dimensions



### Recommended Layout



DIMENSIONS:  $\frac{\text{MM}}{\text{(INCHES)}}$

TOLERANCES:  $\pm \frac{0.25}{(0.010)}$



Reliable Electronic Solutions

#### Asia-Pacific:

TEL +886-2 25624117 • FAX +886-2 25624116

#### Europe:

TEL +41-41 7685555 • FAX +41-41 7685510

#### The Americas:

TEL +1-951 781-5500 • FAX +1-951 781-5700

[www.bourns.com](http://www.bourns.com)