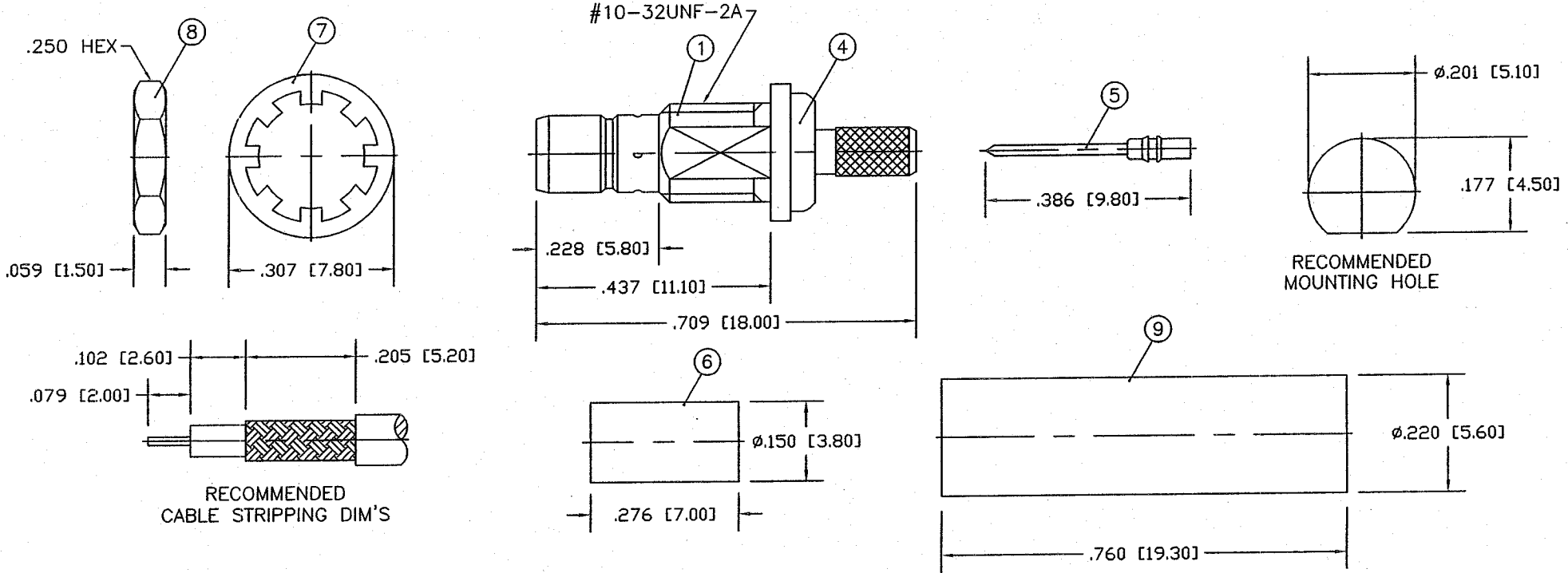


THIS DRAWING CONTAINS INFORMATION PROPRIETARY TO RF INDUSTRIES.  
 ANY UNAUTHORIZED USE OF THIS DRAWING IS EXPRESSLY PROHIBITED  
 WITHOUT WRITTEN PERMISSION FROM RF INDUSTRIES.  
 ANY VIOLATION IS PUNISHABLE UNDER U.S. COPYRIGHT LAWS.

PART NO. <b>RSB-221-1-179</b>		DWN	DATE	APPROVED
REV	DESCRIPTION	JDM	9/20/99	JDMc
-	ENGINEERING RELEASE			



**SPECIFICATIONS:**

IMPEDANCE: 75 OHMS

1. CRIMPED FERRULE  
 HEX CRIMP SIZE .128"

MINI 75 OHM SMB CRIMP JACK

1	BODY	1	BRASS	GOLD, 3 MICRO
2	INSULATOR	1	PTFE	---
3	INSULATOR	1	PTFE	---
4	REAR BODY	1	BRASS	GOLD, 3 MICRO
5	PIN	1	BRASS	GOLD, 30 MICRO
6	FERRULE	1	COPPER	GOLD, 3 MICRO
7	LOCK WASHER	1	BRASS	GOLD, 3 MICRO
8	HEX NUT	1	BRASS	GOLD, 3 MICRO
9	SHRINK TUBE	1		
10				
11				
12				
13				
14				
#	DESCRIPTION	QTY.	MATRL.	FINISH

008974	
DRAWN	12/7/00
D. McREYNOLDS	
CHECKED	12-7-00
ADM	
ORJ DRAWN	12/7/00
JDMc	
APPROVALS	DATE

UNLESS OTHERWISE SPECIFIED:  
 1. REMOVE ALL BURRS  
 2. BREAK ALL CORNERS & EDGES .005 R. MAX.  
 3. CHAMFER 1ST & LAST THREADS 45°  
 4. SURFACE ROUGHNESS 63 FINISH MIL-STD-10  
 5. DIAMETERS ON COMMON CENTERS TO BE CONCENTRIC WITHIN .002 T.I.R.  
 6. ALL DIMENSIONS ARE AFTER PLATING.

DIMENSIONS ARE IN INCHES AND [MILLIMETERS]  
 UNLESS OTHERWISE NOTED TOLERANCES ARE:  
 DECIMALS      DIAMETER  
 .XXX±.003 [.08]      .XXX±.001 [.03]  
 .XX±.005 [.13]      .XX±.003 [.08]

7610 MIRAMAR RD.  
 SAN DIEGO, CA 92126  
 (858) 549-6340  
 (858) 549-6345 FAX

**RFconnectors**  
 DIVISION OF RF INDUSTRIES, LTD.

<b>MINI SMB JACK</b>			
75 OHm, CRIMP			
SIZE	CABLE GROUP	DWG NO.	REV
A	S	RSB-221-1-179	-
SCALE: NTS		CAD FILE	SHEET 1 OF 1
		OUTLINE	