

DATA SHEET

# SKY65014-214LF: InGaP General-Purpose Amplifier LF-6 GHz

## Features

- Broadband: LF-6 GHz
- Small signal gain: 13.5 dB typ. @ 2 GHz
- High output 3rd order intercept: 36 dBm typ.
- $OP_{1\text{ dB}}$ : 18 dBm typ. @ 2 GHz
- Input and output impedance: 50  $\Omega$  nominal
- Single, positive DC supply voltage
- Plastic Micro-X package
- Available lead (Pb)-free and RoHS-compliant MSL-1 @ 250 °C per JEDEC J-STD-020

## Applications

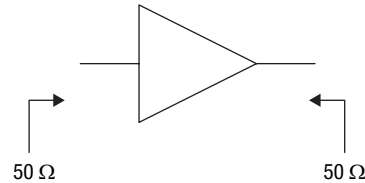
- Wireless infrastructure: WLAN, HLAN, DBS, broadband, cellular base stations
- Test instrumentation
- CATV

## Description


The SKY65014 is a general-purpose, broadband amplifier fabricated from Skyworks InGaP HBT process and packaged in a plastic Micro-X package. The amplifier's input and output impedances are 50  $\Omega$ , which allows these amplifiers to be cascaded without external impedance matching networks. The typical -3 dB bandwidth of the SKY65014 is DC-3 GHz.

This amplifier is also available in the miniature SC-88 package (SKY65014-92LF) and the SOT-89 package (SKY65014-70LF)

## Functional Block Diagram



**NEW** Skyworks offers lead (Pb)-free, RoHS (Restriction of Hazardous Substances)-compliant packaging.



The SKY65014 is lead (Pb)-free and RoHS-compliant.

A populated evaluation board is available upon request.

Full scattering parameters for this part are available for download at [www.skyworksinc.com](http://www.skyworksinc.com)

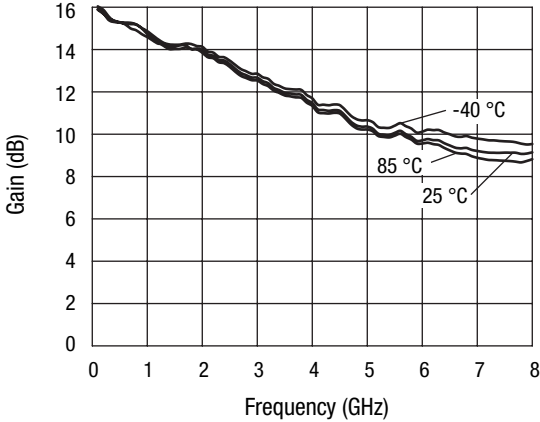
**Electrical Specifications at 25 °C**

**T = 25 °C, I<sub>C</sub> = 70 mA, P<sub>IN</sub> = 0 dBm, Z<sub>0</sub> = 50 Ω, measured in evaluation board, unless otherwise noted**

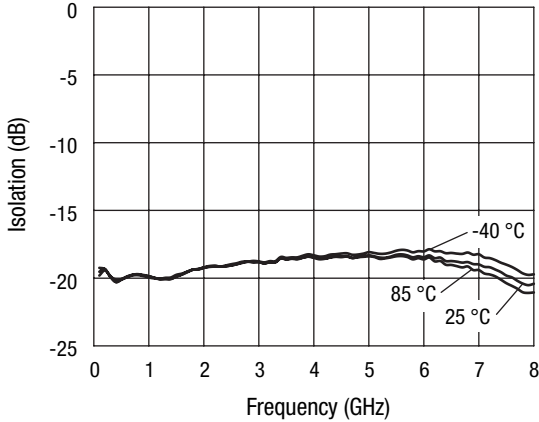
Parameter	Symbol	Condition	Frequency	Min.	Typ.	Max.	Unit
Small signal gain	GP		2 GHz	12.5	13.5	14.5	dB
3 dB gain bandwidth	BW <sub>3 dB</sub>				3		GHz
Noise figure	NF		2 GHz		4.6		dB
Output power at 1 dB compression	OP <sub>1 dB</sub>		2 GHz	17	18		dBm
Input and output VSWR	VSWR		0.1–6 GHz		1.9:1	2.0:1	
Output third order intercept point	OIP3	P <sub>IN</sub> = 0 dBm each tone, Δf = 10 MHz	2 GHz		36		dBm
Operating voltage	V <sub>D</sub>	Measured at pin 3		4.3	4.5	4.7	V
Reverse isolation	S <sub>12</sub>		0.1–6 GHz		16		dB
Gain flatness			10 MHz–3 GHz		±1.5		dB
Thermal resistance	θ <sub>JC</sub>				100		°C/W

**Typical Performance Data**

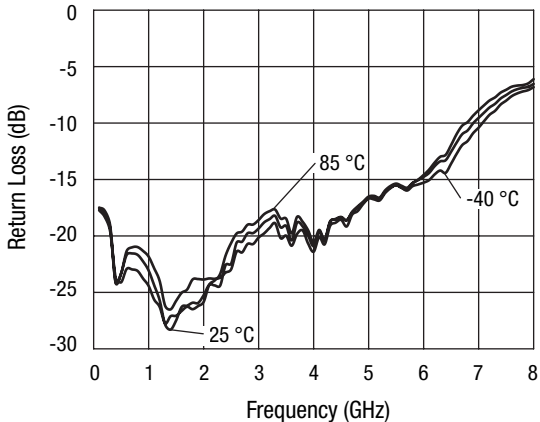
**Z<sub>0</sub> = 50 Ω, I<sub>C</sub> = 70 mA, measured in evaluation board, unless otherwise noted**



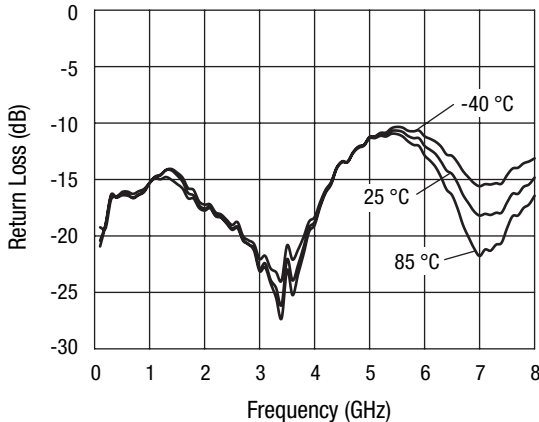
**Small Signal Gain vs. Frequency**



**Reverse Isolation vs. Frequency**



**Input Return Loss vs. Frequency**



**Output Return Loss vs. Frequency**

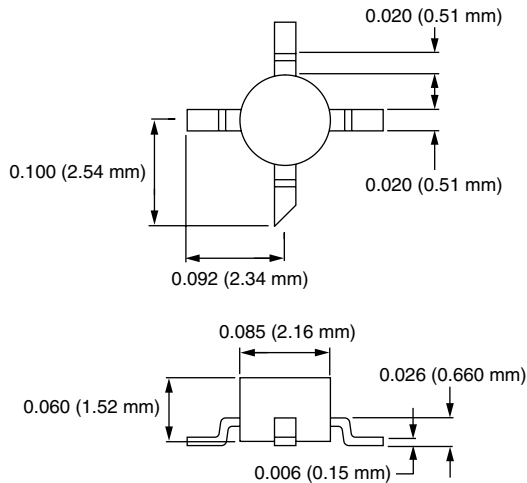
**Absolute Maximum Ratings**

Characteristic	Value
RF input power	15 dBm
Supply voltage	5 V
Supply current	120 mA
Power dissipation @ T = 25 °C	600 mW
Operating temperature	-45 °C to +85 °C
Storage temperature	-65 °C to +125 °C

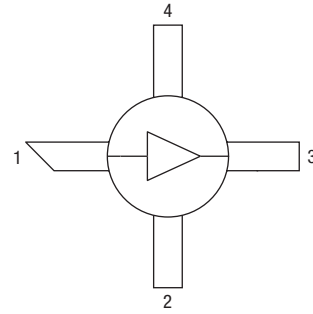
Performance is guaranteed only under the conditions listed in the specifications table and is not guaranteed under the full range(s) described by the Absolute Maximum specifications. Exceeding any of the absolute maximum/minimum specifications may result in permanent damage to the device and will void the warranty.

**CAUTION:** Although this device is designed to be as robust as possible, Electrostatic Discharge (ESD) can damage this device. This device must be protected at all times from ESD. Static charges may easily produce potentials of several kilovolts on the human body or equipment, which can discharge without detection. Industry-standard ESD precautions must be employed at all times.

**Micro-X**



**Pin Out (Top View)**



**Pin Descriptions**

Pin Number	Pin Name	Description
2, 4	GND	Equipotential point – Internal circuit common, which must be connected to the PCB ground or common via the lowest possible impedance.
1	Input	RF input – RF input with 50 Ω nominal input impedance. An internally generated DC voltage is present at this pin, so an external DC block should be used to connect this pin to the external circuit.
3	Output	RF output – DC supply voltage input and RF output with 50 Ω nominal output impedance. The nominal voltage required at this pin is listed in the Electrical Specifications Table. Supply current is determined by an external resistor connected between the DC power supply and this pin.

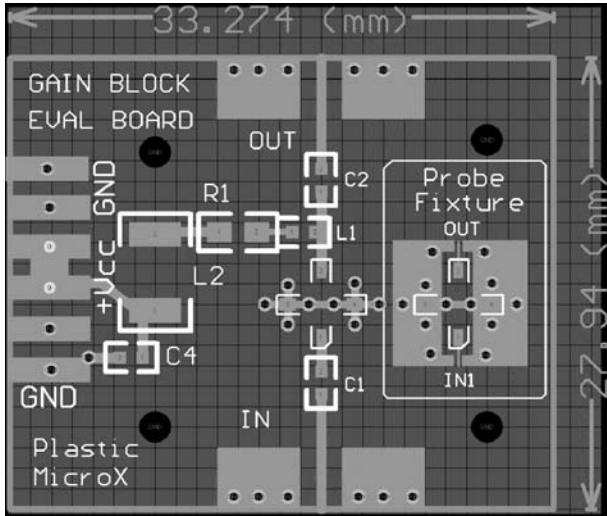
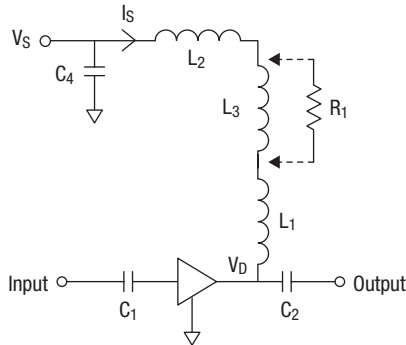
**Recommended Solder Reflow Profiles**

Refer to the “Recommended Solder Reflow Profile” Application Note.

**Tape and Reel Information**

Refer to the “Discrete Devices and IC Switch/Attenuators Tape and Reel Package Orientation” Application Note.

**Evaluation Board**



The SKY65014 evaluation board comprises the SKY65014 amplifier, the input and output of which are connected via 50 Ω microstrip transmission lines with DC blocking capacitors, C<sub>1</sub> and C<sub>2</sub>, to the input and output SMA connectors, respectively.

The positive supply voltage, V<sub>S</sub>, is connected to pin 3, RF output of the amplifier via the decoupling network which consists of C<sub>4</sub>, L<sub>1</sub>, L<sub>2</sub> and R<sub>1</sub>. The power supply current, I<sub>S</sub>, must be limited, either via the current limit function of an external bench power supply, or by replacing L<sub>3</sub> with resistor R<sub>1</sub>, the value of which is given in the Current Limiting Resistor Values Table. The evaluation board is shipped with L<sub>3</sub> in place, which shifts an in-band series resonance of the supply decoupling network out of band. For low frequency applications, R<sub>1</sub> may be used to conveniently limit supply current on the evaluation board.

The evaluation board also contains a probe fixture which facilitates the direct measurement of the s parameters of the SKY65014. The probe fixture comprises a very short coplanar waveguide (CPW) transmission line to pin 3 and an identical line to pin 1. All other pins of the amplifier are grounded. The CPW transmission lines are compatible with ground-signal-ground wafer probe tips, which can be connected to the RF ports of a vector network analyzer (VNA) via coaxial cables. The very small electrical length of these CPW transmission lines obviates the need to de-embed their effects from the s parameters that are measured. The supply constant current must be applied via the bias tee, which is typically integrated into the VNA, which is cascade with the output pin of the amplifier.

**Evaluation Board Parts List**

Component	Description	Value	Size	Suggested Part Number	Comments
C <sub>1</sub> , C <sub>2</sub> , C <sub>4</sub>	Capacitor	47 nF	0603		
L <sub>1</sub>	Inductor	33 nH	0603		
L <sub>2</sub>	Ferrite bead			FBMH4525HM162N-T	
R <sub>1</sub>	Resistor	See Current Limiting Resistor Values Table	0603		For V <sub>S</sub> = 6 V
U <sub>1</sub>	Amplifier			SKY65014	

**Current Limiting Resistor Values**

V <sub>S</sub> , V	R <sub>1</sub> Resistance, Ω	Minimum Power Dissipation Rating, mW
5	4	125
6	19	125
7	33	250
8	47	500
9	61	500
10	76	500
12	104	1000