

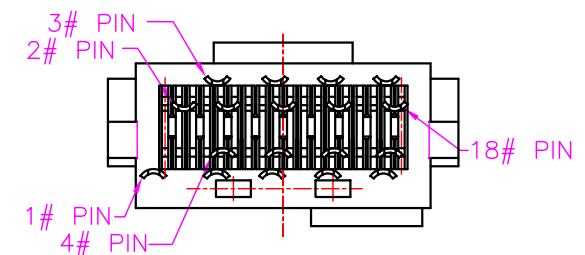
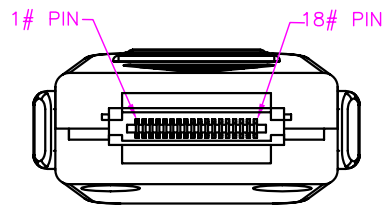
REV.	ECN NO.	DATE
A	RELEASE	Jun14,2003
B	03'0703	Jul 03,2003
C	03'1220	Dec 17,2003
D	04'0606	Jun 04,2004
E	04'1133	Nov 30,2004

**ORDERING INFORMATION**

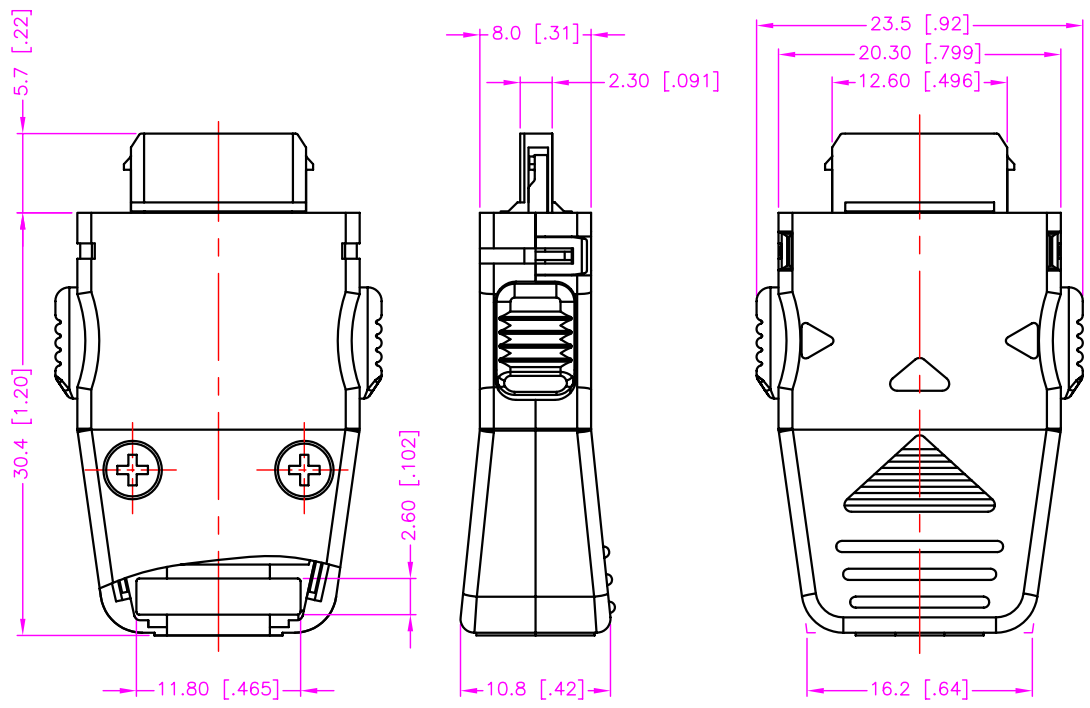
6110018-002

SERIES CODE | FOLLOW NUMBER  
 SOLDER | CONTACT PLATING:  
 FEMALE | 0: GOLD FLASH

NUMBER OF POSITIONS



CIRCUITS ARRAY

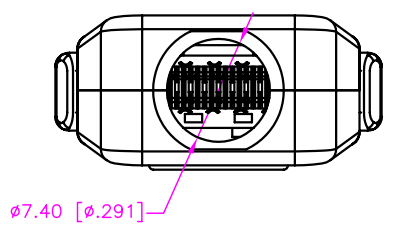


**MATERIALS :**

- HOUSING MATERIALS: THERMOPLASTIC(UL94V-0) ,BLACK
- CONTACTS: COPPER ALLOY. (t=0.2mm)  
GOLD PLATED ON CONTACT AREA .  
TIN/LEAD PLATED ON SOLDER TAILS  
UNDER NICKEL PLATED.
- LOCKING LATCH: STAINLESS STEEL. (t=0.4mm)
- SCREW: STEEL.M2\*6.0
- BUTTON: THERMOPLASTIC(UL94V-0). GRAY
- COVER: THERMOPLASTIC(UL94V-0). BLACK

**SPECIFICATIONS :**

- CURRENT RATING:0.5 A MAX.
- INSULATION RESISTANCE:  
1000 M $\Omega$  MIN AT 250V DC.
- DIELECTRIC WITHSTANDING VOLTAGE:  
250V (r.m.s) AC AT 0.5mA FOR 1 MINUTE.
- CONTACT RESISTANCE:  
50 m $\Omega$  MAX.
- OPERATING TEMPERATURE:  
-40°C ~ +85°C.



<b>TOLERANCE</b> .0=±0.38 [.015] .00=±0.25 [.010] .000=±.15[0.006] .0000=±. ANG.=±3°		<b>DRAWER</b> <i>FOY</i> <b>CHECK</b> <i>BRP</i> <b>APP'D</b> <i>MUS</i> <b>PRODUCT SPEC.</b> —	 <b>ASTRON TECHNOLOGY CORP.</b> NAME 0.5PH PLUG IN 18P(TYPE II) (WITHOUT POLARITY)
<b>UNITS : mm [inch]</b>	<b>DRAW NO.</b> R6110018-002		
<b>SCALE</b> NONE	<b>SIZE</b> A4	<b>SHEET</b> 1 OF 1	<b>REV.</b> E