

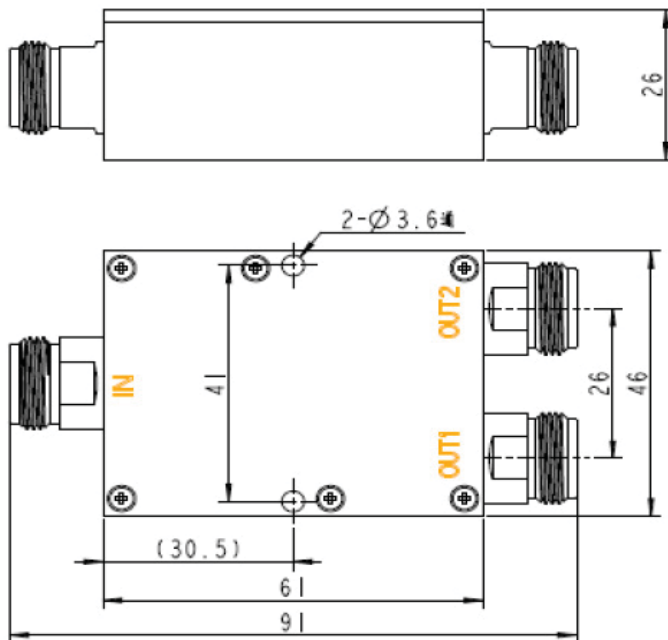
GPS \$ Saver Product

- ◆ 698 - 2,700 MHz Multi-Band Frequency Range with one DC Path Blocked
- ◆ 10 W Power Rating
- ◆ Low RF Insertion Loss
- ◆ 20 dB Isolation
- ◆ RoHS compliant
- ◆ Low Cost N Design



Model Number	No. of Ways	Split Loss	Output Isolation	Insertion Loss, max.	Amplitude Balance	VSWR All Ports	Power Rating*	Weight nom.
D2-79FN	2	3 dB	>20 dB	0.4 dB	<0.3 dB	<1.25:1	10W avg.	6.6 (185)

*Used as divider into load(s) with VSWR <1.2:1



Microlab Model D2-79FN Wilkinson style 2 way Power Divider is based on the D2-69FN. It has been designed for GPS applications, which require only one signal path to pass DC. The unit has broad frequency coverage from 698 to 2700 MHz, and offers high output isolation and good VSWR.

Similar units with a single DC path are available to order in 3, 4, 6 & 8 ways and with SMA connectors. (08/12)

Bandwidth: 698 - 2,700 MHz
 DC Path: Output 1 only, 200mA max.
 Impedance: 50Ω nominal
 Environment: -30 to +60°C, Indoor
 Housing: Passivated Aluminum
 Connectors: N (f) triplate