

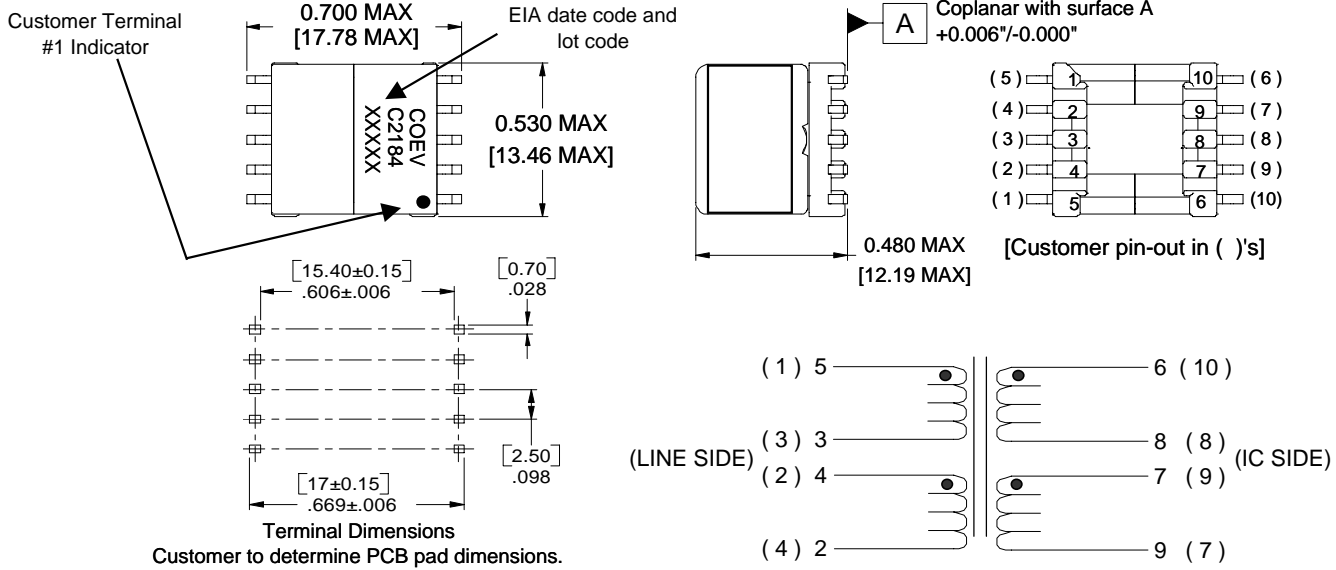
# C2184

REV  
D



### Product Description

### ADSL Line Coupling Transformer, IEC60950 Supplementary 250V 850uH, 1:1 (Line : IC), SMD EP 13



Information subject to change without notice. 08/02

Primary units are in inches. Millimeters are in brackets.

### Electrical Specifications at +20°C unless noted otherwise

Test Description	Limit	Units	Tol	Notes
Inductance	0.85	mH	±5%	5-2 tie( 3+4 ), 10kHz, 100mVAC, 0DC, Ls.
Leakage Inductance	5.50	µH	Max.	5-2 tie( 3+4, 8+7, 6-9 ), 100kHz, 100mVAC, Ls.
DC Resistance	0.34	Ω	±10%	6-8
DC Resistance	0.62	Ω	±10%	5-3
DC Resistance	0.62	Ω	±10%	4-2
DC Resistance	0.46	Ω	±10%	7-9
Turns Ratio	1.00: 1	Ω	±1%	( 5-2 ) : ( 6-9 ) tie( 8+7, 3+4 ), 10KHz, 100mVAC.
Dielectric	1,875	VAC	500µA	5-6 tie( 3+4, 8+7 ), 1 second test, 500µA maximum leakage current.
Total Harmonic Distortion	90.00	dB	Max.	40kHz, 2.5Vrms [ 7.07 Vp-p ], Line : IC
Insertion Loss	0.50	dB	Max.	100kHz.
Frequency Response	±0.5	dB	----	100kHz Reference.
Longitudinal Balance (ITU)	40.00	dB	Min.	30kHz - 1.1MHz, Gnd pin 6 or 9.

### Agency Approvals

BABT	Certificate No. NC/011347	Japan (via CB Cert.)	Certif. No. 11984
UL1950	File E189690	Austel (via CB Cert.)	Certif. No. 11984
CSA 950 (via UL/CUL)	File E189690	Sweden (via CB Cert.)	Certif. No. 11984
IEC 60950 (via CB Cert.)	Certificate No. 11984	Norway (via CB Cert.)	Certif. No. 11984

## BABT

The information contained in this drawing is the sole property of CoEv, Inc. Any reproduction or use without the written permission of CoEv, Inc. is prohibited.

TEL 888-978-2638 - FAX 605-886-8995 - Specifications subject to change without notice. For latest revision visit [www.tycopowercomponents.com](http://www.tycopowercomponents.com)