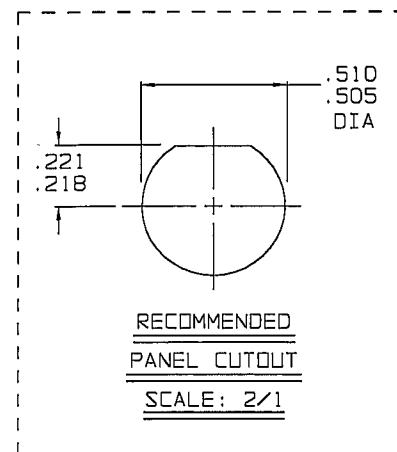
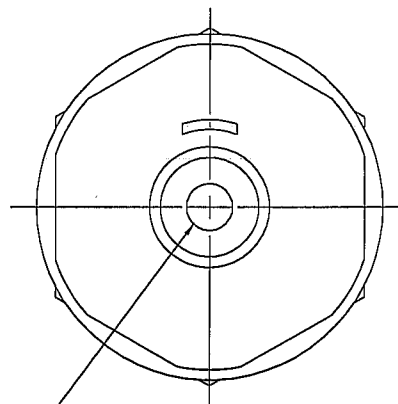
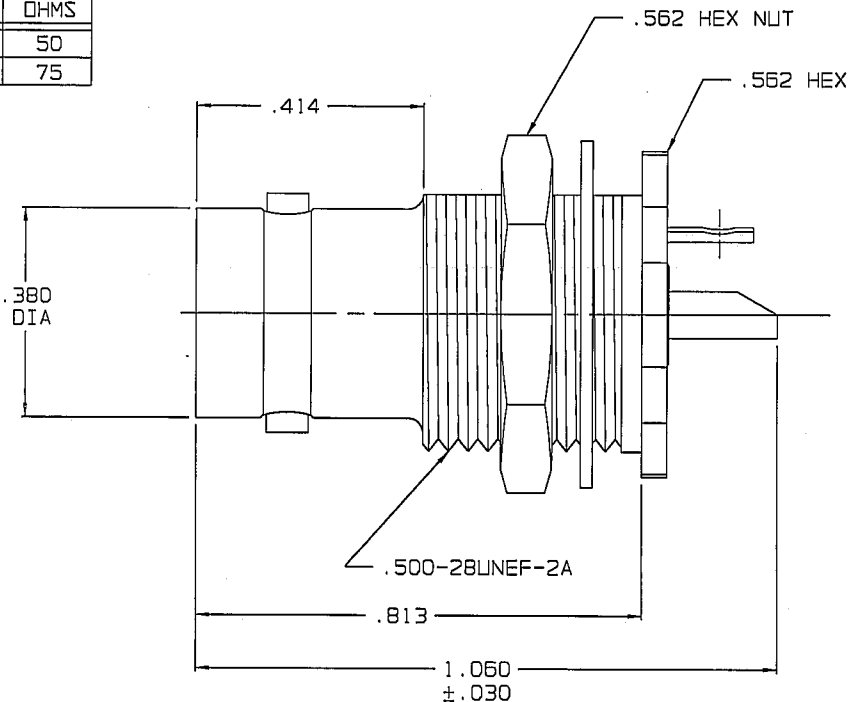


DATA CONTAINED IN THIS DOCUMENT IS PROPRIETARY TO TROMPETER ELECTRONICS, INC. AND SHALL NOT BE DISCLOSED, COPIED OR USED FOR PROCUREMENT OR MANUFACTURE WITHOUT EXPRESS WRITTEN PERMISSION OF TROMPETER ELECTRONICS, INC.

REVISIONS		105-1402	SH 1
REV	DESCRIPTION	DATE	APPROVED
B	REVISED PER ECO 15171	11/12/03	WJ

MODEL NO.	IMP OHMS
BJ23	50
UBJ23	75



RED INDICATES ORIGINAL

4. 50/75 OHM COAXIAL REAR MOUNT NON-INSULATED 2-LUG BNC TYPE SOLDER POT BULKHEAD RECEPTACLE
3. MAX PANEL THK: .147
2. FINISH: TFS-1A (NICKEL)
1. ALL DIM ARE IN INCHES

INTERPRET DRAWING PER MIL-STD-100 DIMENSIONS ARE IN INCHES AND INCLUDE FINISH THICKNESS UNLESS OTHERWISE SPECIFIED		TOL.: UNLESS SPECIFIED .XX .XXX ±.005 .XXXX ±.0010 ANGLES ±0°30'	
DRAWN AAH	DATE 11-10-03	MATERIAL:	TITLE:
CHECKED T.K.H.	DATE 11/12/03	FINISH:	U/BJ23
QUALITY WJ	DATE 11/12/03		
HANDL WJ	DATE 11/12/03		
APPROVED WJ	DATE 11/12/03		
CAD FILE NO. 105-1402B		DO NOT SCALE DWG	



SIZE	CAGE CODE	DRAWING NO.	REV.
A	14949	105-1402	B
SCALE	NONE	DATE:	SHEET
		3-12-92	1C

NEXT ASSY