
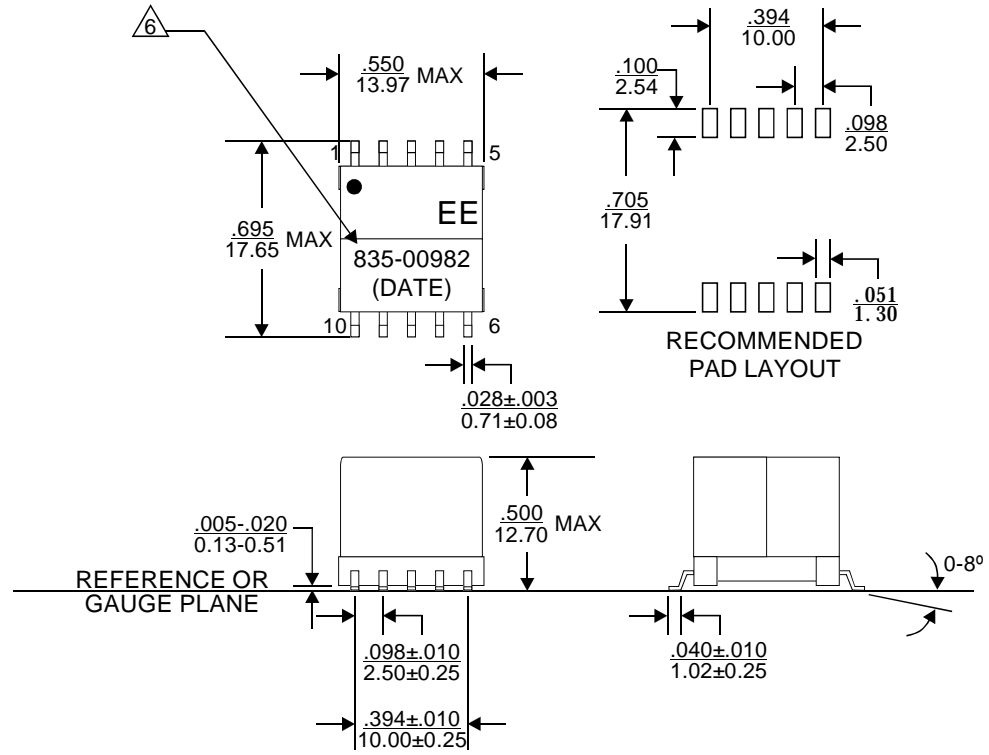


REVISIONS			
REV.	DESCRIPTION	ECN NO.	DATE
01	FIRST RELEASE	N/A	03/31/08

PAGE 4 IS FOR INTERNAL ONLY

PART NUMBER		PART DESCRIPTION		TITLE											
835-00982		Standard version, with Lead(Pb)		TRANSFORMER, FLYBACK, SMT, 10 PIN											
835-00982F		RoHS compliant per EU Directive 2002/95/EC(without exemption of solder content)													
<p align="center"><u>WARNING !</u></p> <p>ALL SHEETS OF THIS DOCUMENT ARE CONTROLLED DOCUMENTATION AND ARE NOT TO BE RELEASED OUTSIDE OF E&E OR ITS SUB-CONTRACTORS WITHOUT AUTHORIZATION.</p>		UNLESS OTHERWISE SPECIFIED, DIMENSIONS ARE IN INCH/mm.		APPROVALS											
		<p align="center"><u>TOLERANCE ARE:</u></p> <table border="0"> <tr> <td>INCH</td> <td>mm</td> <td>ANGLE</td> </tr> <tr> <td>.XXX ± .005</td> <td>.XX ± 0.13</td> <td>X.X ± 0.3</td> </tr> <tr> <td>.XX ± .02</td> <td>.X ± 0.5</td> <td>X. ± 1</td> </tr> </table>		INCH	mm	ANGLE	.XXX ± .005	.XX ± 0.13	X.X ± 0.3	.XX ± .02	.X ± 0.5	X. ± 1	DATE		 <p>E & E Magnetic Products Ltd.</p>
		INCH	mm	ANGLE											
		.XXX ± .005	.XX ± 0.13	X.X ± 0.3											
		.XX ± .02	.X ± 0.5	X. ± 1											
DRAWN BY		W.P. CHENG		03/31/08											
PROJ. ENG		W.P. CHENG		03/31/08											
APPROVED BY		V. TSUI		03/31/08											
Q.A.		C.M. TSUI		03/31/08											
DRAWING NO./MODEL		835-00982		REV											
SCALE		DO NOT SCALE		1											
PAGE		OF		4											



1. Dimension are specified in $\frac{\text{inches}}{\text{mm}}$ with higher precedence in mm.
 2. Unless otherwise specified, all tolerance are $\pm \frac{.010}{0.25}$.
 3. Coplanarity: $\frac{.004}{0.10}$ max.
 4. "(DATE)" includes at least the manufacturing date code(in YYWW format) plus two character country code.
 5. Dimensions are to be measured in accordance with JEDEC standard 95-1.
6. For RoHS compliant version, 835-00982F, the part will be marked with "835-00982F", instead of "835-00982".

MECHANICAL OUTLINE



E & E Magnetic Products Ltd.

DRAWING NO./MODEL

835-00982

REV

01

SCALE

DO NOT SCALE

PAGE

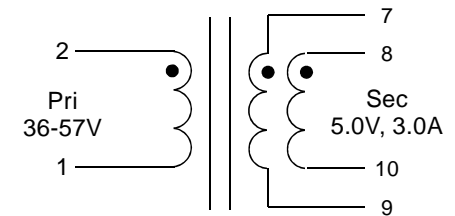
2

OF

4

ELECTRICAL SPECIFICATION @25°C:

PARAMETERS	UNIT	LIMITS
Turns Ratio(2-1):(7/8-9/10)	-	5 : 2 ± 2%
Polarity	-	Per Schematic
Inductance, Ls(2-1)@200kHz, 0.2Vrms, 0A _{dc}	uH	40 ± 10%
Inductance, Ls(2-1)@200kHz, 0.2Vrms, 2.0A _{dc}	uH	36 Min
DCR(2-1)	Ω	.108 Max
DCR(7-9)	Ω	.040 Max
DCR(8-10)	Ω	.040 Max
HIPOT(2-1):(7-8-9-10), 1 minute	Vrms	1500 Min
LL(2-1), short 7-8-9-10@200kHz, 0.2Vrms	uH	0.621 Max



SCHEMATIC

7. Operating temperature: -40°C to +85°C.
8. Output of the secondary is with the windings connected in parallel.
9. The transformer is designed to meet operational insulation only.



E & E Magnetic Products Ltd.

DRAWING NO./MODEL		REV
835-00982		01
SCALE	PAGE	OF
DO NOT SCALE	3	4