



SANYO Semiconductors

DATA SHEET

LA74320FN — Monolithic Linear IC Audio I/O Interface for Cell Phone

Overview

The LA74320FN is an audio I/O interface IC for cell phones that integrates, on a single chip, amplifiers for a stereo speaker, EVR stereo headphone, internal and external microphones, and a receiver speaker.

Features

- INT & EXT MIC amplifiers selectable (MIC power supply built-in)
- ALC amplifier (ALC level: 3 levels selectable)
- Base band/audio source input selector switch
- ALC (through switch, ALC level: 4 levels selectable)
- EVR stereo headphone amplifier
- Stereo speaker amplifier
- Receiver speaker amplifier (mono) standby control
- I²C bus supported (first mode)

Specifications

Maximum Ratings at Ta=25°C

Parameter	Symbol	Conditions	Ratings	Unit
Supply voltage	V _{CC} max		5.5	V
Allowable power dissipation	Pd max	Ta≤70°C, Mounted on a specified board *1	TBD	mW
Operating temperature	Topr		-20 to +70	°C
Storage temperature	Tstg		-55 to +150	°C

*1: Mounted on a specified board: TBD

■ Any and all SANYO Semiconductor Co.,Ltd. products described or contained herein are, with regard to "standard application", intended for the use as general electronics equipment (home appliances, AV equipment, communication device, office equipment, industrial equipment etc.). The products mentioned herein shall not be intended for use for any "special application" (medical equipment whose purpose is to sustain life, aerospace instrument, nuclear control device, burning appliances, transportation machine, traffic signal system, safety equipment etc.) that shall require extremely high level of reliability and can directly threaten human lives in case of failure or malfunction of the product or may cause harm to human bodies, nor shall they grant any guarantee thereof. If you should intend to use our products for applications outside the standard applications of our customer who is considering such use and/or outside the scope of our intended standard applications, please consult with us prior to the intended use. If there is no consultation or inquiry before the intended use, our customer shall be solely responsible for the use.

■ Specifications of any and all SANYO Semiconductor Co.,Ltd. products described or contained herein stipulate the performance, characteristics, and functions of the described products in the independent state, and are not guarantees of the performance, characteristics, and functions of the described products as mounted in the customer's products or equipment. To verify symptoms and states that cannot be evaluated in an independent device, the customer should always evaluate and test devices mounted in the customer's products or equipment.

SANYO Semiconductor Co., Ltd.

TOKYO OFFICE Tokyo Bldg., 1-10, 1 Chome, Ueno, Taito-ku, TOKYO, 110-8534 JAPAN

LA74320FN

Operating Conditions at Ta = 25°C

Parameter	Symbol	Conditions	Ratings	Unit
Recommended supply voltage (V _{CCA})	V _{CCA}		3.0	V
Recommended supply voltage (V _{CCHP})	V _{CCHP}		3.0	V
Recommended supply voltage (V _{CCSP})	V _{CCSP}		3.6	V
Allowable operating voltage range (V _{CCA})	V _{CCAop}		2.7 to 3.6	V
Allowable operating voltage range (V _{CCHP})	V _{CCHPop}		2.7 to 3.6	V
Allowable operating voltage range (V _{CCSP})	V _{CCSPop}	*2	2.7 to 5.0	V

*2: Take care not to exceed Pd max.

Electrical Characteristics at Ta=25°C, V_{CCA}=V_{CCHP}=3.0V, V_{CCSP}=5.0V, f=1kHz, ALC1 LEVEL=-17dBV MODE, ALC2 LEVEL=-11dBV MODE

No.	Parameter	Symbol	Conditions	Ratings			Unit
				min	typ	max	
Circuit current							
1	V _{CCA} current dissipation	I _{CCA}	V _{CCA} =3.0V, MIC1 ON, audio source system (stereo) OFF, receiver system ON		9.5		mA
2	V _{CCA} STANDBY current dissipation	I _{CCAS}	V _{CCA} =3.0V, 0V applied to STANDBY pin		0		μA
3	V _{CCHP} current dissipation 1	I _{CCHP1}	V _{CCHP} =3.0V: Receiver SPK AMP POWER SAVE MODE		8.5		mA
4	V _{CCHP} current dissipation 2	I _{CCHP2}	V _{CCHP} =3.0V: H/P AMP POWER SAVE MODE		2.7		mA
5	V _{CCHP} STANDBY current dissipation	I _{CCHPs}	V _{CCHP} =3.0V, 0V applied to STANDBY pin		0		μA
6	V _{CCSP} current dissipation 1	I _{CCSP1}	V _{CCSP} =5.0V: SPK POWER ON MODE		12.1		mA
7	V _{CCSP} current dissipation 2	I _{CCSP2}	V _{CCSP} =5.0V: SPK POWER SAVE MODE		0.3		mA
8	V _{CCSP} STANDBY current dissipation	I _{CCSPs}	V _{CCSP} =5.0V, 0V applied to STANDBY pin		0		μA
MIC output system							
9	INT MIC voltage gain	VGIMIC	INT MIC input, V _{IN} =-29dBV		10		dB
10	INT MIC output distortion	HDIMIC	INT MIC input, V _{IN} =-29dBV, THD: from 2nd to 5th harmonic		0.03		%
11	INT MIC output noise voltage	VNIMIC	INT MIC no input, JIS-A Filter		-100		dBV
12	INT MIC maximum input level	VMIMIC	INT MIC input, INT MIC input level at which up to 5th order distortions of MIC output are reduced to 3% or less			-20	dBV
13	INT MIC supply voltage	VVIMIC	At 6.2kΩ load		1.7		V
14	EXT MIC voltage gain	VGEMIC	EXT MIC input, V _{IN} =-29dBV		10		dB
15	EXT MIC output distortion	HDEMIC	EXT MIC input, V _{IN} =-29dBV, THD: from 2nd to 5th harmonic		0.03		%
16	EXT MIC output noise voltage	VNEMIC	EXT MIC no input, JIS-A Filter		-100		dBV
17	EXT MIC maximum input level	VMEMIC	EXT MIC input, EXT MIC input level at which up to 5th order distortions of MIC output are reduced to 3% or less			-20	dBV
18	EXT MIC supply voltage	VVEMIC	At 6.2kΩ load		1.7		V
REC output system: ALC1 level=-17dBV mode							
19	REC reference output level	VOREC	ALC1 input, V _{IN} =-40dBV		-16.5		dBV
20	REC reference output distortion	HDREC	ALC1 input, V _{IN} =-40dBV, THD: from 2nd to 5th harmonic		0.03		%
21	ALC1 level characteristics	VOALC1	ALC1 input, V _{IN} =-14dBV (reference+26dB)		-10		dBV
22	ALC1 distortion characteristics	VDALC1	ALC1 input, V _{IN} =-14dBV (reference+26dB), THD: from 2nd to 5th harmonic		0.3		%
23	REC output noise voltage	VNOR	ALC1 no input, JIS-A Filter		-83		dBV
24	ALC1 maximum input level	VMXALC	ALC1 input, ALC1 input level at which up to 5th order distortions of REC output are reduced to 3% or less			-10	dBV

Continued on next page.

LA74320FN

Continued from preceding page.

No.	Parameter	Symbol	Conditions	Ratings			unit
				min	typ	max	
EVR output system: ALC2 level=-11dBV mode							
25	EVR reference output level 1 (V _O =Max)	VOEVR1	Audio source pin input, V _{IN} =-25dBV, EVR=Max		-17.3		dBV
26	EVR reference output distortion	HDEVR	Audio source pin input, V _{IN} =-25dBV, EVR=Max, THD: from 2nd to 5th harmonic		0.003		%
27	EVR reference output level 2 (V _O =Typ)	VOEVR2	Audio source pin input, V _{IN} =-25dBV, EVR=Typ (5Bit: 11011)		-22.5		dBV
28	EVR reference output level 3 (V _O =Min)	VOEVR3	Audio source pin input, V _{IN} =-25dBV, EVR=Min, JIS-A Filter		-96		dBV
29	EVR maximum input level	VMXEVR	ALC2=Through MODE, audio source input level at which up to 5th order distortions of EVR output are reduced to 3% or less			-3	dBV
H/P output system: Measured at HP load = 16Ω, ALC2=Through mode							
30	H/P reference output level	VOHP	Base band input, V _{IN} =-11dBV, EVR=Max		-19		dBV
31	H/P reference output distortion	HDHP	Base band input, V _{IN} =-11dBV, THD: from 2nd to 5th harmonic		0.1		%
32	H/P output noise voltage	VNHP	No base band input, EVR=Max, JIS-A Filter		-100		dBV
33	H/P maximum input level	VMXHP	Base band input, base band input level at which up to 5th order distortions of H/P output are reduced to 3% or less			-10	dBV
SPK output system: Measured at SPK load = 8Ω, ALC2 level=-11dBV mode							
34	SPK reference output level	VOSPK	Audio source pin input, V _{IN} =-30dBV, V _O =Max		-4		dBV
35	SPK reference output distortion	VDSPK	Audio source pin input, V _{IN} =-30dBV, V _O =Max, THD: from 2nd to 5th harmonic		0.9		%
36	SPK output noise voltage	VNSPK	No input at audio source pin, EVR=Max, JIS-A Filter		-70		dBV
37	SPK maximum output power	VMXSPK	Audio source pin input, SPK output power at which up to 5th order distortions of SPK output are reduced to 3% or less, ALC2=Through MODE		1000		mW
38	SPK ALC level 1	VOSPK1	Audio source pin input, V _{IN} =-10dBV, V _O =Max, LC2=-13dBV MODE		4.5		dBV
39	SPK ALC level 2	VOSPK2	Audio source pin input, V _{IN} =-10dBV, V _O =Max, ALC2=-12dBV MODE		5.5		dBV
40	SPK ALC level 3	VOSPK3	Audio source pin input, V _{IN} =-10dBV, V _O =Max, ALC2=-11dBV MODE		6.4		dBV
41	SPK ALC level 4	VOSPK4	Audio source pin input, V _{IN} =-10dBV, V _O =Max, ALC2=-10.5dBV MODE		7		dBV
Receiver SPK output system: Measured at SPK load = 32Ω							
42	Receiver SPK reference output level 1 (V _O =Max)	VORSP1	Base band input, V _{IN} =-22dBV, V _O =Max		-4		dBV
43	Receiver SPK reference output distortion	VDRSP	Base band input, V _{IN} =-22dBV, V _O =Max, THD: from 2nd to 5th harmonic		0.9		%
44	Receiver SPK reference output level 2 (V _O =Typ)	VORSP2	Base band input, V _{IN} =-22dBV, V _O =Typ (5Bit: 11011)		-10		dBV
45	EVR reference output level 3 (V _O =Min)	VORSP3	Base band input, V _{IN} =-22dBV, EVR=Min, JIS-A Filter		-80		dBV
46	Receiver SPK output noise voltage	VNRSP	Base band no input, EVR=Max, JIS-A Filter		-80		dBV
47	Receiver SPK maximum output power	VMXRSP	Base band input, SPK output power at which up to 5th order distortions of SPK output are reduced to 3% or less		110		mW
Control system							
48	Serial CLOCK frequency	FCLK	I ² C bus first mode			400	kHz
49	Serial input LOW level	SERLO		0		0.6	V
50	Serial input HIGH level	SERHI		2.4		3.5	V

LA74320FN

Electrical Characteristic: Serial Communication Condition Table

No.	Symbol	Address(0 1)								Address(0 2)								Address(0 3)								Address(0 4)							
		D8	D7	D6	D5	D4	D3	D2	D1	D8	D7	D6	D5	D4	D3	D2	D1	D8	D7	D6	D5	D4	D3	D2	D1	D8	D7	D6	D5	D4	D3	D2	D1
1	ICCA	0	0	1	0	0	0	1	1	1	1	1	0	1	1	1	1	0	1	1	0	0	0	0	0	0	0	0	0	0	0		
2	ICCAS	0	0	1	0	0	0	1	1	1	1	1	0	1	1	1	1	0	1	1	0	0	0	0	0	0	0	0	0	0	0		
3	ICCHP1	1	1	1	1	0	0	0	0	0	0	1	0	0	0	1	1	0	0	0	0	0	0	0	0	1	1	1	0	0	0	0	
4	ICCHP2	1	1	1	1	0	0	1	1	1	1	1	0	1	1	1	1	0	1	1	0	0	0	0	0	0	0	0	0	0	0	0	
5	ICCHPS	1	1	1	1	0	0	0	0	1	1	1	0	1	1	1	1	0	1	1	0	0	0	0	0	0	0	0	0	0	0	0	
6	ICCSP1	1	1	1	1	0	0	1	1	0	0	1	0	0	0	0	0	0	0	0	0	0	0	0	0	1	1	1	0	0	0	0	
7	ICCSP2	1	1	1	1	0	0	1	1	0	0	1	0	0	0	1	1	0	0	0	0	0	0	0	0	1	1	1	0	0	0	0	
8	ICCSPS	1	1	1	1	0	0	1	1	0	0	1	0	0	0	1	1	0	0	0	0	0	0	0	0	1	1	1	0	0	0	0	
9	VGIMIC	0	0	1	0	0	0	1	1	1	1	1	0	1	1	1	1	0	1	1	0	0	0	0	0	1	1	1	0	0	0	0	
10	HDIMIC	0	0	1	0	0	0	1	1	1	1	1	0	1	1	1	1	0	1	1	0	0	0	0	0	1	1	1	0	0	0	0	
11	VNIMIC	0	0	1	0	0	0	1	1	1	1	1	0	1	1	1	1	0	1	1	0	0	0	0	0	1	1	1	0	0	0	0	
12	VMIMIC	0	0	1	0	0	0	1	1	1	1	1	0	1	1	1	1	0	1	1	0	0	0	0	0	1	1	1	0	0	0	0	
13	VVIMIC	0	0	1	0	0	0	1	1	1	1	1	0	1	1	1	1	0	1	1	0	0	0	0	0	1	1	1	0	0	0	0	
14	VGEMIC	0	1	1	0	0	0	1	1	1	1	1	0	1	1	1	1	0	1	1	0	0	0	0	0	1	1	1	0	0	0	0	
15	HDEMIC	0	1	1	0	0	0	1	1	1	1	1	0	1	1	1	1	0	1	1	0	0	0	0	0	1	1	1	0	0	0	0	
16	VNEMIC	0	1	1	0	0	0	1	1	1	1	1	0	1	1	1	1	0	1	1	0	0	0	0	0	1	1	1	0	0	0	0	
17	VMEMIC	0	1	1	0	0	0	1	1	1	1	1	0	1	1	1	1	0	1	1	0	0	0	0	0	1	1	1	0	0	0	0	
18	VVEMIC	0	1	1	0	0	0	1	1	1	1	1	0	1	1	1	1	0	1	1	0	0	0	0	0	1	1	1	0	0	0	0	
19	VOREC	1	1	1	0	0	0	1	1	1	1	1	0	1	1	1	1	0	1	1	0	0	0	0	0	1	1	1	0	0	0	0	
20	HDREC	1	1	1	0	0	0	1	1	1	1	1	0	1	1	1	1	0	1	1	0	0	0	0	0	1	1	1	0	0	0	0	
21	VOALC1	1	1	1	0	0	0	1	1	1	1	1	0	1	1	1	1	0	1	1	0	0	0	0	0	1	1	1	0	0	0	0	
22	VDALC1	1	1	1	0	0	0	1	1	1	1	1	0	1	1	1	1	0	1	1	0	0	0	0	0	1	1	1	0	0	0	0	
23	VNOR	1	1	1	0	0	0	1	1	1	1	1	0	1	1	1	1	0	1	1	0	0	0	0	0	1	1	1	0	0	0	0	
24	VMXALC	1	1	1	0	0	0	1	1	1	1	1	0	1	1	1	1	0	1	1	0	0	0	0	0	1	1	1	0	0	0	0	
25	VOEVR1	1	1	1	1	0	0	1	1	0	0	1	0	0	0	1	1	0	0	0	1	1	1	1	1	1	1	1	0	0	0	0	
26	HDEVR	1	1	1	1	0	0	1	1	0	0	1	0	0	0	1	1	0	0	0	1	1	1	1	1	1	1	1	0	0	0	0	
27	VOEVR2	1	1	1	1	0	0	1	1	0	0	1	0	0	0	1	1	0	0	0	1	1	0	1	1	1	1	1	0	0	0	0	
28	VOEVR3	1	1	1	1	0	0	1	1	0	0	1	0	0	0	1	1	0	0	0	0	0	0	0	0	1	1	1	0	0	0	0	
29	VMXEVR	1	1	1	1	0	0	1	1	0	0	1	0	1	1	1	1	0	0	0	1	1	1	1	1	1	1	1	0	0	0	0	
30	VOHP	1	1	1	1	0	0	0	0	1	1	1	0	1	1	1	1	0	0	0	1	1	1	1	1	1	1	1	0	0	0	0	
31	HDHP	1	1	1	1	0	0	0	0	1	1	1	0	1	1	1	1	0	0	0	1	1	1	1	1	1	1	1	0	0	0	0	
32	VNHP	1	1	1	1	0	0	0	0	1	1	1	0	1	1	1	1	0	0	0	1	1	1	1	1	1	1	1	0	0	0	0	
33	VMXHP	1	1	1	1	0	0	0	0	1	1	1	0	1	1	1	1	0	0	0	1	1	1	1	1	1	1	1	0	0	0	0	
34	VOSPK	1	1	1	1	0	0	1	1	0	0	1	0	0	0	0	0	0	0	0	1	1	1	1	1	1	1	1	0	0	0	0	
35	VDSPK	1	1	1	1	0	0	1	1	0	0	1	0	0	0	0	0	0	0	0	1	1	1	1	1	1	1	1	0	0	0	0	
36	VNSPK	1	1	1	1	0	0	1	1	0	0	1	0	0	0	0	0	0	0	0	1	1	1	1	1	1	1	1	0	0	0	0	
37	VMXSPK	1	1	1	1	0	0	1	1	0	0	1	0	1	1	0	0	0	0	0	1	1	1	1	1	1	1	1	0	0	0	0	
38	VOSPK1	1	1	1	1	0	0	1	1	0	0	0	0	0	0	0	0	0	0	0	1	1	1	1	1	1	1	1	0	0	0	0	
39	VOSPK2	1	1	1	1	0	0	1	1	0	0	0	1	0	0	0	0	0	0	0	1	1	1	1	1	1	1	1	0	0	0	0	
40	VOSPK3	1	1	1	1	0	0	1	1	0	0	1	0	0	0	0	0	0	0	0	1	1	1	1	1	1	1	1	0	0	0	0	
41	VOSPK4	1	1	1	1	0	0	1	1	0	0	1	0	0	0	0	0	0	0	0	1	1	1	1	1	1	1	1	0	0	0	0	
42	VORSP1	1	1	1	1	0	0	1	1	1	1	1	0	1	1	1	1	0	1	1	0	0	0	0	0	0	0	0	1	1	1	1	
43	VDRSP	1	1	1	1	0	0	1	1	1	1	1	0	1	1	1	1	0	1	1	0	0	0	0	0	0	0	0	1	1	1	1	
44	VORSP2	1	1	1	1	0	0	1	1	1	1	1	0	1	1	1	1	0	1	1	0	0	0	0	0	0	0	0	1	1	0	1	
45	VORSP3	1	1	1	1	0	0	1	1	1	1	1	0	1	1	1	1	0	1	1	0	0	0	0	0	0	0	0	0	0	0	0	
46	VNRSP	1	1	1	1	0	0	1	1	1	1	1	0	1	1	1	1	0	1	1	0	0	0	0	0	0	0	0	1	1	1	1	
47	VMXRSP	1	1	1	1	0	0	1	1	1	1	1	0	1	1	1	1	0	1	1	0	0	0	0	0	0	0	0	1	1	1	1	

LA74320FN

Serial Data Specification (I²C bus communication)

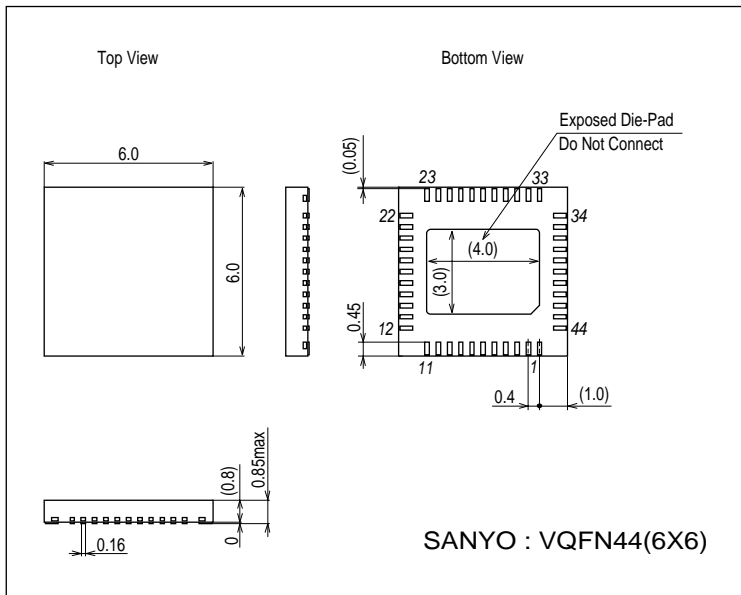
[Slave Address: 1 1 1 0 1 0 0 0]

Data byte (Underline is initial setting)																								
Address	MSB D8	D7		D5		D4	D3		D2	LSB D1														
(0 1) 00000001	MIC1 & 2 Power Save CTL MIC1 or 2 Input Select		ALC1 & REC AMP Power Save CTL ALC1 LEVEL=-21/-19/-17dBV CTL		ALC1 DET Discharge CTL		ALC2 DET Discharge CTL		Lch H/P Power Save CTL		Rch H/P Power Save CTL													
	D8,D7	0,0	0,1	1,0	<u>1,1</u>	D6,D5	0,0	0,1	1,0	<u>1,1</u>	D4	0	1	D3	0	1	D2	0	1	D1	0	1		
	MIC1	ON	OFF	OFF	<u>OFF</u>	-21dBV	-	-	-	-	ALC1 DET discharge	OFF	<u>ON</u>	ALC2 DET discharge	OFF	<u>ON</u>	Lch H/P	ON	<u>OFF</u>	Rch H/P	ON	<u>OFF</u>		
	MIC2	OFF	ON	OFF	<u>OFF</u>	-19dBV	-	-	-	-	ALC2 DET discharge	-	-	-	-	-	Lch H/P	ON	<u>OFF</u>	Rch H/P	ON	<u>OFF</u>		
(0 2) 00000010	Sound source & Base Band (B.B.) Input Select		ALC2 LEVEL =-13/-12/-11/-10.5dBV CTL		Lch ALC2 CTL Power Save & Through SW		Rch ALC2 CTL Power Save & Through SW		Lch Speaker Power Save CTL		Rch Speaker Power Save CTL													
	D8,D7	0,0	0,1	1,0	<u>1,1</u>	D6,D5	0,0	0,1	1,0	<u>1,1</u>	D4	0	1	D3	0	1	D2	0	1	D1	0	1		
	Lch Input SW	ON	ON	OFF	<u>OFF</u>	-13dBV	ON	-	-	-	ALC2	ON	<u>OFF</u>	ALC2	ON	<u>OFF</u>	Lch SPK Power	ON	<u>OFF</u>	Rch SPK Power	ON	<u>OFF</u>		
	Rch Input SW	ON	OFF	ON	<u>OFF</u>	-12dBV	-	ON	-	-	Through SW	OFF	<u>ON</u>	Through SW	OFF	<u>ON</u>	Lch SPK Power	ON	<u>OFF</u>	Rch SPK Power	ON	<u>OFF</u>		
(0 3) 00000011	VREF Charge CTL		Lch EVR Power Save CTL		Rch EVR Power Save CTL		EVR Setting (Sound source & Base Band) 5bit		EVR Setting (Receiver) 5bit															
	D8	0	1	D7	0	1	D6	0	1	D5	0	1	D4	0	1	D3	0	1	D2	0	1	D1	0	1
	VREF charge SW	OFF	ON	Lch EVR Power	ON	<u>OFF</u>	Rch EVR Power	ON	<u>OFF</u>	EVR D16 Gain	ATT	AMP	EVR D08 Gain	ATT	AMP	EVR D04 Gain	ATT	AMP	EVR D2 Gain	ATT	AMP	EVR D1 Gain	ATT	AMP
	Receiver Speaker Power Save CTL		Receiver Input Select SW		Receiver EVR Power Save CTL		EVR Setting (Receiver) 5bit		EVR Setting (Receiver) 5bit															
(0 4) 00000100	D8	0	1	D7	0	1	D6	0	1	D5	0	1	D4	0	1	D3	0	1	D2	0	1	D1	0	1
	Receiver Speaker	ON	<u>OFF</u>	Input Select SW	ON	<u>OFF</u>	Receiver EVR	ON	<u>OFF</u>	EVR D16 Gain	ATT	AMP	EVR D08 Gain	ATT	AMP	EVR D04 Gain	ATT	AMP	EVR D2 Gain	ATT	AMP	EVR D1 Gain	ATT	AMP

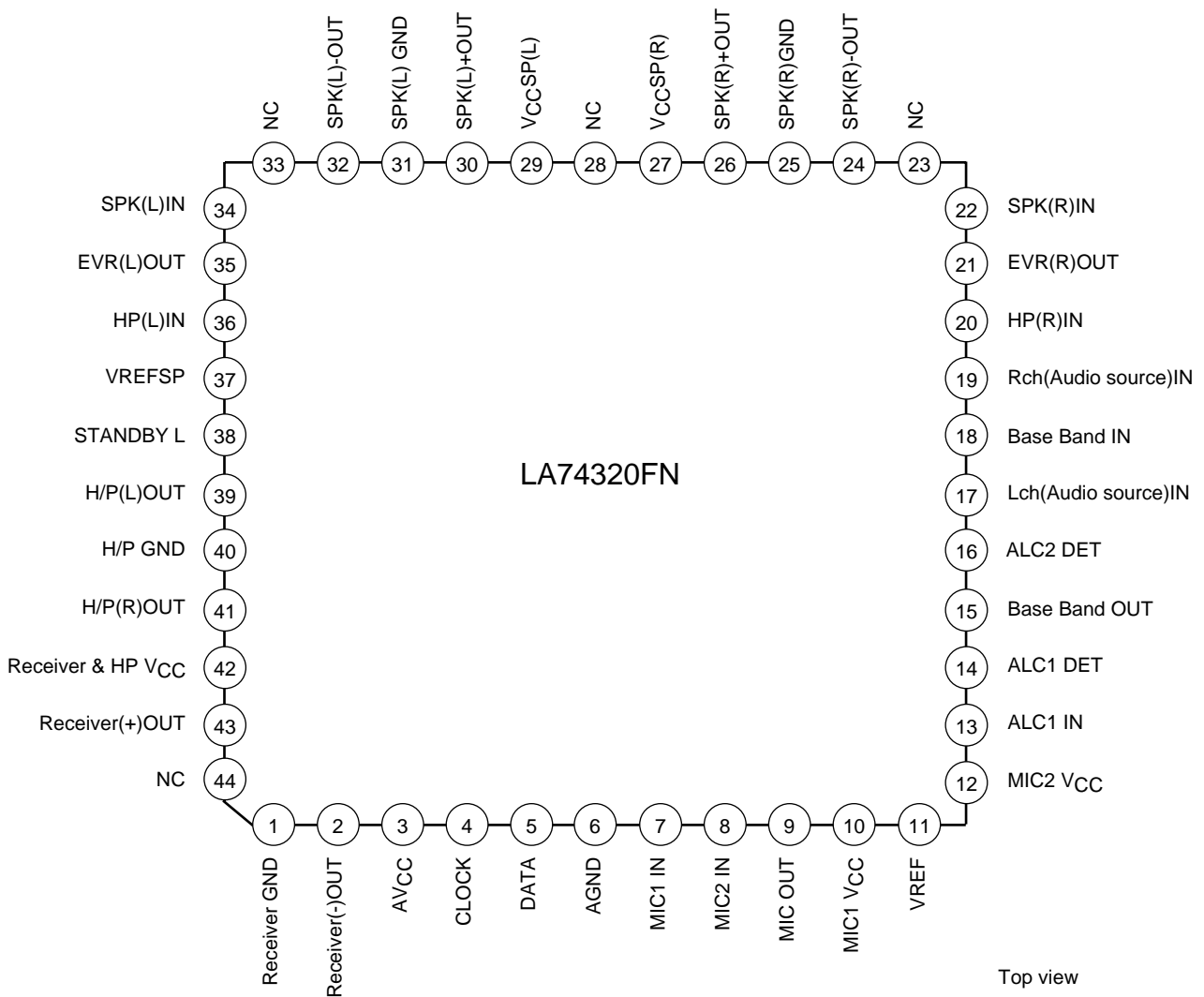
LA74320FN

Package Dimensions

unit : mm (typ)
3293



Pin Assignment



LA74320FN

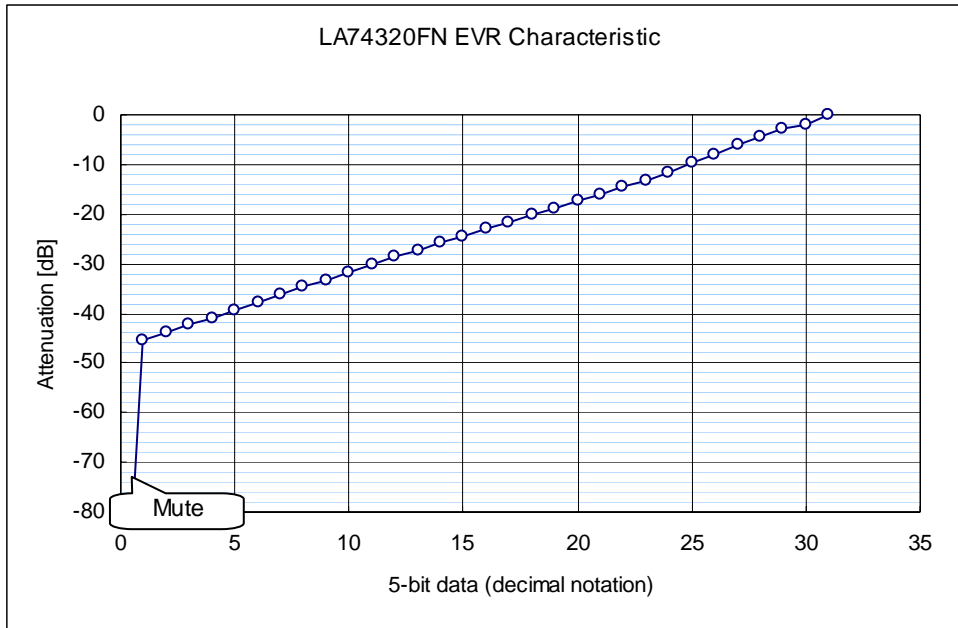


Table of Input/Output Forms

PIN	Pin Name	DC voltage	AC voltage	Description of functions	Equivalent circuit diagram in pin
1	Receiver GND	0V		Receiver GND	
2	Receiver (-) output	1.65V	Reference output level = -10dBV (@ EVR=Max. audio source input = -30dBV)	Receiver reverse phase output pin	
3	VCC A	3.0V		Power pin for analog signal part	
4	CLOCK			CLOCK input pin	
5	DATA			DATA input pin	
6	A GND	0V		GND pin for analog signal part	

Continued on next page.

LA74320FN

Continued from preceding page.

PIN	Pin Name	DC voltage	AC voltage	Description of functions	Equivalent circuit diagram in pin
7	MIC1 IN	1.5V	Reference input level =-50dBV Maximum input level =-20dBV	MIC1 input pin	
8	MIC2 IN	1.5V	Reference input level =-50dBV Maximum input level =-20dBV	MIC2 input pin	
9	MIC OUT	1.5V	Reference output level =-40dBV Maximum output level =-10dBV	MIC output pin	
10	MIC1 VCC	2.3V		MIC1 power pin	
11	VREF	2.3V		MIC VCC and VREF ripple rejection pin	

Continued on next page.

LA74320FN

Continued from preceding page.

PIN	Pin Name	DC voltage	AC voltage	Description of functions	Equivalent circuit diagram in pin
12	MIC2 VCC	2.3V		MIC2 power pin	
13	ALC1 IN		Reference output level =-40dBV Maximum output level =-10dBV	ALC1 input pin	
14	ALC1 DET			ALC1 detection pin	
15	Base_Band OUT	1.5V	Reference output level =-16dBV Maximum input level =-3dBV	Base band output pin	
16	ALC2 DET			ALC2 detection pin	

Continued on next page.

LA74320FN

Continued from preceding page.

PIN	Pin Name	DC voltage	AC voltage	Description of functions	Equivalent circuit diagram in pin
17	Lch audio source IN	1.5V	Reference output level =-15dBV Maximum input level =-3dBV	Lch audio input pin	
18	Base Band IN	1.5V	Reference output level =-16dBV Maximum output level =-10dBV	Base band input pin	
19	Rch audio source IN	1.5V	Reference output level =-15dBV Maximum input level =-3dBV	Rch audio source input pin	
20	Rch HP IN	1.5V	Reference output level =-16dBV (@Base band input) =-21dBV (@audio source input) Maximum input level =-10dBV (@Base band input) =-9dBV (@audio source input)	Rch HP input pin	
21	Rch EVR OUT	1.5V	Reference output level =-16dBV (@Base band input) =-21dBV (@audio source input) Maximum input level =-10dBV (@Base band input) =-9dBV (@audio source input)	Rch EVR output pin	

Continued on next page.

LA74320FN

Continued from preceding page.

PIN	Pin Name	DC voltage	AC voltage	Description of functions	Equivalent circuit diagram in pin
22	Rch SPK IN	1.65V	Reference output level =-16dBV (@Base band input) =-21dBV (@audio source input) Maximum input level =-10dBV (@Base band input) =-9dBV (@audio source input)	Rch Speaker input pin	
23	NC			NC pin	
24	Rch SPK(-)OUT	1.65V	Reference output level =-1dBV (@audio source input =-15dBV)	Rch speaker reverse phase output pin	
25	GND SPK(R)	0V		Rch speaker GND pin	
26	Rch SPK(+)OUT	1.65V	Reference output level =-1dBV (@audio source input =-15dBV)	Rch speaker normal phase output pin	
27	V _{CC} SP(R)	3.6V		Rch speaker power pin	
28	NC			NC pin	
29	V _{CC} SP(L)	3.6V		Lch speaker power pin	
30	Lch SPK(+)OUT	1.65V	Reference output level =-1dBV (@audio source input =-15dBV)	Lch speaker normal phase output pin	

Continued on next page.

LA74320FN

Continued from preceding page.

PIN	Pin Name	DC voltage	AC voltage	Description of functions	Equivalent circuit diagram in pin
31	GND SPK(L)	0V		Lch speaker GND	
32	Lch SPK(-)OUT	1.65V	Reference output level =-1dBV (@audio source input =-15dBV)	Lch speaker reverse phase output pin	
33	NC			NC pin	
34	Lch SPK IN	1.65V	Reference output level =-1dBV (@audio source input =-15dBV)	Lch speaker input pin	
35	Lch EVR OUT	1.5V	Reference output level =-16dBV (@Base band input) =-21dBV (@audio source input) Maximum input level =-10dBV (@Base band input) =-9dBV (@audio source input)	Lch EVR output pin	
36	Lch HP IN	1.5V	Reference output level =-16dBV (@Base band input) =-21dBV (@audio source input) Maximum input level =-10dBV (@Base band input) =-9dBV (@audio source input)	Lch HP input pin	

Continued on next page.

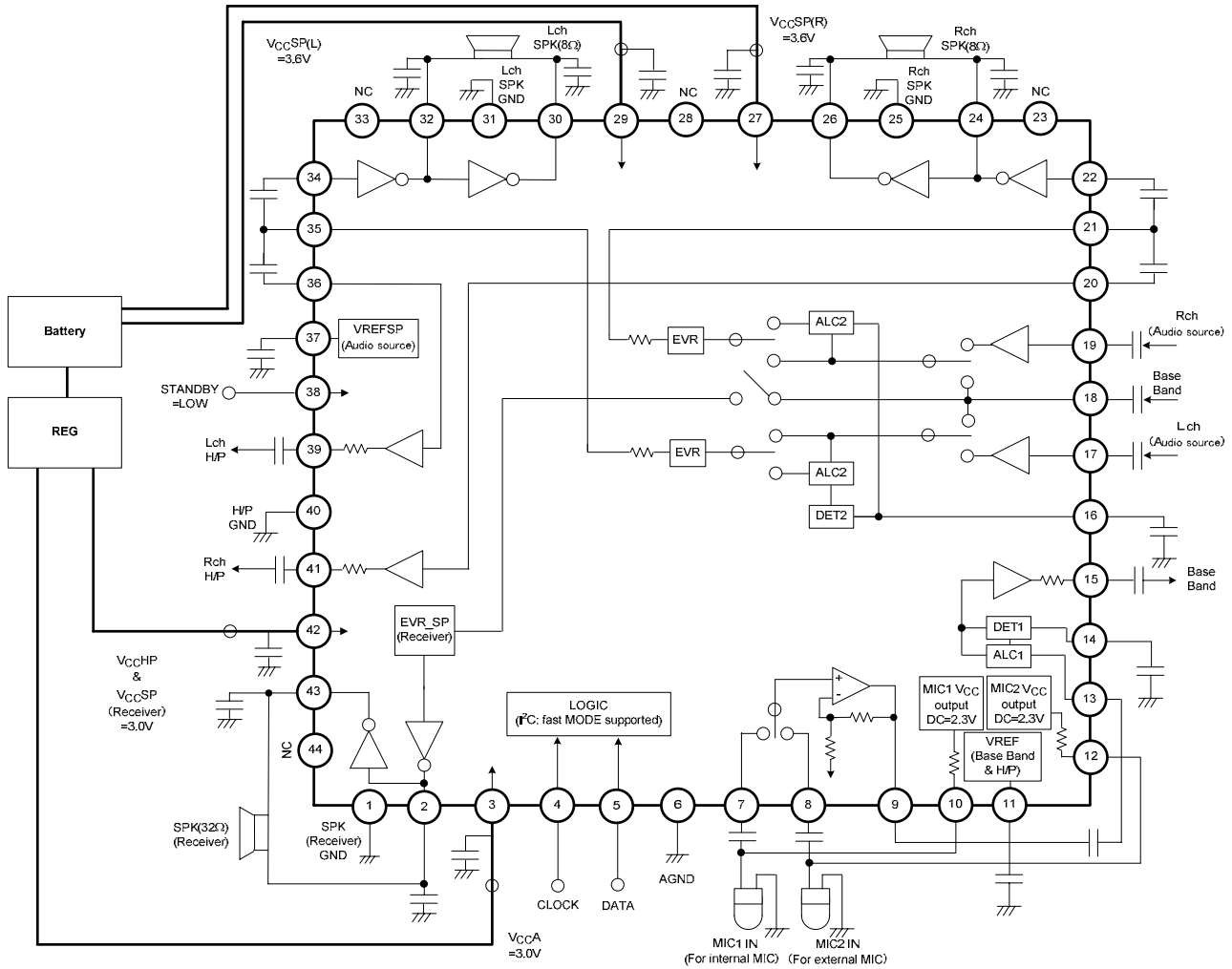
LA74320FN

Continued from preceding page.

PIN	Pin Name	DC voltage	AC voltage	Description of functions	Equivalent circuit diagram in pin
37	VREFSP	1.65V		SPK VREF and ripple rejection pin	
38	STANDBY L			STANDBY control pin	
39	Lch HP OUT	1.5V	Reference output level =-23.5dBV Maximum output level =-3dBV	Lch HP output pin	
40	GND HP	0V		HP GND pin	
41	Rch HP OUT	1.5V	Reference output level =-23.5dBV Maximum output level =-3dBV	Rch HP output pin	
42	VCCHP	3.0V		HP & receiver speaker power pin	
43	Receiver (+) OUT	1.5V	Reference output level =-10dBV (@ EVR=Max audio source input =-30dBV)	Receiver speaker normal phase output pin	
44	NC			NC pin	

LA74320FN

Internal Equivalent Circuit Diagram



- SANYO Semiconductor Co.,Ltd. assumes no responsibility for equipment failures that result from using products at values that exceed, even momentarily, rated values (such as maximum ratings, operating condition ranges, or other parameters) listed in products specifications of any and all SANYO Semiconductor Co.,Ltd. products described or contained herein.
- SANYO Semiconductor Co.,Ltd. strives to supply high-quality high-reliability products, however, any and all semiconductor products fail or malfunction with some probability. It is possible that these probabilistic failures or malfunction could give rise to accidents or events that could endanger human lives, trouble that could give rise to smoke or fire, or accidents that could cause damage to other property. When designing equipment, adopt safety measures so that these kinds of accidents or events cannot occur. Such measures include but are not limited to protective circuits and error prevention circuits for safe design, redundant design, and structural design.
- In the event that any or all SANYO Semiconductor Co.,Ltd. products described or contained herein are controlled under any of applicable local export control laws and regulations, such products may require the export license from the authorities concerned in accordance with the above law.
- No part of this publication may be reproduced or transmitted in any form or by any means, electronic or mechanical, including photocopying and recording, or any information storage or retrieval system, or otherwise, without the prior written consent of SANYO Semiconductor Co.,Ltd.
- Any and all information described or contained herein are subject to change without notice due to product/technology improvement, etc. When designing equipment, refer to the "Delivery Specification" for the SANYO Semiconductor Co.,Ltd. product that you intend to use.
- Information (including circuit diagrams and circuit parameters) herein is for example only; it is not guaranteed for volume production.
- Upon using the technical information or products described herein, neither warranty nor license shall be granted with regard to intellectual property rights or any other rights of SANYO Semiconductor Co.,Ltd. or any third party. SANYO Semiconductor Co.,Ltd. shall not be liable for any claim or suits with regard to a third party's intellectual property rights which has resulted from the use of the technical information and products mentioned above.

This catalog provides information as of July, 2008. Specifications and information herein are subject to change without notice.