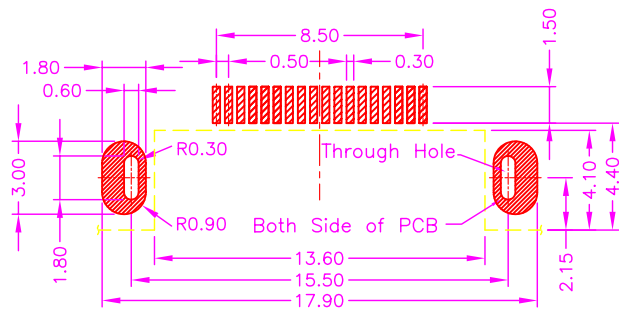
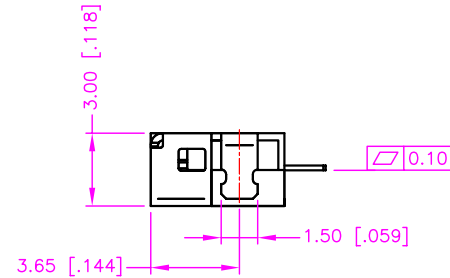
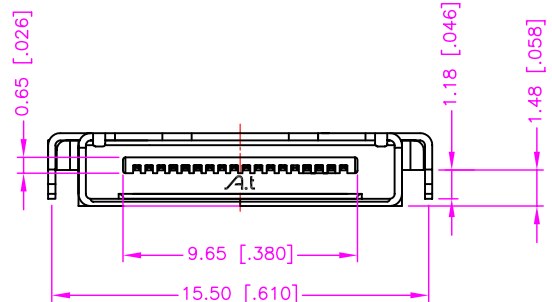
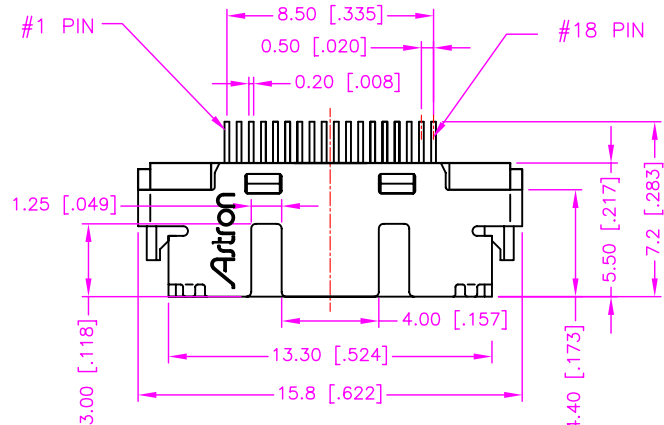


REV.	DESCRIPTION	DATE
A	RELEASE	Jun 14, 2003
B	03'1202	Dec 12, 2003
C	04,0337	Mar 19, 2004



RECOMMEND P.C.B. LAYOUT  
TOLERANCE ±0.05  
TOP VIEW

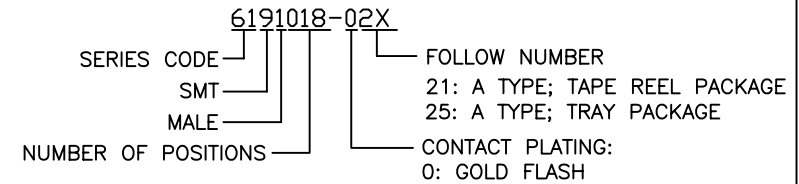
### MATERIALS

- HOUSING : HI.-TEMP. PLASTIC (UL 94V-0) BLACK.
- TERMINAL : COPPER ALLOY, GOLD PLATED OVERALL.  
(t=0.20mm, SIGNAL TERMINAL)
- SHELL : STAINLESS STEEL, NICKEL PLATED. (t=0.30mm)

### SPECIFICATION

- CURRENT RATING : 0.5 A. MAX.
- DIELECTRIC WITHSTANDING VOLTAGE : 250V AC R.M.S. FOR ONE MINUTE.
- INSULATION RESISTANCE : 1000MΩ MIN AT 250V DC.
- OPERATING TEMPERATURE : -40°C TO +85°C.

### ORDER INFORMATION



TOLERANCE		DRAWER	Astron ASTRON TECHNOLOGY CORP.
.0±±0.38 [.015]		<i>Fujun</i>	
.00±±0.25 [.010]		CHECK	NAME 0.5PH IN-PHONE 18P SLIM TYPE (A TYPE)
.000±±0.15 [.006]		<i>ME</i>	
.0000±±.		APP'D	DRAW NO. R6191018-021(5)
ANG.=±3°		<i>LION</i>	
UNITS : mm [inch]		PRODUCT SPEC.	
SCALE	SIZE	SHEET	REV.
NONE	A4	1 OF 1	C