

# ISODUCTORS

Preferred application: fixed and mobile communication.

TYPE	DIMENSIONS Fig.	FREQUENCY RANGE <sup>(1)</sup> MHz	MAXIMUM POWER	
			FORWARD W	REFLECTED W
2722 162 09002	1	68 to 150	40	total reflection permitted
2722 162 09012	1	140 to 260	40	total reflection permitted
2722 162 09022	1	230 to 470	40	total reflection permitted

**Note**

1. For instantaneous bandwidth see diagram.

The technical characteristics have been measured in the following circuit:

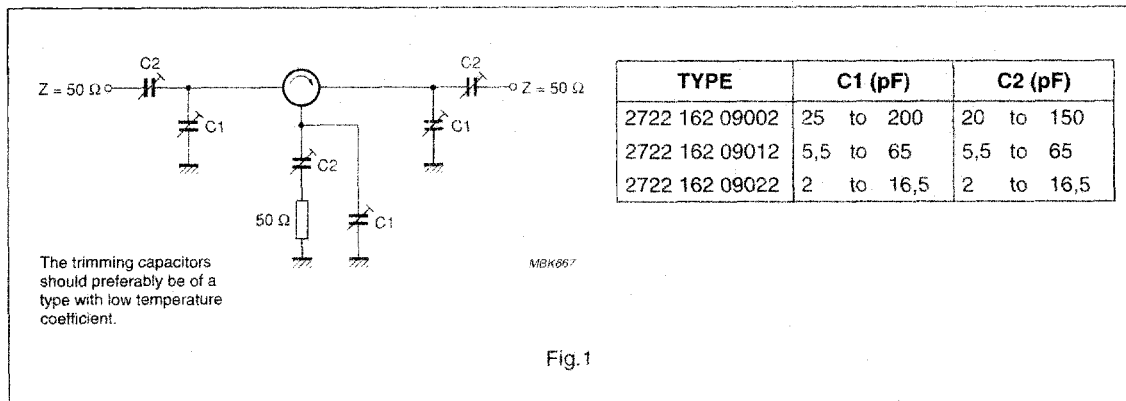


Fig.1

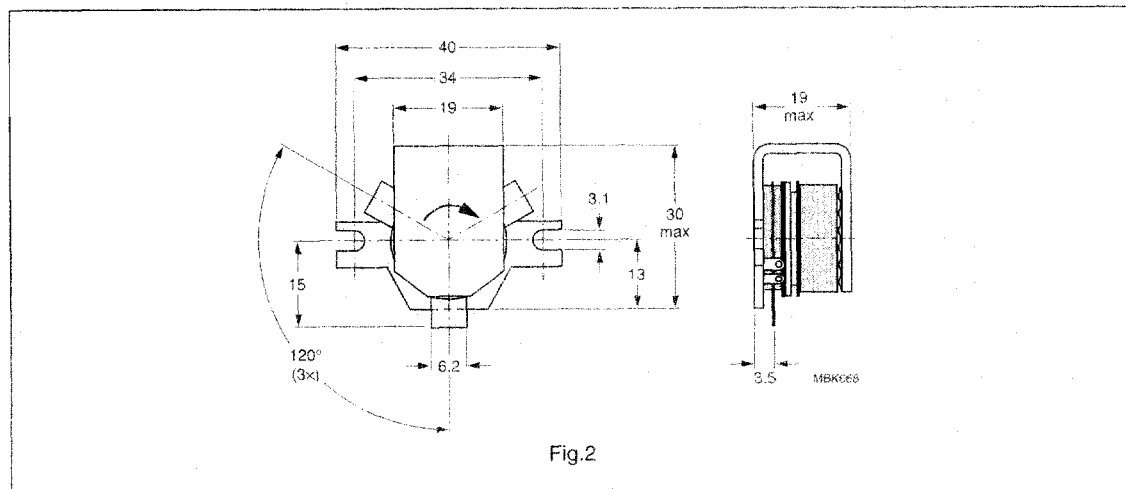


Fig.2

# ISODUCTORS

TYPE	INSERTION LOSS dB	ISOLATION dB	VSWR	TEMP. RANGE °C	CONNECTOR	MASS g
2722 162 09002	≤ 0,9 (≤ 100 MHz) ≤ 0,7 (> 100 MHz)	≥ 20	≤ 1,22	0 to 60	solder pins	40
2722 162 09012	≤ 0,6	≥ 20	≤ 1,22	0 to 60	solder pins	40
2722 162 09022	≤ 0,5	≥ 20	≤ 1,22	0 to 60	solder pins	40

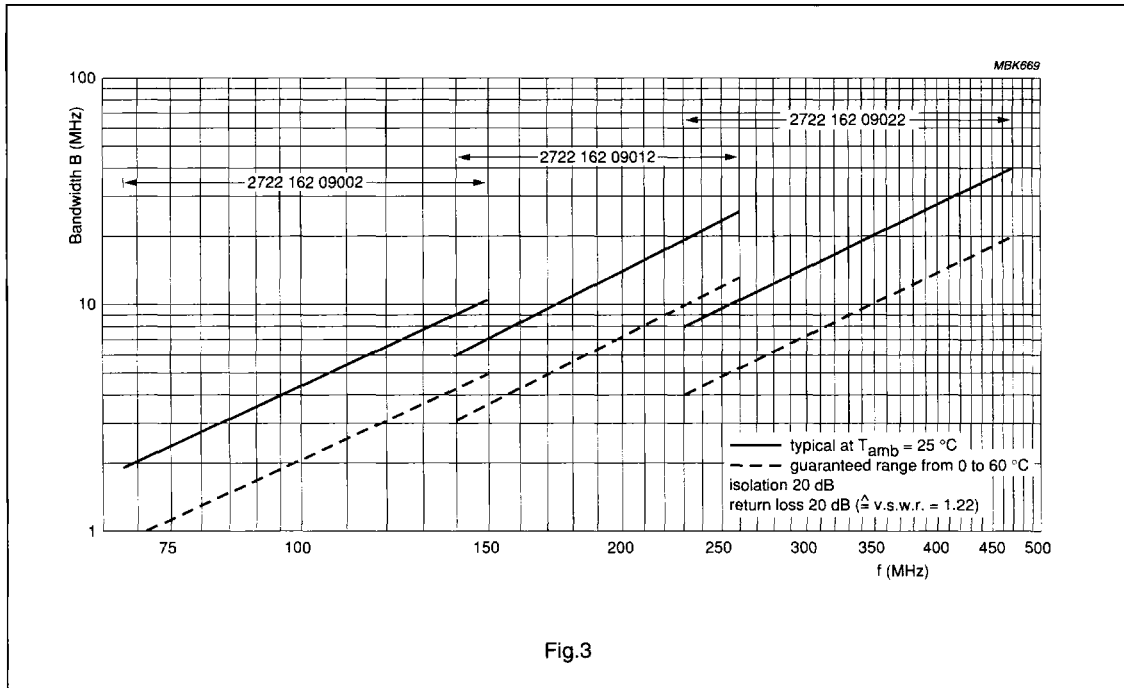


Fig.3

# ISODUCTORS

