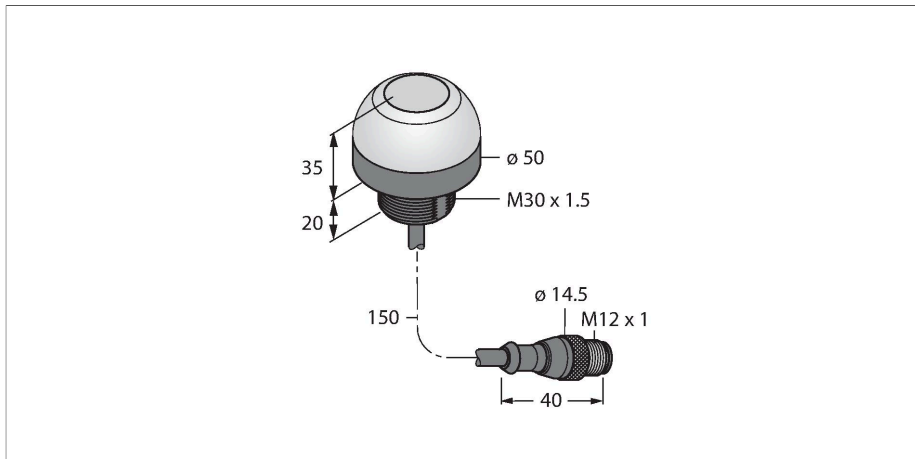


K50ALBT2FXGHQP

Pick-to-Light – Placement Sensor

Capacitive Sensor



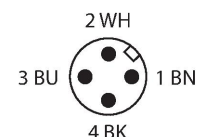
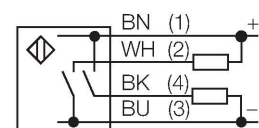
Technical data

Type	K50ALBT2FXGHQP
ID	3096967
Signal and display data	
Purpose	Pick-to-Light
Function	Touch Button
Light type	Green
LED service life (L70)	50000 h
Switch Function	Latching
Features of color 1	Green
Features of color 2	Green, 29 lm
Special features	I/O module-compatible Wash down
Electrical data	
Operating voltage	12...30 VDC
DC rated operational current	≤ 150 mA
Max. current consumption per color	75 mA
Output function	NO contact, PNP/NPN
Input type	PNP
Response time typical	< 150 ms
Mechanical data	
Design	Dome, K50
Dimensions	Ø 50 x 55 x 55 mm
Housing material	Plastic, FDA polycarbonate
Window material	Polycarbonate, diffuse
Electrical connection	Cable with connector, M12 x 1, 0.15 m, PVC

Features

- Protection classes IP67 IP69K
- Cable with M12 x 1 male connector, 4-pin, 150 mm
- Disabled: No color
- Enabled: Green (COL 2)
- Operating voltage 10...30 VDC
- Bipolar circuit
- NO contact
- Hold function
- Capacitive sensor of the second generation
- High immunity to false actuation by splashing, detergents, oils and other contaminants
- FDA-approved housing material

Wiring diagram



Functional principle

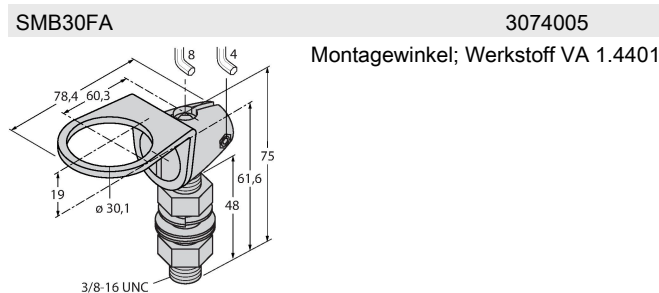
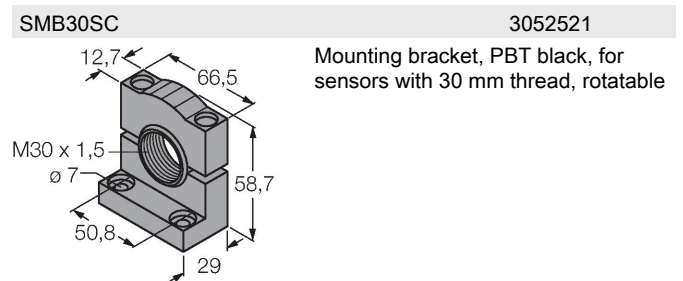
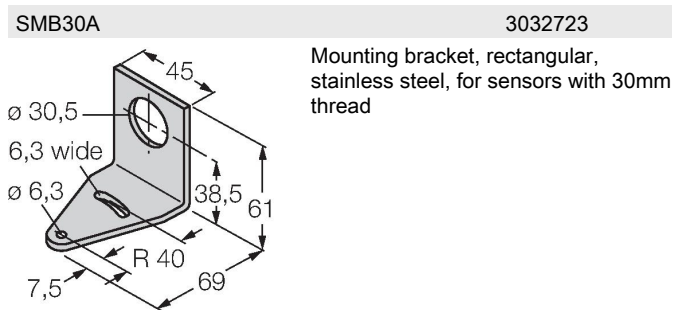
The K50 pick-and-place sensor is suitable for many mounting and component placement applications. The LED light is reflected perfectly by the entire dome. The device has two display colors depending on the version: Color 1 Shows the disabled state, color 2 the enabled state. Since the device has no

Technical data

Number of cores	5
Ambient temperature	-40...+50 °C
Relative humidity	0...90 %
Protection class	IP67 IP69
Tests/approvals	
MTTF	146 years acc. to SN 29500 (Ed. 99) 40 °C
Approvals	CE, cULus listed

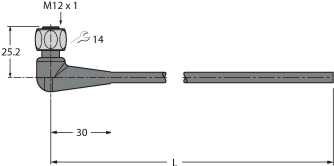
inputs, a color change is exclusively realized by touching the sensor (enable). Devices with a hold function keep the enabled state, even when the contact ends.

Accessories



Accessories

Dimension drawing	Type	ID	
	RKC4.4T-2/TEL	6625013	Connection cable, female M12, straight, 4-pin, cable length: 2 m, sheath material: PVC, black; cULus approval; other cable lengths and qualities available, see www.turck.com
	WKC4.4T-2/TEL	6625025	Connection cable, female M12, angled, 4-pin, cable length: 2 m, sheath material: PVC, black; cULus approval; other cable lengths and qualities available, see www.turck.com

Dimension drawing	Type	ID	
	RKH4.4-2/TFE	6934473	Connection cable, M12 female, straight, 4-pin, stainless steel coupling nut, cable length: 2 m, jacket material: PVC, gray, temperature range -25...+80 °C; other cable lengths and designs available, see www.turck.com
	WKH4.4-2/TFE	6934480	Connection cable, M12 female, angled, 4-pin, stainless steel coupling nut, cable length: 2 m, jacket material: PVC, gray, temperature range -25...+80 °C; other cable lengths and designs available, see www.turck.com