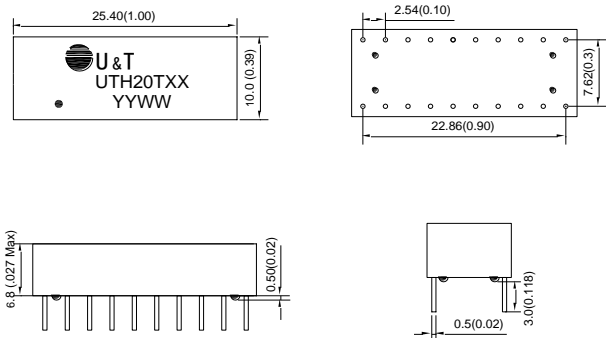
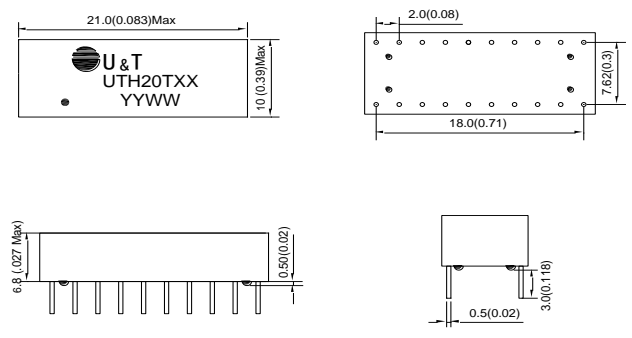


A

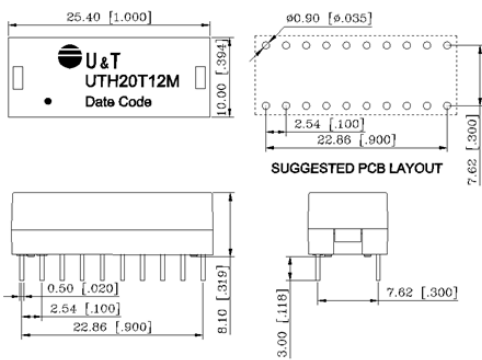


B

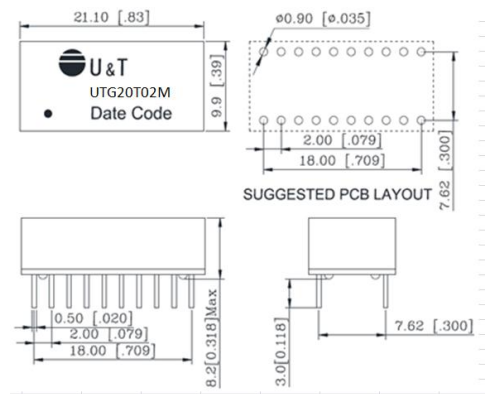


Dimension: mm(inch)+/-0.25(0.01)

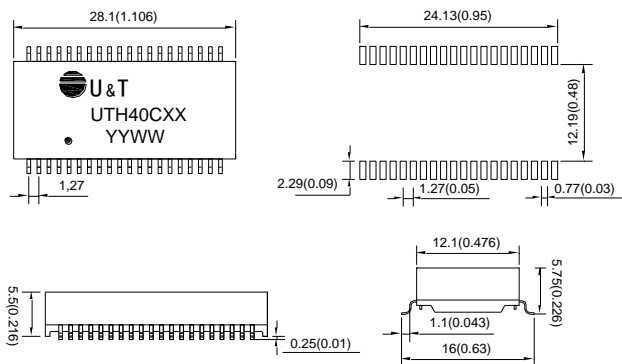
C



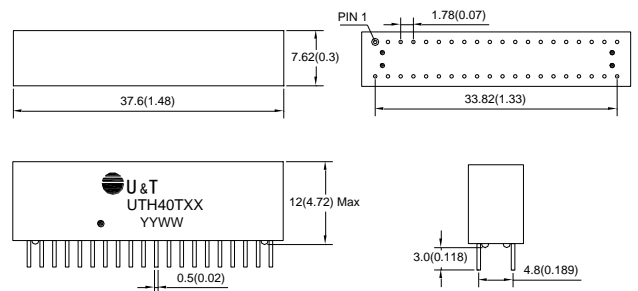
D



E



F



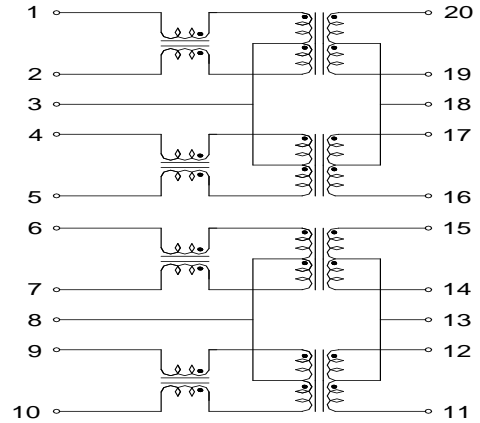
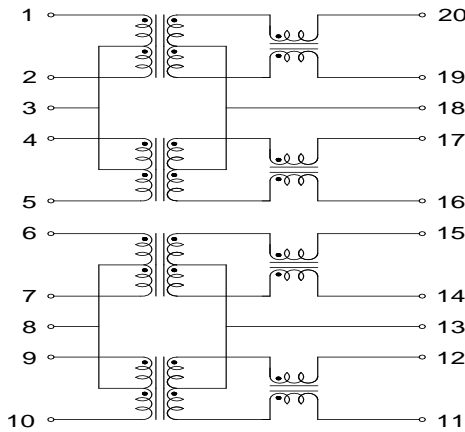
Schematic



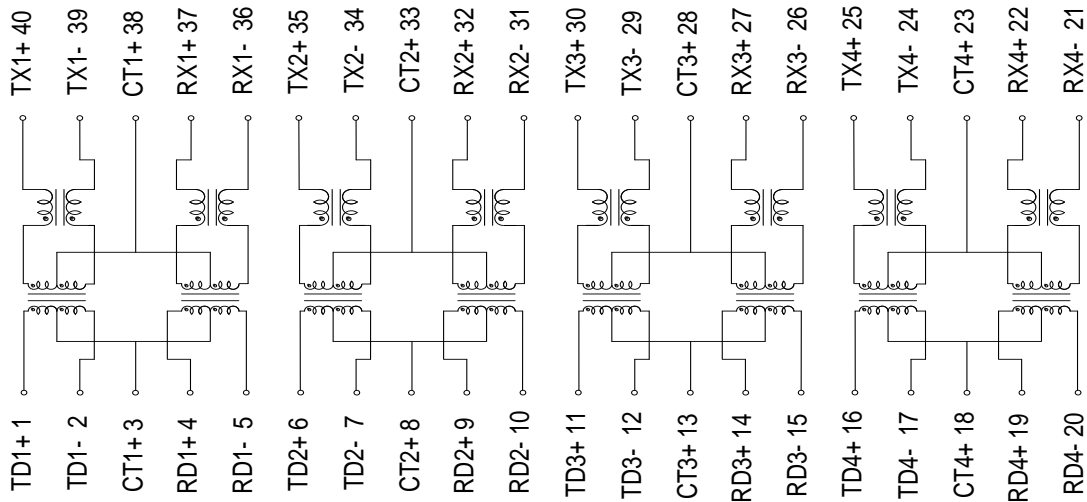
10/100M Base Dual&Quad Port Transformer

UTH20C01, UTH20T02, UTH20T29, UTH20T02M UTH20T02MH

UTH20T12M



UTH40C01, UTH40C01W, UTH40C01A,



UTH40T01, UTH40T01W

