

**DESCRIPTION**

The SSI 32P4746/4746A devices are high performance BiCMOS single chip read channel ICs that contain all the functions needed to implement a complete zoned recording read channel for hard disk drive systems. Functional blocks include the pulse detector, programmable filter, 4-burst servo capture, time base generator, and data separator with 1,7 RLL ENDEC. Data rates from 16 to 48 Mbit/s can be programmed using an internal DAC whose reference current is set by a single external resistor. For reduced clocking speeds, the 32P4746/4746A employs a dual-bit parallel interface to the controller.

Programmable functions of the SSI 32P4746/4746A devices are controlled through a bi-directional serial port and banks of internal registers. This allows zoned recording applications to be supported without changing external component values from zone to zone.

The SSI 32P4746/4746A utilize an advanced BiCMOS process technology along with advanced circuit design techniques which result in high performance devices with low power consumption.

**FEATURES**

**GENERAL:**

- DAC controlled programmable data rates from 16 to 48 Mbit/s
- Complete zoned recording application support
- Low power operation < 500 mW typical at 5V
- Bi-directional serial port for register access
- Register programmable power management (sleep mode <1 mA)
- Power supply range (4.5 to 5.5 volts)
- Small footprint 64-lead TQFP package

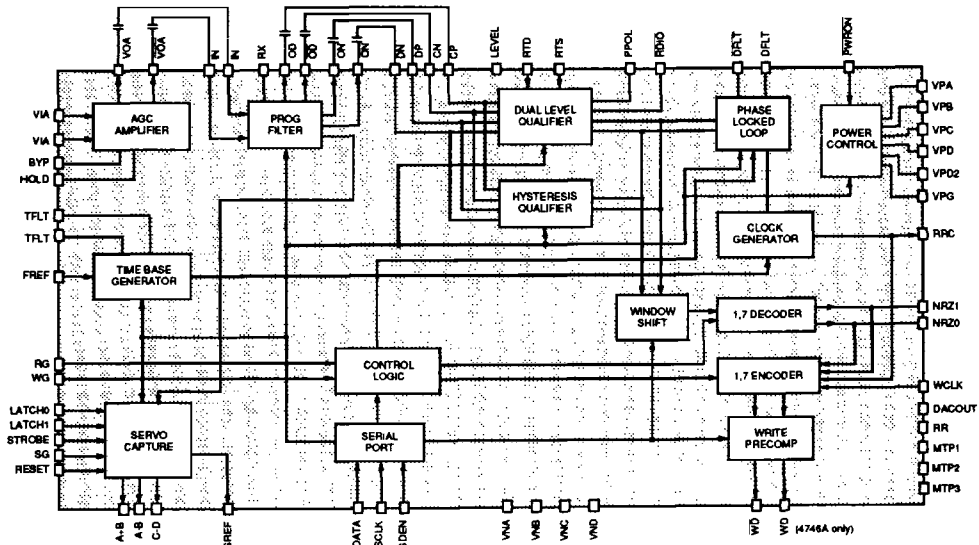


**PULSE DETECTOR:**

- Fast attack/decay modes for rapid AGC recovery
- Dual rate charge pump for fast transient recovery
- Low Drift AGC hold circuitry
- Temperature compensated, exponential control AGC
- Wide bandwidth, high precision full-wave rectifier
- Dual mode pulse qualification circuitry (user selectable)
- CMOS  $\overline{\text{RDI}}$  signal output for servo timing support
- Internal LOW-Z and fast decay timing
- 0.8 ns max. pulse pairing at 48 Mbit/s using a 18 MHz sine wave input

(continued)

**BLOCK DIAGRAM**



# SSI 32P4746/4746A

## Read Channel with 1,7 ENDEC, 4-burst Servo

---

### FEATURES *(continued)*

#### SERVO CAPTURE:

- 4-burst servo capture with A-B, C-D and A+B outputs
- Internal hold capacitors
- Separate registers for  $f_c$  and  $V_{TH}$  during servo mode
- 4-bit DAC for servo AGC level control (0.75 to 1.0 Vp-p)

#### PROGRAMMABLE FILTER:

- Programmable cutoff frequency of 6 to 18 MHz
- Programmable boost/equalization of 0 to 13 dB
- Matched normal and differentiated outputs
- $\pm 15\%$   $f_c$  accuracy
- $\pm 2\%$  maximum group delay variation to  $f_c$
- Less than 1.5% total harmonic distortion
- Low-Z input switch
- No external filter components required

#### TIME BASE GENERATOR:

- Better than 1% frequency resolution
- Up to 75 MHz frequency output
- Independent M and N divide-by registers
- VCO center frequency matched to data synchronizer VCO

#### DATA SEPARATOR:

- Fast acquisition phase lock loop with zero phase restart technique
- Dual-bit NRZ interface
- Integrated 1,7 RLL Encoder/Decoder
- Programmable decode window symmetry control via serial port
  - Window shift control TBD (4-bit)
  - Includes delayed read data and VCO clock monitor points
- Programmable early/late write precomp (3-Bits each)
- TTL write data output - 32P4746
- Differential PECL write data output - 32P4746A
- Hard sector operation
- VCO and Synchronized Read Data test points

# SSI 32P4746/4746A Read Channel with 1,7 ENDEC, 4-burst Servo

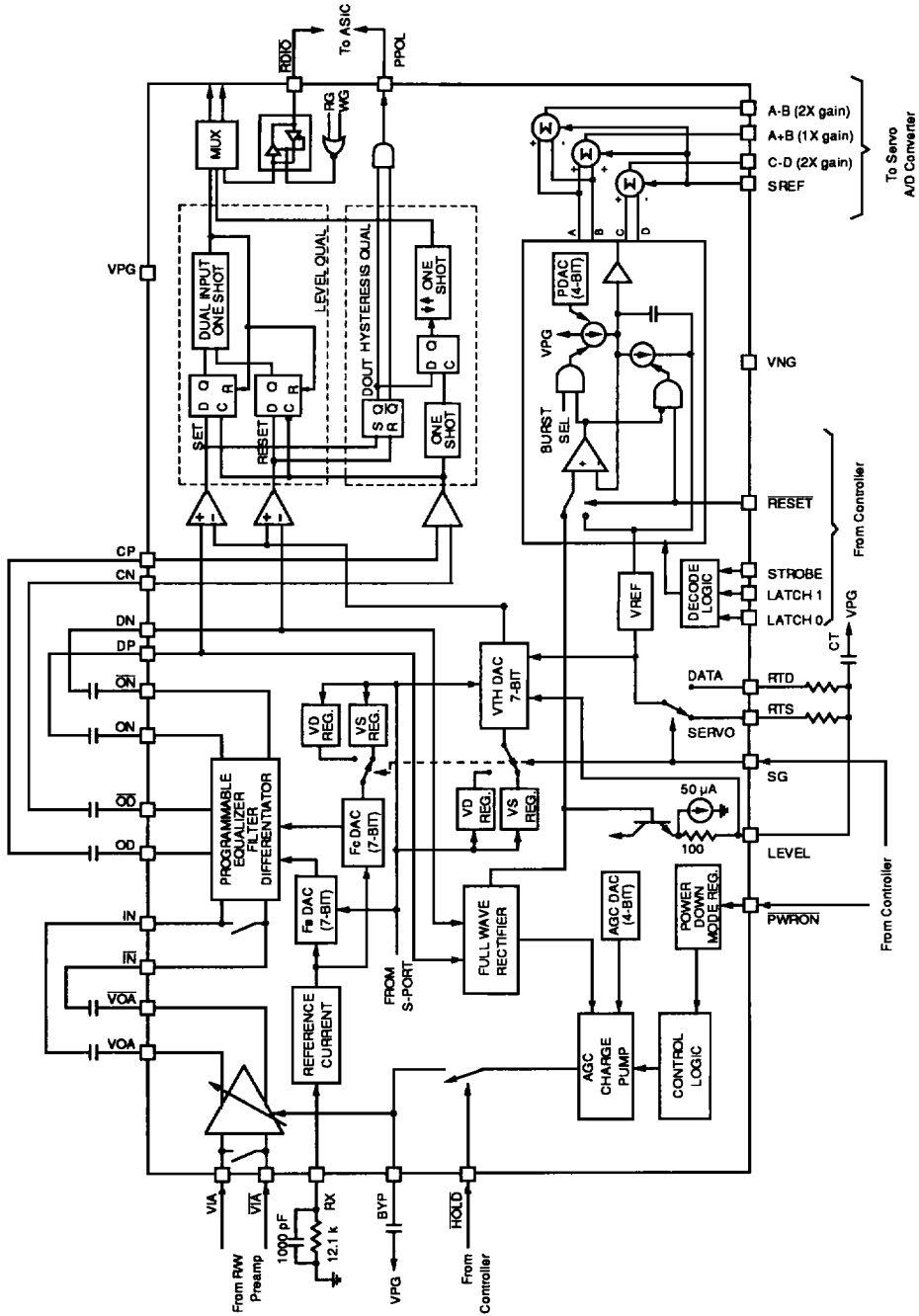


FIGURE 1: 32P4746/32P4746A Application Diagram

# SSI 32P4746/4746A

## Read Channel with

### 1,7 ENDEC, 4-burst Servo

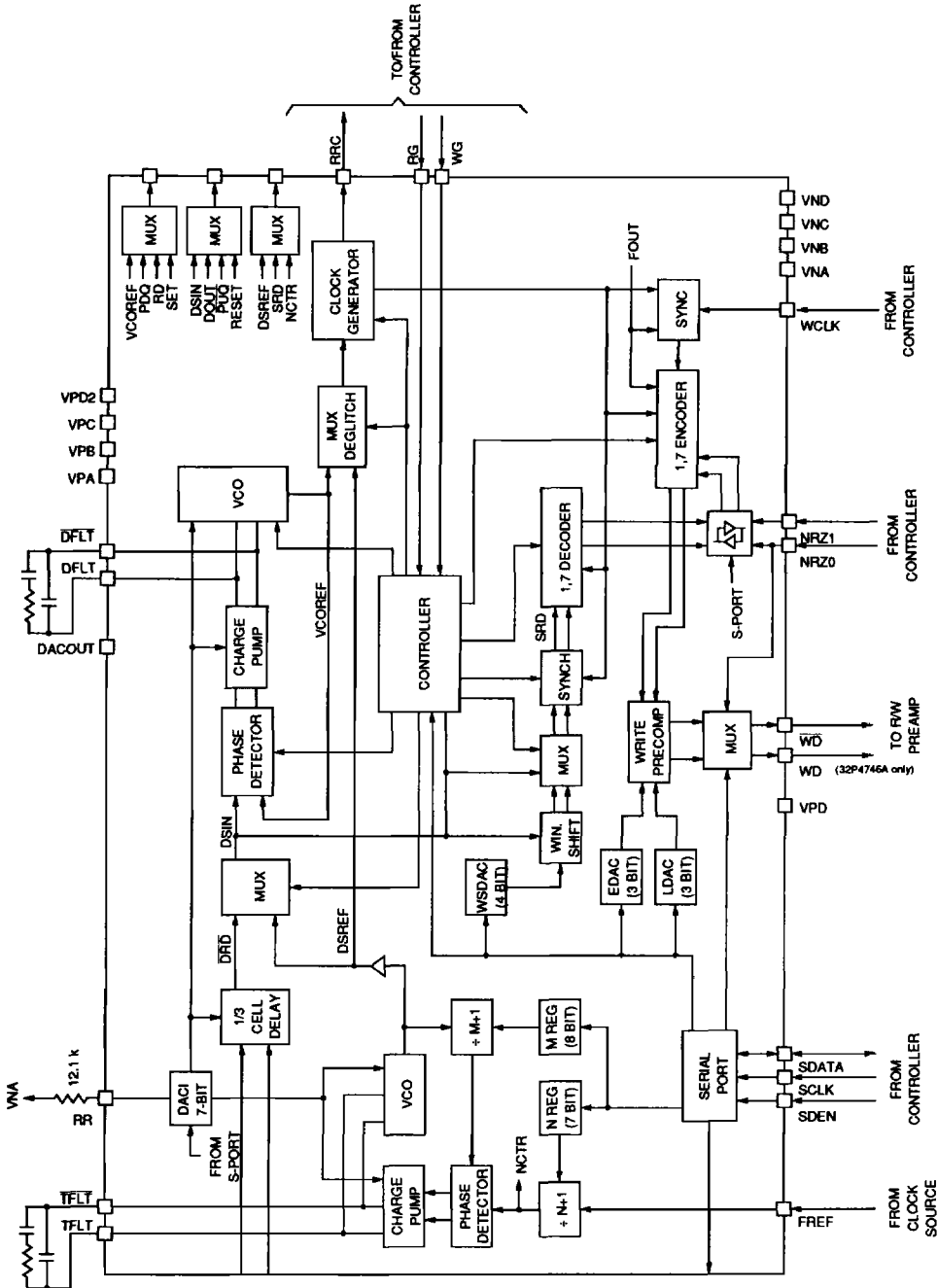


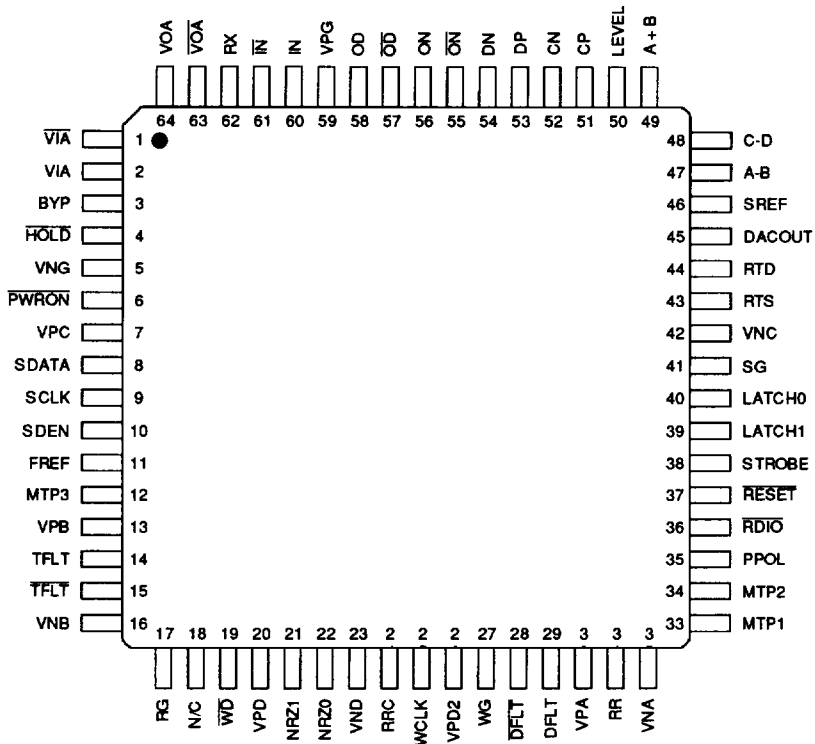
FIGURE 2: 32P4746/4746A Application Diagram

# SSI 32P4746/4746A

## Read Channel with 1,7 ENDEC, 4-burst Servo

### PACKAGE PIN DESIGNATIONS (Top View)

CAUTION: Use handling procedures necessary for a static sensitive component.



**32P4746**  
**64-Lead TQFP**

4

# SSI 32P4746/4746A

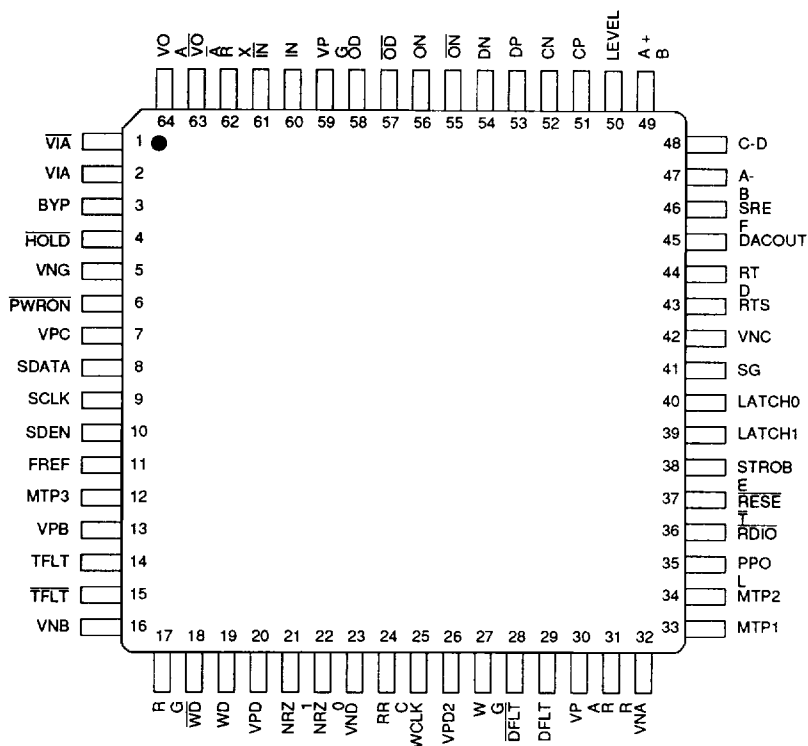
## Read Channel with

### 1,7 ENDEC, 4-burst Servo

#### PACKAGE PIN DESIGNATIONS

(Top View)

CAUTION: Use handling procedures necessary for a static sensitive component.



**32P4746A**  
**64-Lead TQFP**

#### ORDERING INFORMATION

PART DESCRIPTION	ORDER NUMBER	PACKAGE MARK
SSI 32P4746 64-Lead TQFP	32P4746-CGT	32P4746-CGT
SSI 32P4746A 64-Lead TQFP	32P4746A-CGT	32P4746A-CGT

No responsibility is assumed by Silicon Systems for use of this product nor for any infringements of patents and trademarks or other rights of third parties resulting from its use. No license is granted under any patents, patent rights or trademarks of Silicon Systems. Silicon Systems reserves the right to make changes in specifications at any time without notice. Accordingly, the reader is cautioned to verify that the data sheet is current before placing orders.

Silicon Systems, Inc., 14351 Myford Road, Tustin, CA 92680-7022 (714) 573-6000, FAX (714) 573-6914