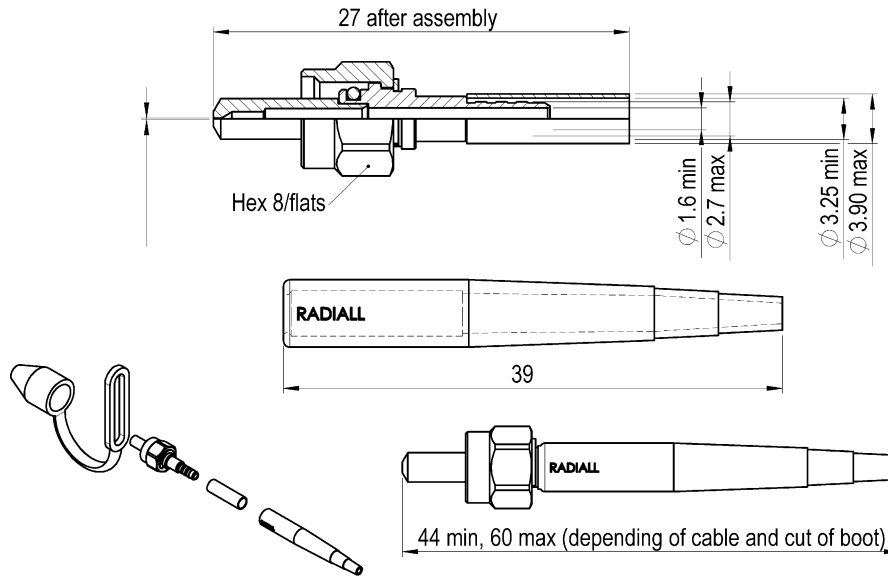


PAGE 1/1	ISSUE 06/13/13	SERIES F-SMA	PART NUMBER F707047000
----------	----------------	--------------	------------------------

F-SMA CRIMPING STRAIGHT CONNECTOR FOR MULTIMODE 230µm FIBER



Dimensions: mm [inches]

GENERAL

Type: IEC 874-2 type FSMA5, connector
Metalic ferrule
Screw thread coupling device

Fiber: 200/230 µm HCS multimode fiber

Cable size & type: Tight structure cable with aramid members from Ø1.6mm to Ø2.6mm

Installation: See assembly procedures 503 08 530 and F 707 PC 15

CHARACTERISTICS (Dependent on cable or fiber construction)

Optical: Typical insertion loss: 1.20 dB
(with HCP 200/230, NA=0.37, λ=850nm)
Standard deviation: 0.2 dB

Mechanical: Mating life : Up to 250 matings
Fiber retention : 5N
Cable retention : 100N
Coupling torque : 40 to 45 N.cm
Coupling retention : 270N
Vibration : 10 – 55 Hz, 10g

Environmental: Climatic category : 55/85/10 (IEC 874-1)
: