

4-8 GHz

## CALIBRATED VARIABLE ATTENUATORS

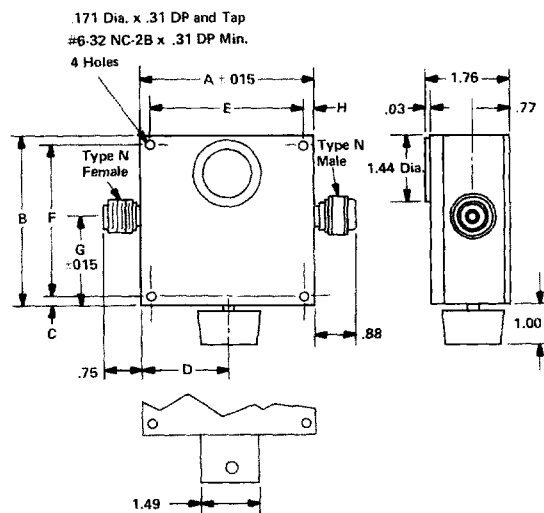
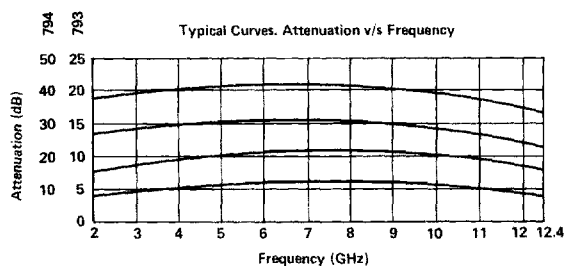
- Flat Frequency Response
- Accurate Calibration
- Direct Reading 0 to 20 dB and 0 to 40 dB

### SPECIFICATIONS

FREQUENCY RANGE (GHz)	MODEL	ATTENUATION (dB)	POWER INPUT		VSWR (Max) 4-8	INSERTION LOSS (Max dB)	ACCURACY (dB)	WEIGHT (Max)	
			AVG. (W) Max	PEAK (kW) Max				Oz	Kg
4-8	793FM	0-20	10	5	1.25	1.0	±1.0	43.2	1.23
	794FM	0-40	10	5	1.25	1.5	±1.5	84.6	2.40

Connectors are Type N stainless steel

### OUTLINE DRAWINGS



Model No.	A	B	C	D	E ±.015	F ±.015	G	H
793	4.83	4.29	.16	2.42	4.500	3.968	2.23	.16
794	8.51	5.24	.16	4.26	6.937	4.937	2.71	.79

All dimensions are Max. unless otherwise specified.