



LEDTRONICS, INC.®
THE FUTURE OF LIGHT



Direct Incandescent Replacement -- Up to 90% Energy Savings

12-LED MR16 TrackLED™ Light Bulb

Ideal for use with Alternate and Renewable Energy resources like Solar & Wind Power

Major Energy Reduction, Reduces Light Pollution, "Dark Skies" Initiative Compatible

Features

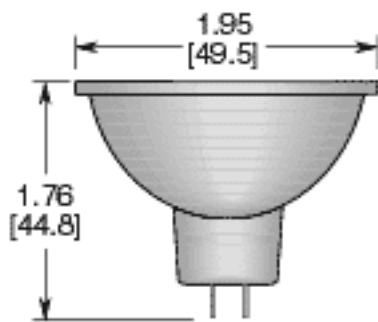
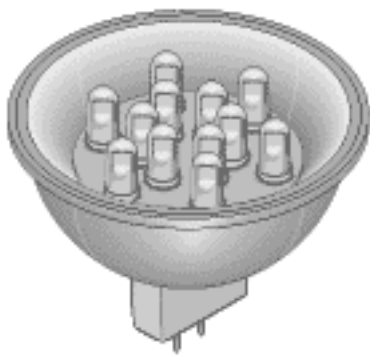
- Easy Installation Using Existing Socket
- LED Operating Life: 100,000+ hrs (10+ years)
- Solid-State, Fast Turn On, No Power Surge
- High Shock / Vibration Resistant
- Major Power Savings
- Voltages Available 12/14V, 24V 28V, 120VAC, 240VAC
- Major Reduction in Heat Generation
- Three-Year Lamp Warranty
- Choice of 13 Colors & Infrared

Only
0.8 - 1.0 Watt

- May not work with dimmer circuits.
- For direct 12VDC line power source applications.
- Transformers must be regulated and the output voltage should not exceed 12VDC.

Dimensions

Series MR16-12



Viewing Angle Options



Mark To Order	Part Number	Retail Price (Volume Discount Available)	LED Color	Input Voltage	Power (Watts) (typ)	Illumination ** (End Lumens)	Intensity per LED I _v (mcd)(typ)	λ _p (nm)
	MR16-12-0UR-014N		UL RED	12/14V	0.8-1.0	24@15°	2000	660
	MR16-12-0ER-014S		SP RED	12/14V	0.8-1.0	50@22°	4200	639
	MR16-12-0UO-014N		SP ORANGE	12/14V	0.8-1.0	48@15°	4000	612
	MR16-12-0UY-014S		SP YELLOW	12/14V	0.8-1.0	45@15°	3750	595
	MR16-12-0PY-014N		SP P YELL	12/14V	0.8-1.0	30@22°	2500	594
	MR16-12-0YW-014S		YEL / WHITE	12/14V	0.8-1.0	54@20°	3K / 6K	592 / 8000K‡
	MR16-12-0IW-014S		INC WHITE	12/14V	0.8-1.0	24@20°	2000	4500K‡
	MR16-12-0CW-014S		Cool WHITE	12/14V	0.8-1.0	72@20°	6000	8000K‡
	MR16-12-2CW-014S		Cool WHITE	12/14V	0.8-1.0	48@22°	4000	8000K‡
	MR16-12-0UG-014N		L. GREEN	12/14V	0.8-1.0	12@15°	1000	570
	MR16-12-0AG-014N		AQ. GREEN	12/14V	0.8-1.0	120@15°	10,000	525
	MR16-12-1AG-014N		AQ. GREEN	12/14V	0.8-1.0	36@15°	3000	525
	MR16-12-2AG-014N		AQ. GREEN	12/14V	0.8-1.0	72@15°	6000	525
	MR16-12-0BG-014S		B. GREEN	12/14V	0.8-1.0	84@30°	3000	505
	MR16-12-1BG-014N		B. GREEN	12/14V	0.8-1.0	12@15°	1000	505
	MR16-12-2BG-014N		B. GREEN	12/14V	0.8-1.0	24@15°	2000	505
	MR16-12-0PB-014N		SP BLUE	12/14V	0.8-1.0	36@15°	3000	470
	MR16-12-1PB-014N		SP BLUE	12/14V	0.8-1.0	12@15°	1000	470
	MR16-12-2PB-014N		SP BLUE	12/14V	0.8-1.0	24@15°	2000	470
	MR16-12-0UB-014N		UL BLUE	12/14V	0.8-1.0	6@15°	500	430
	MR16-12-851-014N		INFRARED	12/14V	0.8-1.0	--	12mW†	850
	MR16-12-881-014N		INFRARED	12/14V	0.8-1.0	--	10mW†	880
	MR16-12-941-014N		INFRARED	12/14V	0.8-1.0	--	8mW†	940

Custom Options for Large Quantity OEM requirements:

For Other Voltages, Replace -014N with -024N (for 24VDC), -120AN (for 120VAC), -240AN (for 240VAC)

Replace N in Part Number with Required Viewing Angle Options

N - Narrow (12°) S - Standard (30°) M - Medium (50°) W - Extra Wide (120°)

** 1 (one) End-Lumen is approximately 1 End-Footcandle, measurement for Narrow Angle (N)

† Infrared LED intensity is shown as typical milliwatt power per steradian

‡ Color Temperature (Kelvin Degrees)

(For more information, refer to Log #147A "[Common Light Measurement Terms](#)")