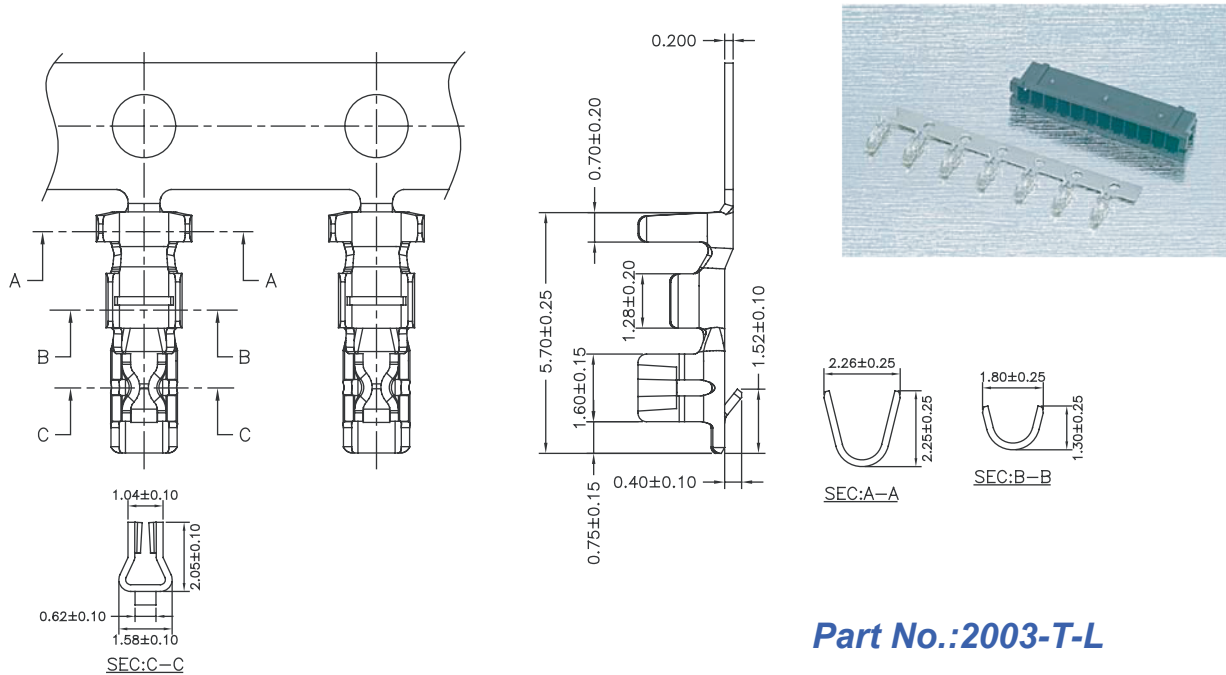




2.0mm TERMINAL / HOUSING



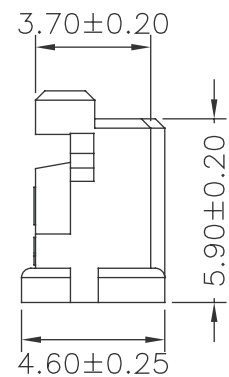
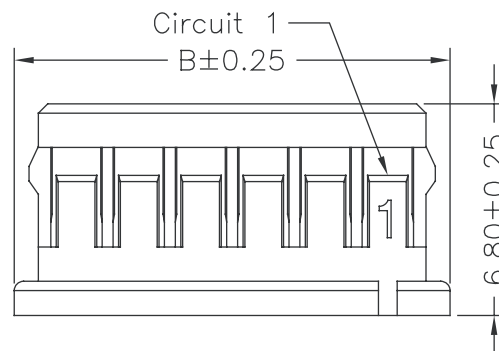
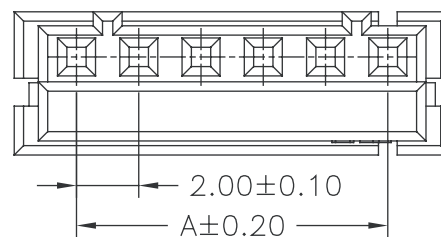
Part No.:2003-T-L

Wire Range	Insulation O.D.	Material	Finish	Qty/reel
AWG#22-#28	1.45mm(max)	Phosphor Bronze	Tin-plated	10,000pcs

SPECIFICATIONS

Current Rating: 2A AC,DC
 Voltage Rating: 250V AC,DC
 Temperature Range: -25°C ~ +85°C
 Contact Resistance: 30mΩ Max.
 Insulation Resistance: 1000MΩ Min.
 Withstanding Voltage: 650V AC/minute
 Material: Nylon 66,UL94V-0
 Color: Black

PART NO.	Dimensions	
	A	B
2003H-02B-L	2.00	6.00
2003H-03B-L	4.00	8.00
2003H-04B-L	6.00	10.00
2003H-05B-L	8.00	12.00
2003H-06B-L	10.00	14.00
2003H-07B-L	12.00	16.00
2003H-08B-L	14.00	18.00
2003H-09B-L	16.00	20.00
2003H-10B-L	18.00	22.00
2003H-11B-L	20.00	24.00
2003H-12B-L	22.00	26.00
2003H-13B-L	24.00	28.00
2003H-14B-L	26.00	30.00
2003H-15B-L	28.00	32.00



Part No.:2003H-XXB-L