

To our customers,

---

## Old Company Name in Catalogs and Other Documents

---

On April 1<sup>st</sup>, 2010, NEC Electronics Corporation merged with Renesas Technology Corporation, and Renesas Electronics Corporation took over all the business of both companies. Therefore, although the old company name remains in this document, it is a valid Renesas Electronics document. We appreciate your understanding.

Renesas Electronics website: <http://www.renesas.com>

April 1<sup>st</sup>, 2010  
Renesas Electronics Corporation

Issued by: Renesas Electronics Corporation (<http://www.renesas.com>)

Send any inquiries to <http://www.renesas.com/inquiry>.

## Notice

1. All information included in this document is current as of the date this document is issued. Such information, however, is subject to change without any prior notice. Before purchasing or using any Renesas Electronics products listed herein, please confirm the latest product information with a Renesas Electronics sales office. Also, please pay regular and careful attention to additional and different information to be disclosed by Renesas Electronics such as that disclosed through our website.
2. Renesas Electronics does not assume any liability for infringement of patents, copyrights, or other intellectual property rights of third parties by or arising from the use of Renesas Electronics products or technical information described in this document. No license, express, implied or otherwise, is granted hereby under any patents, copyrights or other intellectual property rights of Renesas Electronics or others.
3. You should not alter, modify, copy, or otherwise misappropriate any Renesas Electronics product, whether in whole or in part.
4. Descriptions of circuits, software and other related information in this document are provided only to illustrate the operation of semiconductor products and application examples. You are fully responsible for the incorporation of these circuits, software, and information in the design of your equipment. Renesas Electronics assumes no responsibility for any losses incurred by you or third parties arising from the use of these circuits, software, or information.
5. When exporting the products or technology described in this document, you should comply with the applicable export control laws and regulations and follow the procedures required by such laws and regulations. You should not use Renesas Electronics products or the technology described in this document for any purpose relating to military applications or use by the military, including but not limited to the development of weapons of mass destruction. Renesas Electronics products and technology may not be used for or incorporated into any products or systems whose manufacture, use, or sale is prohibited under any applicable domestic or foreign laws or regulations.
6. Renesas Electronics has used reasonable care in preparing the information included in this document, but Renesas Electronics does not warrant that such information is error free. Renesas Electronics assumes no liability whatsoever for any damages incurred by you resulting from errors in or omissions from the information included herein.
7. Renesas Electronics products are classified according to the following three quality grades: “Standard”, “High Quality”, and “Specific”. The recommended applications for each Renesas Electronics product depends on the product’s quality grade, as indicated below. You must check the quality grade of each Renesas Electronics product before using it in a particular application. You may not use any Renesas Electronics product for any application categorized as “Specific” without the prior written consent of Renesas Electronics. Further, you may not use any Renesas Electronics product for any application for which it is not intended without the prior written consent of Renesas Electronics. Renesas Electronics shall not be in any way liable for any damages or losses incurred by you or third parties arising from the use of any Renesas Electronics product for an application categorized as “Specific” or for which the product is not intended where you have failed to obtain the prior written consent of Renesas Electronics. The quality grade of each Renesas Electronics product is “Standard” unless otherwise expressly specified in a Renesas Electronics data sheets or data books, etc.
  - “Standard”: Computers; office equipment; communications equipment; test and measurement equipment; audio and visual equipment; home electronic appliances; machine tools; personal electronic equipment; and industrial robots.
  - “High Quality”: Transportation equipment (automobiles, trains, ships, etc.); traffic control systems; anti-disaster systems; anti-crime systems; safety equipment; and medical equipment not specifically designed for life support.
  - “Specific”: Aircraft; aerospace equipment; submersible repeaters; nuclear reactor control systems; medical equipment or systems for life support (e.g. artificial life support devices or systems), surgical implantations, or healthcare intervention (e.g. excision, etc.), and any other applications or purposes that pose a direct threat to human life.
8. You should use the Renesas Electronics products described in this document within the range specified by Renesas Electronics, especially with respect to the maximum rating, operating supply voltage range, movement power voltage range, heat radiation characteristics, installation and other product characteristics. Renesas Electronics shall have no liability for malfunctions or damages arising out of the use of Renesas Electronics products beyond such specified ranges.
9. Although Renesas Electronics endeavors to improve the quality and reliability of its products, semiconductor products have specific characteristics such as the occurrence of failure at a certain rate and malfunctions under certain use conditions. Further, Renesas Electronics products are not subject to radiation resistance design. Please be sure to implement safety measures to guard them against the possibility of physical injury, and injury or damage caused by fire in the event of the failure of a Renesas Electronics product, such as safety design for hardware and software including but not limited to redundancy, fire control and malfunction prevention, appropriate treatment for aging degradation or any other appropriate measures. Because the evaluation of microcomputer software alone is very difficult, please evaluate the safety of the final products or system manufactured by you.
10. Please contact a Renesas Electronics sales office for details as to environmental matters such as the environmental compatibility of each Renesas Electronics product. Please use Renesas Electronics products in compliance with all applicable laws and regulations that regulate the inclusion or use of controlled substances, including without limitation, the EU RoHS Directive. Renesas Electronics assumes no liability for damages or losses occurring as a result of your noncompliance with applicable laws and regulations.
11. This document may not be reproduced or duplicated, in any form, in whole or in part, without prior written consent of Renesas Electronics.
12. Please contact a Renesas Electronics sales office if you have any questions regarding the information contained in this document or Renesas Electronics products, or if you have any other inquiries.

(Note 1) “Renesas Electronics” as used in this document means Renesas Electronics Corporation and also includes its majority-owned subsidiaries.

(Note 2) “Renesas Electronics product(s)” means any product developed or manufactured by or for Renesas Electronics.

To all our customers

---

## **Regarding the change of names mentioned in the document, such as Mitsubishi Electric and Mitsubishi XX, to Renesas Technology Corp.**

---

The semiconductor operations of Hitachi and Mitsubishi Electric were transferred to Renesas Technology Corporation on April 1st 2003. These operations include microcomputer, logic, analog and discrete devices, and memory chips other than DRAMs (flash memory, SRAMs etc.) Accordingly, although Mitsubishi Electric, Mitsubishi Electric Corporation, Mitsubishi Semiconductors, and other Mitsubishi brand names are mentioned in the document, these names have in fact all been changed to Renesas Technology Corp. Thank you for your understanding. Except for our corporate trademark, logo and corporate statement, no changes whatsoever have been made to the contents of the document, and these changes do not constitute any alteration to the contents of the document itself.

Note : Mitsubishi Electric will continue the business operations of high frequency & optical devices and power devices.

Renesas Technology Corp.  
Customer Support Dept.  
April 1, 2003

**PRELIMINARY**  
 Notice ; This is not a final specification.  
 some parametric limits are subject to change.

# M65831AP/FP

## DIGITAL ECHO (DIGITAL DELAY)

### DESCRIPTION

The M65831A is an IC developed for producing echo effects added to voice signals picked up by microphone for karaoke applications. The IC has the largest memory among the digital delay series. As its design is aimed at high performance, it is best suited to provide radio cassette tape recorders and miniature unit audio system with quality echo function. Being pin compatible with the M65830CP / FP and M65843AP / FP, the M65831AP / FP is suitable for upgrading the series.

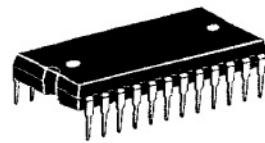
### FEATURES

- Built-in input / output filters, A-D and D-A converters, and memory realize a delay system with only a single chip
- Capable of composing low-noise and low-distortion delay system at low cost by ADM system  
 (No=-92dB typ, THD=0.5% typ)
- Control mode selections available from 2 kinds : easy mode using parallel data and microcomputer mode using serial data
- Sleep mode can be selected to stop IC functions
- Built-in automatic reset circuit

### RECOMMENDED OPERATING CONDITIONS

Supply voltage range ----- VCC,VDD=4.5 to 5.5V  
 Rated supply voltage ----- VCC,VDD=5.0V

### Outline

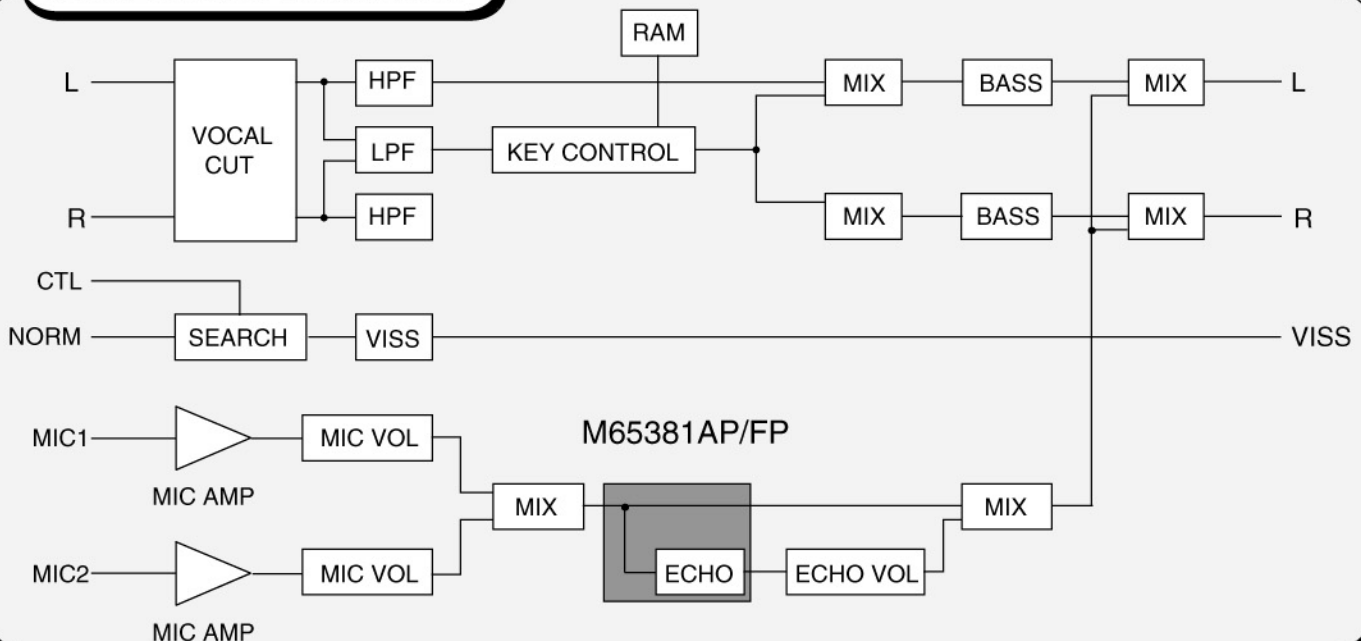


Outline 24P4 (AP)  
 2.54mm pitch 600mil DIP  
 (13.0mm X 31.1mm X 3.8mm)



Outline 24P2W-A(AFP)  
 1.27mm pitch 450mil SOP  
 (8.4mm X 15.0mm X 2.0mm)

### SYSTEM CONFIGURATION



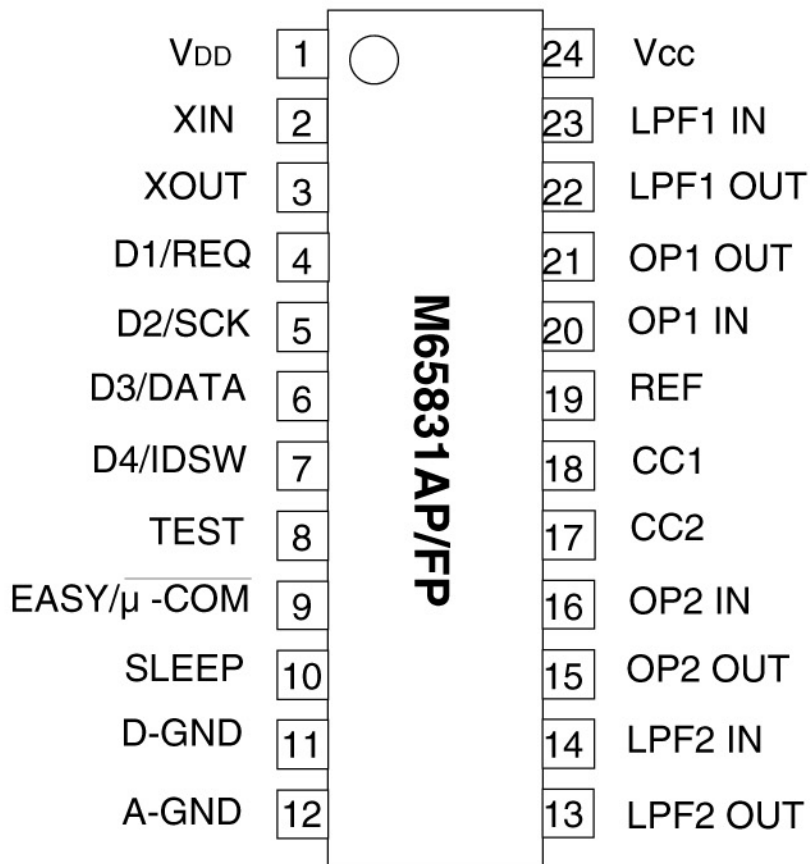
**PRELIMINARY**  
Notice ; This is not a final specification.  
some parametric limits are subject to change.

MITSUBISHI SOUND PROCESSOR ICs

# M65831AP/FP

## DIGITAL ECHO (DIGITAL DELAY)

### Pin Configuration

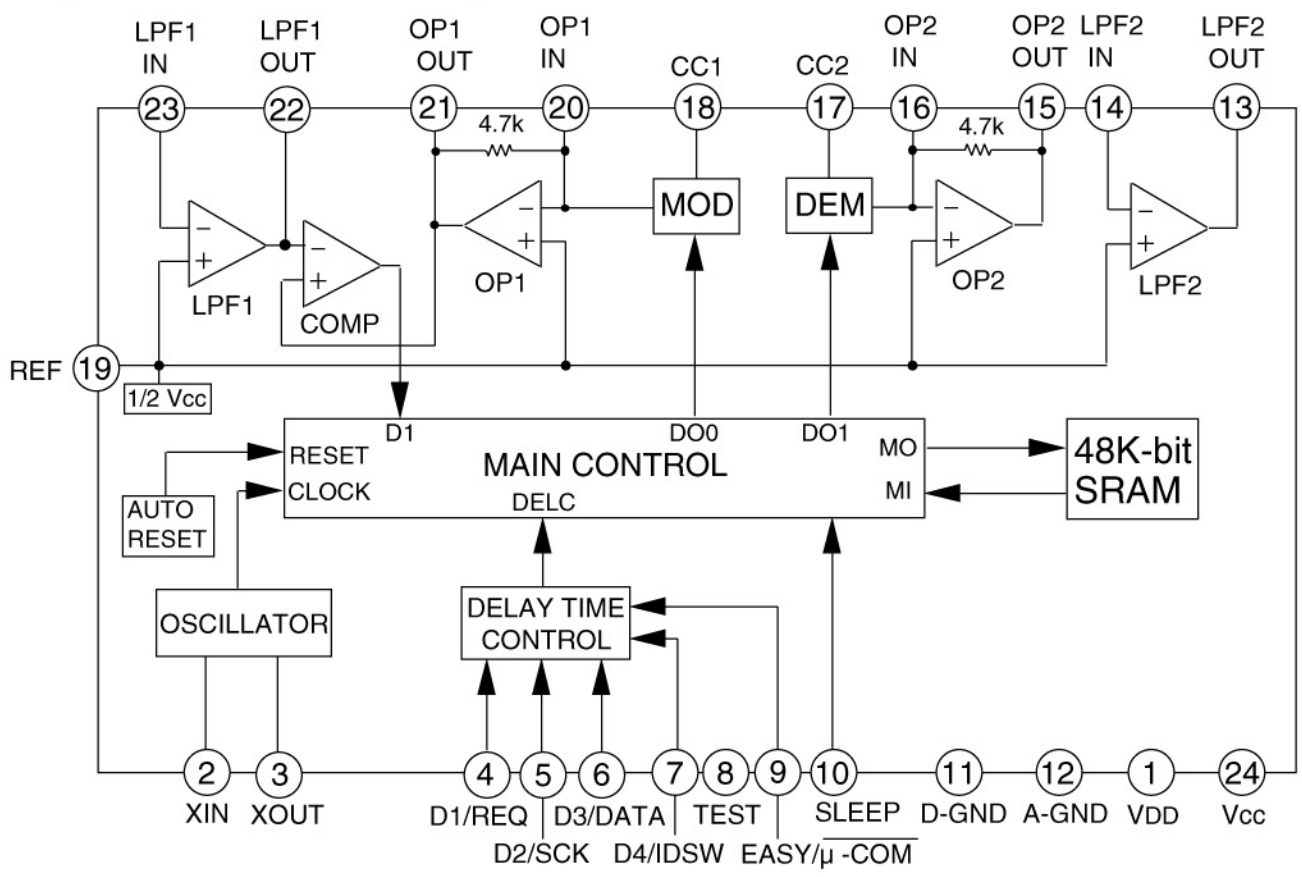


**PRELIMINARY**  
 Notice ; This is not a final specification.  
 some parametric limits are subject to change.

# M65831AP/FP

## DIGITAL ECHO (DIGITAL DELAY)

### BLOCK DIAGRAM



Unit Resistance:Ω

**PRELIMINARY**  
 Notice ; This is not a final specification.  
 some parametric limits are subject to change.

# M65831AP/FP

## DIGITAL ECHO (DIGITAL DELAY)

### PIN DESCRIPTION

No.	Symbol	Name	I/O	Function
①	V <sub>DD</sub>	Digital V <sub>DD</sub>	—	Supply voltage
②	X <sub>IN</sub>	Oscillator input	I	
③	X <sub>OUT</sub>	Oscillator output	O	Connects to 2MHz ceramic filter
④	D1/REQ	Delay1/Request	I	Easy mode:inputs D1 data μ -COM mode:inputs request data
⑤	D2/SCK	Delay2/Shift clock	I	Easy mode:inputs D2 data μ -COM mode:inputs shift clock
⑥	D3/DATA	Delay3/Serial data	I	Easy mode:inputs D3 data μ -COM mode:inputs serial data
⑦	D4/IDSW	Delay4/ID switch	I	Easy mode:inputs D4 data μ -COM mode:controls ID code
⑧	TEST	Test	I	L=normal mode
⑨	EASY/ μ -COM	Easy/ μ -COM	I	H=easy mode L=μ -COM mode
⑩	SLEEP	Sleep	I	H=sleep mode L=normal mode
⑪	D GND	Digital GND	—	Connects to analog GND at one point
⑫	A GND	Analog GND	—	Connects to analog GND
⑬	LPF2 OUT	Low pass filter2 output	O	Forms low pass filter with external C.R
⑭	LPF2 IN	Low pass filter2 input	I	
⑮	OP2 OUT	OP-AMP2 output	O	Forms integrator with external C.R
⑯	OP2 IN	OP-AMP2 input	I	
⑰	CC2	Current control 2	—	
⑱	CC1	Current control 1	—	
⑲	REF	Reference	—	=1/2V <sub>CC</sub>
⑳	OP1 IN	OP-AMP1 input	I	Forms integrator with external C.R
㉑	OP1 OUT	OP-AMP1 output	O	
㉒	LPF1 OUT	Low pass filter1 output	O	Forms low pass filter with external C.R
㉓	LPF1 IN	Low pass filter1 input	I	
㉔	V <sub>CC</sub>	Analog V <sub>CC</sub>	—	Supply voltage

**PRELIMINARY**  
 Notice ; This is not a final specification.  
 some parametric limits are subject to change.

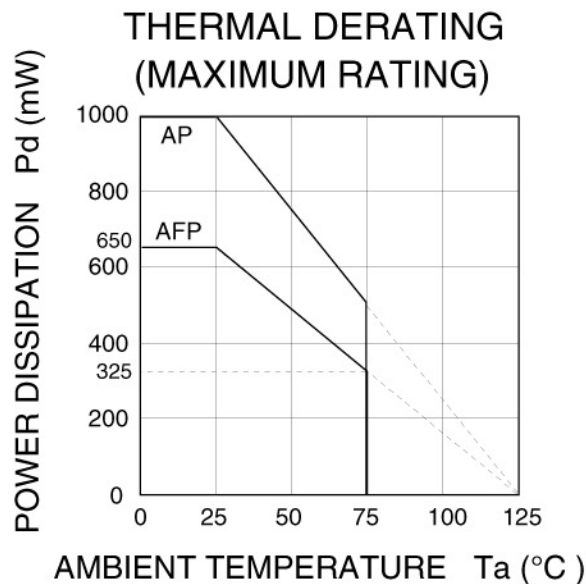
# M65831AP/FP

## DIGITAL ECHO (DIGITAL DELAY)

### ABSOLUTE MAXIMUM RATINGS

(Vcc=5V, f=1kHz, Vi=100mVrms, Ta=25°C, unless otherwise noted)

Symbol	Parameter	Conditions	Ratings	Units
Vcc	Supply voltage		6.5	V
Icc	Circuit current		100	mA
Pd	Power dissipation	M65831AP	1	W
		M65831AFP	650	mW
Topr	Operating temperature		-20~+75	°C
Tstg	Storage temperature		-40~+125	°C



### RECOMMENDED OPERATING CONDITIONS

Symbol	Parameter	Conditions	Limits			Units
			Min	Typ	Max	
Vcc	Supply voltage		4.5	5	5.5	V
VDD	Supply voltage		4.5	5	5.5	V
Vcc-VDD	Difference voltage		-0.3	0	0.3	V
fck	Clock frequency		1	2	3	MHz
VIH	High input voltage		0.7VDD		VDD	V
VIL	Low input voltage		0		0.3VDD	V



**PRELIMINARY**  
 Notice ; This is not a final specification.  
 some parametric limits are subject to change.

# M65831AP/FP

## DIGITAL ECHO (DIGITAL DELAY)

### ELECTRICAL CHARACTERISTICS

(Vcc=5V, f=1kHz, Vi=100mVrms, Ta=25°C, unless otherwise noted)

Symbol	Parameter	Test conditions	Limits			Units	
			Min	Typ	Max		
Icc	Circuit current	No signal	—	18.0	40.0	mA	
Gv	Voltage gain	RL=47kΩ	-3.5	-0.5	2.5	dB	
Vomax	Maximum output voltage	THD=10%	0.7	1	—	Vrms	
THD	Output distortion	30kHz LPF	fs=500kHz	—	0.3	1.0	%
			fs=250kHz	—	0.5	1.5	
No	Output noise voltage	DIN-AUDIO (fs=250kHz)	—	-92	-75	dBV	
SVRR	Supply voltage rejection ratio	ΔVcc=-20dBV, f=100Hz	—	-40	-25	dB	
TMUTE	Mute time	Upon changing Delay Time	508	528	548	ms	
		Upon canceling Sleep Mode	508	528	548		
Iccs	Circuit current (Sleep mode)	Sleep Mode	—	14.0	30.0	mA	

**PRELIMINARY**  
 Notice ; This is not a final specification.  
 some parametric limits are subject to change.

# M65831AP/FP

## DIGITAL ECHO (DIGITAL DELAY)

### OPERATION

#### 1) DELAY TIME

D4	D3	D2	D1	fs	Td
L	L	L	L	500	12.3
			H		24.6
		H	L		36.9
			H		49.2
	H	L	L		61.4
			H		73.7
		H	L		86.0
			H		98.3
H	L	L	L	250	110.6
			H		122.9
		H	L		135.2
			H		147.5
	H	L	L		159.7
			H		172.0
		H	L		184.3
			H		196.6

fs=sampling frequency(kHz)  
 Td=delay time(msec)

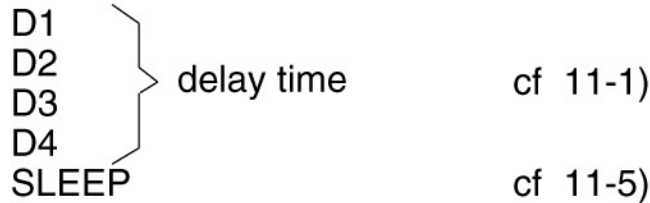
**PRELIMINARY**  
 Notice ; This is not a final specification.  
 some parametric limits are subject to change.

# M65831AP/FP

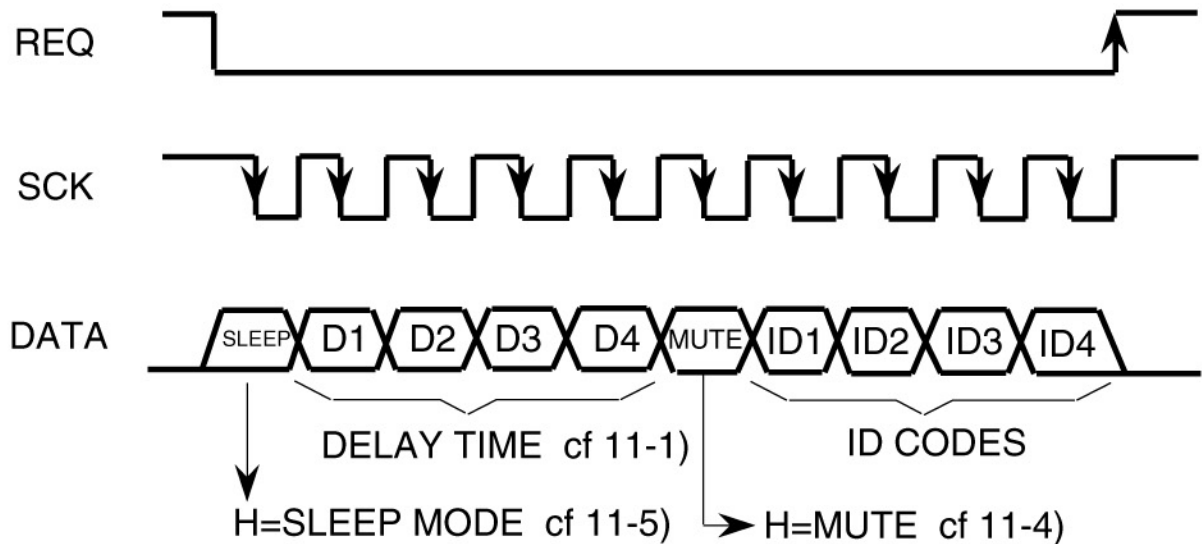
## DIGITAL ECHO (DIGITAL DELAY)

### 2) EASY MODE(EASY / $\overline{\mu\text{-COM}}=H$ )

D1,D2,D3,D4 and sleep are for easy mode



### 3) $\mu\text{-COM}$ MODE(EASY / $\overline{\mu\text{-COM}}=L$ )



TIMING DIAGRAM

This Timing chart shows that delay time is set by serial data from  $\mu\text{-COM}$ .

DATA signal is latched at the falling edge of SCK signal, the last ten data are set at the rising edge of REQ signal when ID codes are satisfied. \*

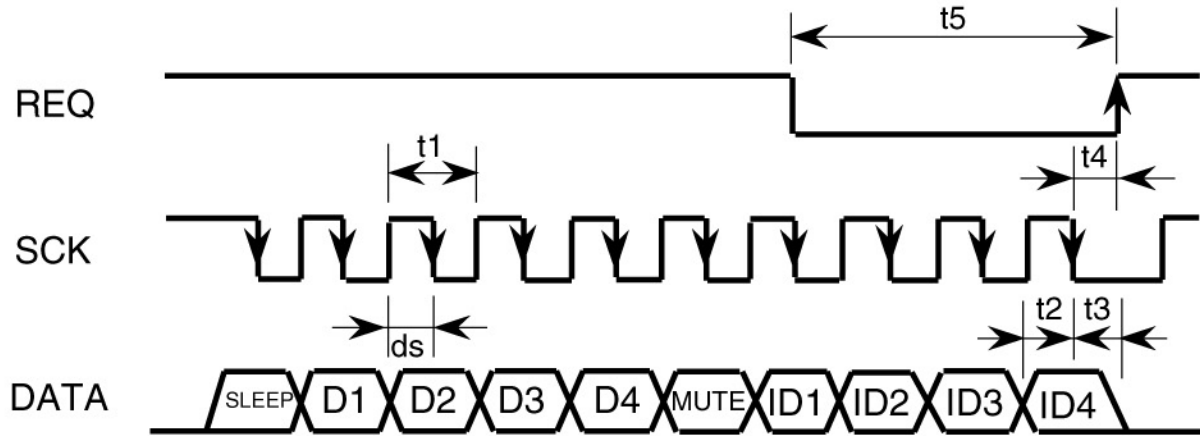
\* { ID1, ID3: L  
 ID2 : H  
 ID4 : equal to IDSW

**PRELIMINARY**  
 Notice ; This is not a final specification.  
 some parametric limits are subject to change.

# M65831AP/FP

## DIGITAL ECHO (DIGITAL DELAY)

### REQ,SCK,DATA INPUT TIMING



Symbol	Parameter	min	typ	max	Units
$t_1$	SCK pulse width	250	—	—	nsec
$ds$	SCK pulse duty	—	50	—	%
$t_2$	DATA setup time	100	$t_1/2$	—	nsec
$t_3$	DATA hold time	100	$t_1/2$	—	nsec
$t_4$	REQ hold time	100	—	—	nsec
$t_5$	REQ pulse width	250	—	—	nsec

**PRELIMINARY**  
Notice ; This is not a final specification.  
some parametric limits are subject to change.

# M65831AP/FP

## DIGITAL ECHO (DIGITAL DELAY)

### 4) MUTING

#### (1) Easy mode

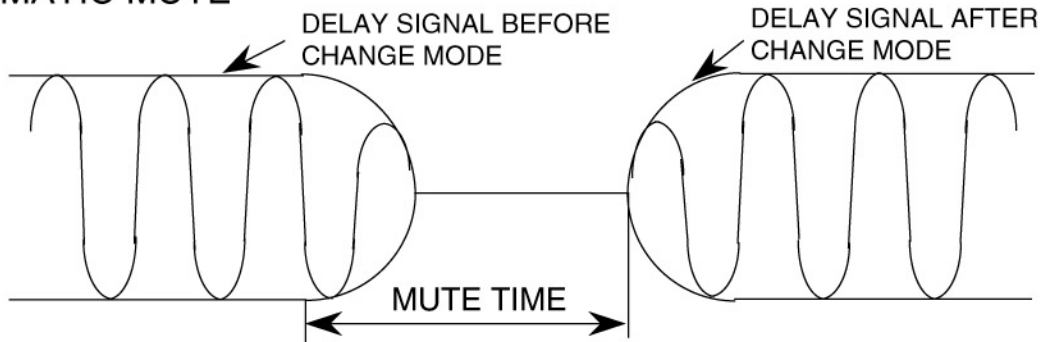
Automatic mute upon changing delay time, cancelling SLEEP mode and power-on.

#### (2) $\mu$ -COM mode

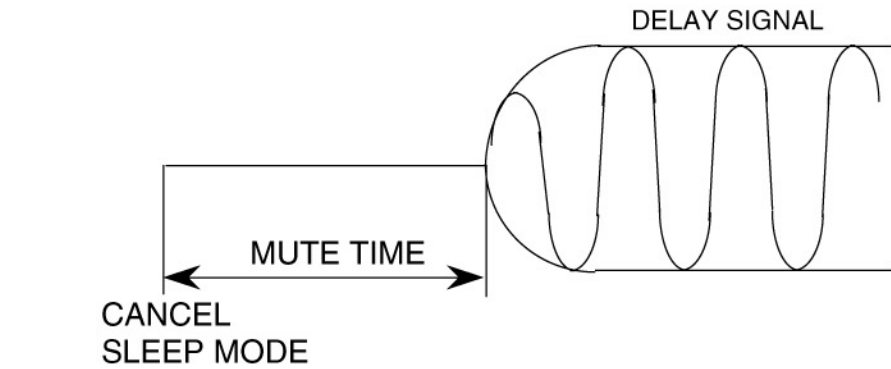
MUTE=H:mute

MUTE=L:automatic mute

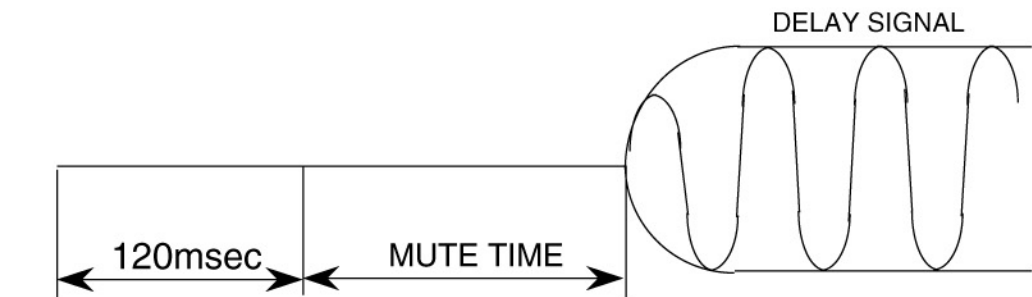
### AUTOMATIC MUTE



(a) UPON CHANGING DELAY TIME



(b) UPON CANCELLING SLEEP MODE



POWER ON

(c) UPON POWER-ON

**PRELIMINARY**  
Notice ; This is not a final specification.  
some parametric limits are subject to change.

MITSUBISHI SOUND PROCESSOR ICs

# M65831AP/FP

## DIGITAL ECHO (DIGITAL DELAY)

---

### 5) SLEEP MODE

SLEEP data is

( H:clock and RAM stop to reduce circuit current (SLEEP mode)  
L:normal operation

### 6) SYSTEM RESET

Automatically reset power-on. The reset time is about 120msec.

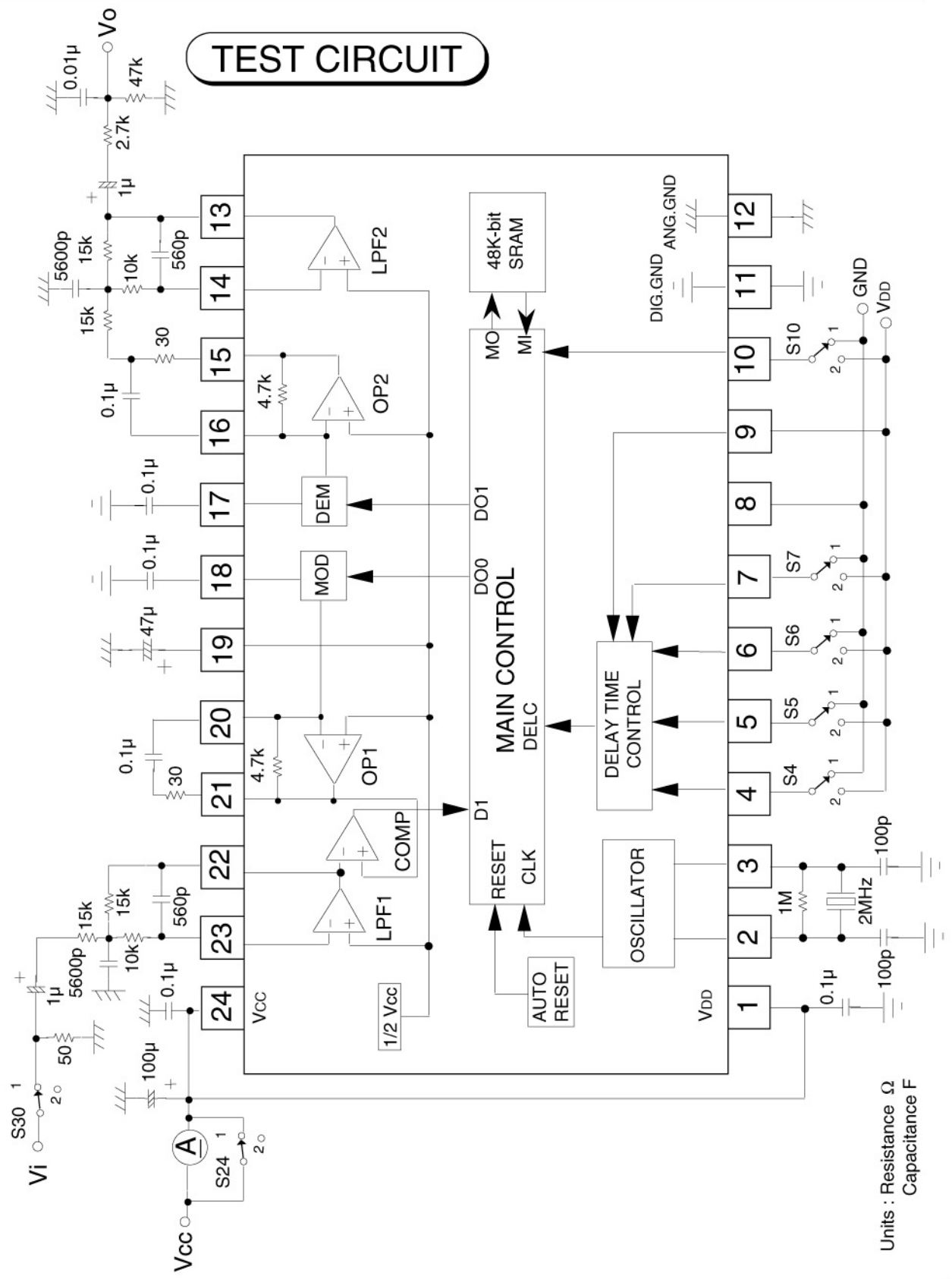
Delay time is set at 147.5msec.

**PRELIMINARY**  
 Notice ; This is not a final specification.  
 some parametric limits are subject to change.

# M65831AP/FP

## DIGITAL ECHO (DIGITAL DELAY)

### TEST CIRCUIT



Units : Resistance Ω  
 Capacitance F

**PRELIMINARY**  
 Notice ; This is not a final specification.  
 some parametric limits are subject to change.

# M65831AP/FP

## DIGITAL ECHO (DIGITAL DELAY)

### TEST METHODS

Switch condition

\* 1 or 2

No	Parameter	Sampling frequency	Symbol	S 4	S 5	S 6	S 7	S 10	S 24	S 30	notes
1	Current circuit	—	Icc	1	1	1	1	1	2	2	No signal
2	Voltage gain	500kHz	Gv1	*	*	*	1	1	1	1	
		250kHz	Gv2	*	*	*	2	1	1	1	
3	Delay time	500kHz	Tda	1	1	1	1	1	1	1	cf. 11-1)
			Tdb	2	1	1	1	↓	↓	↓	
			Tdc	1	2	1	1	↓	↓	↓	
			Tdd	2	2	1	1	↓	↓	↓	
			Tde	1	1	2	1	↓	↓	↓	
			Tdf	2	1	2	1	↓	↓	↓	
			Tdg	1	2	2	1	↓	↓	↓	
		250kHz	Tdh	2	2	2	1	↓	↓	↓	
			Tdi	1	1	1	2	↓	↓	↓	
			Tdj	2	1	1	2	↓	↓	↓	
			Tdk	1	2	1	2	↓	↓	↓	
			Tdl	2	2	1	2	↓	↓	↓	
			Tdm	1	1	2	2	↓	↓	↓	
			Tdn	2	1	2	2	↓	↓	↓	
Tdo	1	2	2	2	↓	↓	↓				
Tdp	2	2	2	2	1	1	1				
4	Output voltage (max)	500kHz	Vomax 1	*	*	*	1	1	1	1	30kHz L.P.F. THD=10%
		250kHz	Vomax 2	*	*	*	2	1	1	1	
5	Total harmonic distortion	500kHz	THD 1	*	*	*	1	1	1	1	30kHz L.P.F.
		250kHz	THD 2	*	*	*	2	1	1	1	
6	Output noise voltage	250kHz	No	*	*	*	2	1	1	1	DIN AUDIO Vi=0mVrms
7	Supply voltage rejection ratio	—	SVRR	*	*	*	*	1	1	2	ΔVcc=-20dBv, f=100Hz
8	Mute time	—	MUTE T	<sup>2</sup> ↓ <sub>1</sub>	*	*	*	1	1	1	Upon changing Delay Time
		—	MUTE S	*	*	*	*	<sup>2</sup> ↓ <sub>1</sub>	1	1	Upon cancelling Sleep Mode



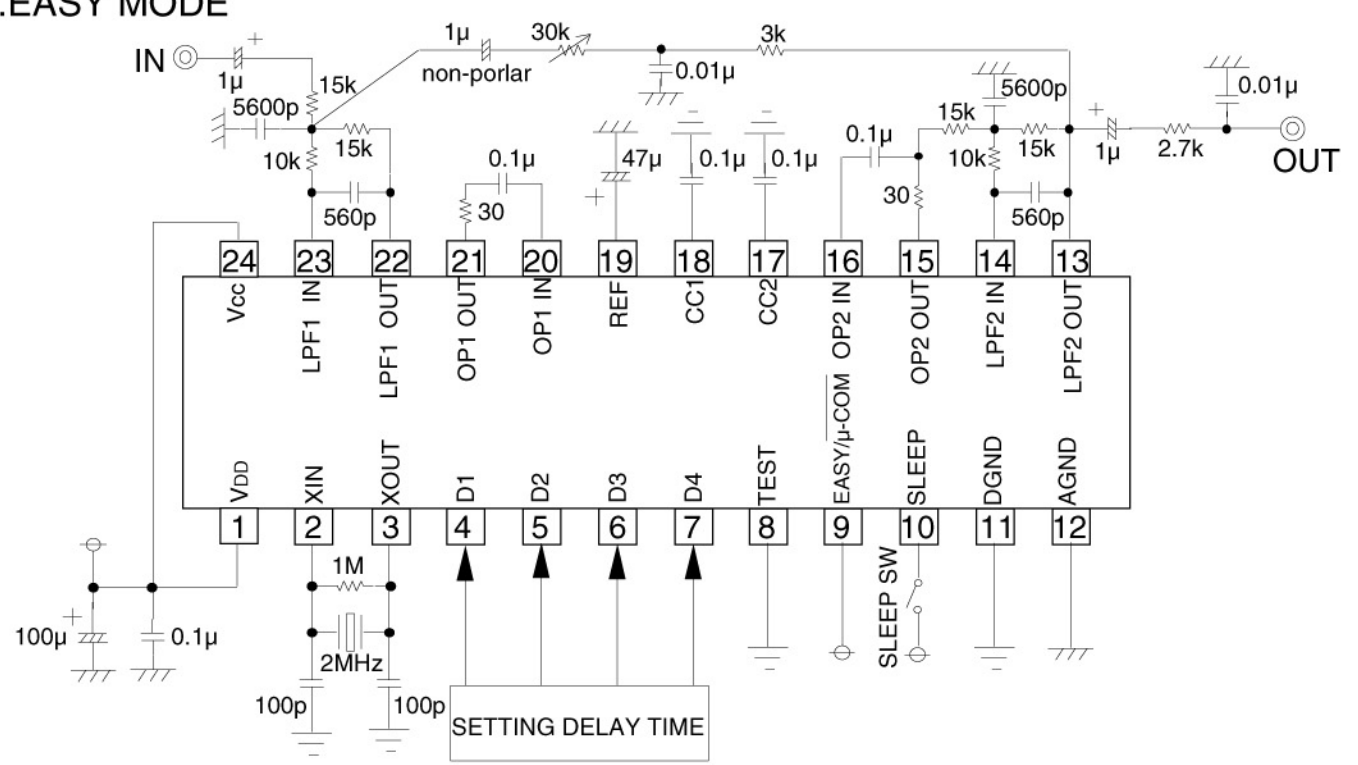
**PRELIMINARY**  
 Notice ; This is not a final specification.  
 some parametric limits are subject to change.

# M65831AP/FP

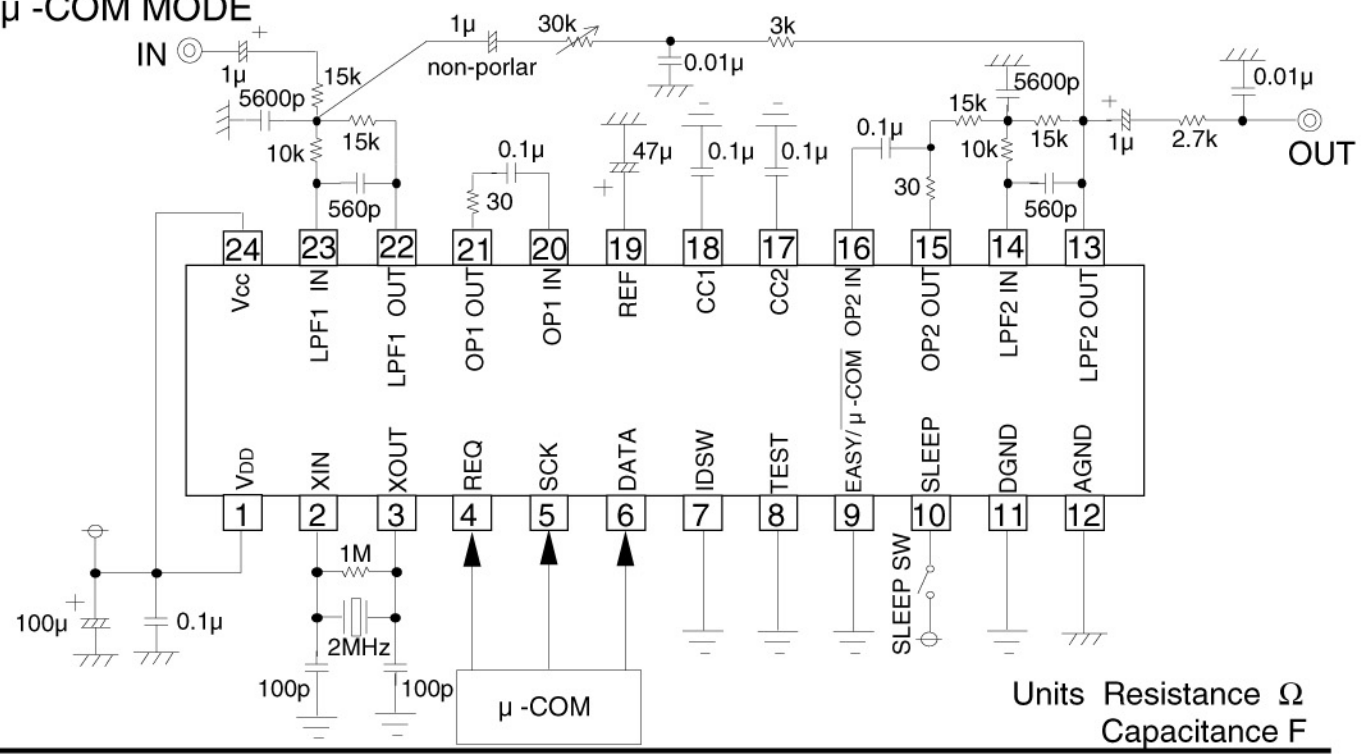
## DIGITAL ECHO (DIGITAL DELAY)

### APPLICATION EXAMPLE

#### 1.EASY MODE



#### 2.µ -COM MODE



Units Resistance Ω  
 Capacitance F