

PRODUCT NUMBER  
10075025-XXX-XXXLF

PLATING \_\_\_\_\_

S = 0.38µm GOLD/GXT ON CONTACT AREA  
2µm MIN MATTE TIN ON TAIL

G = 0.76µm GOLD/GXT ON CONTACT AREA  
2µm MIN MATTE TIN ON TAIL

F = GOLD FLASH ON CONTACT AREA  
2µm MIN MATTE TIN ON TAIL

1.27µm MIN NICKEL UNDERPLATING

LEAD FREE  
RoHS COMPATIBLE  
NOTE 7

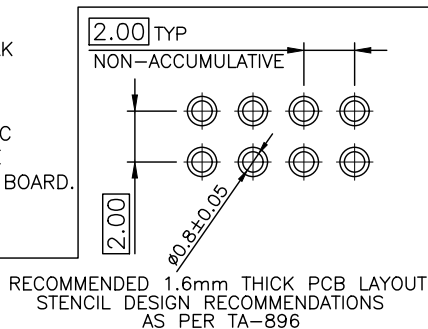
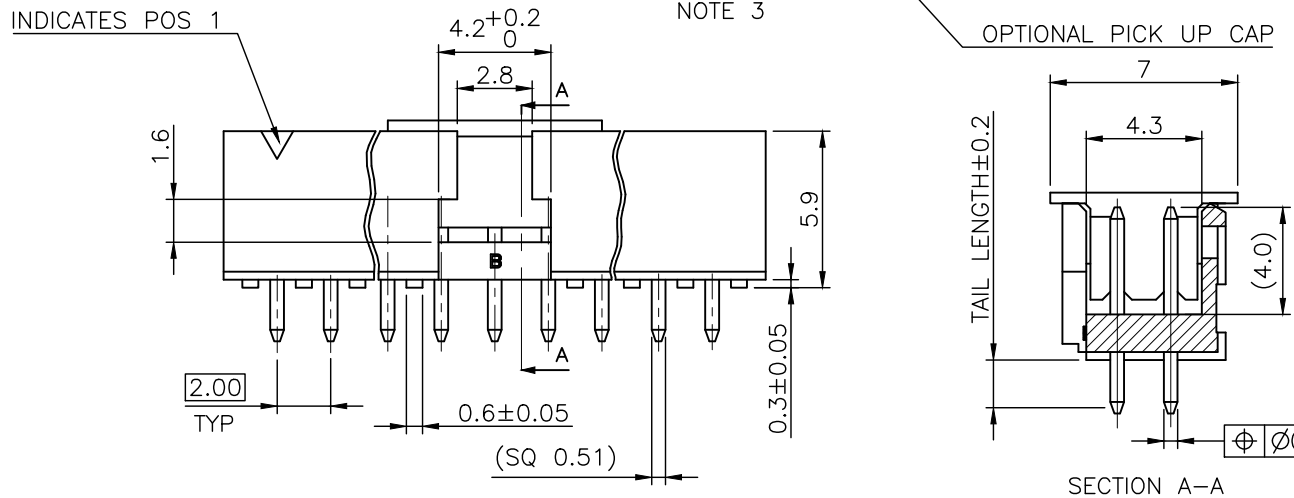
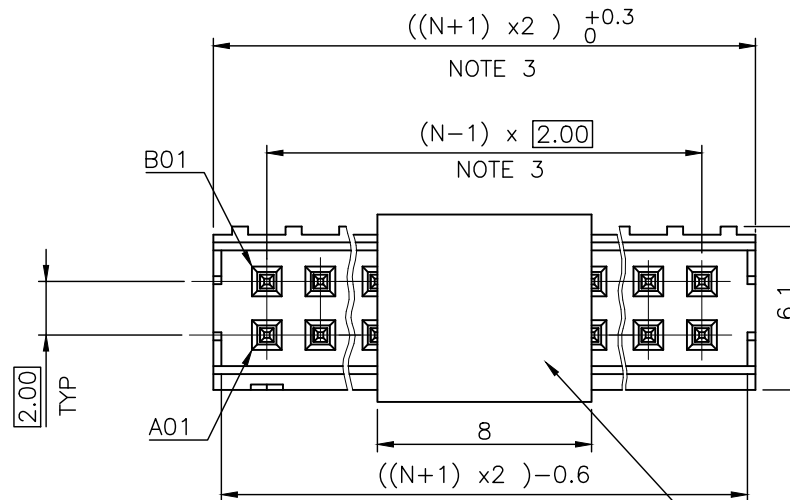
PACKAGING  
NOTE 5

TOTAL NUMBER OF  
POSITIONS 04 TO 50

PIN STYLE	TAIL LENGTH	MISSING PIN POSITION
01	2.00	
02	2.50	
03	2.00	A01
04	5.00	

NOTES:

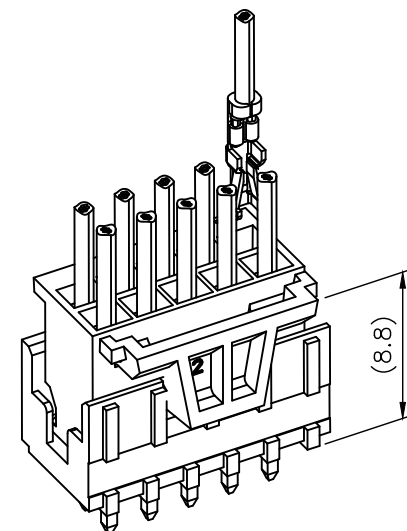
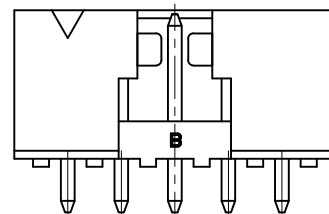
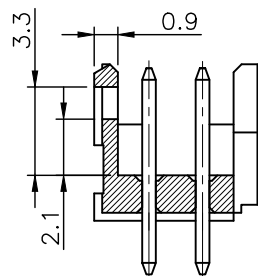
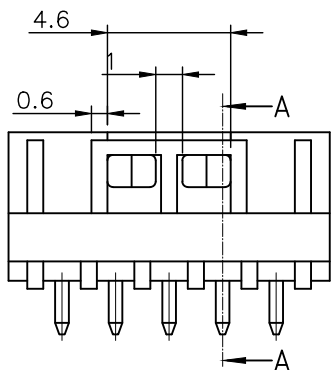
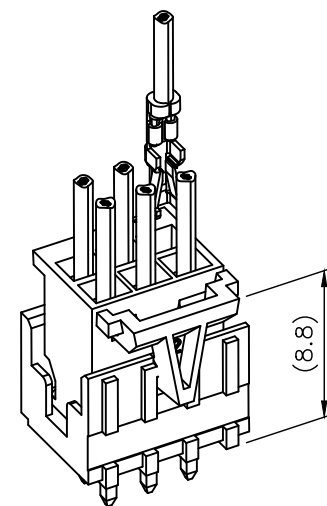
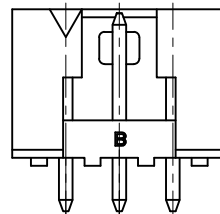
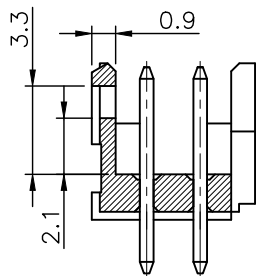
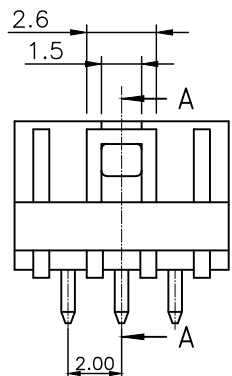
- MATERIAL HOUSING: HIGH TEMP. THERMOPLASTIC UL 94V-0, COLOR NATURAL
- MATERIAL TERMINAL: COPPER ALLOY
- TO DETERMINE DIMENSIONS:  
N = NUMBER OF POSITIONS PER ROW
- 7N MIN. PIN RETENTION IN EITHER DIRECTION.
- PACKAGING:  
= STANDARD PACKAGING IN POLYBAG  
U = TUBE AVAILABLE FROM 03 TO 25 POS PER ROW  
A = TAPE & REEL WITH PICK UP CAP, AS AVAILABLE.
- POLARIZATION :  
- SEE TABLE FOR AVAILABILITY  
- FOR NEW REQUEST, PLEASE TO CONTACT FCI
- RoHS COMPATIBLE PRODUCT SPECIFICATIONS
  - PLATING:  
- "LF" MEANS THE PRODUCT IS LEAD-FREE,  
2µm MINIMUM MATTE TIN OVER 1.27µm MINIMUM NICKEL UNDERPLATE.
  - MANUFACTURING PROCESS COMPATIBILITY  
- THE HOUSING WILL WITHSTAND EXPOSURE TO 260°C PEAK TEMPERATURE FOR 30 SECONDS MAX IN A CONVECTION, INFRA-RED, OR VAPOR PHASE OR REFLOW OVEN  
- THE HOUSING WILL WITHSTAND EXPOSURE TO 260°C ±5°C SOLDER BATH TEMPERATURE FOR 5 SECONDS IN A WAVE SOLDER APPLICATION WITH A 1.6mm MIN THICK CIRCUIT BOARD.
  - LABELLING:  
- MEETS PACKAGING SPECS AS PER GS-14-920
  - LEGAL STATEMENT : SEE GS-47-0004



mat'l. code		surface	tolerance	projection	product family
		ISO 1302	ISO 406 ISO 1101		MINITEK
ltr ecn no dr date		tolerances unless otherwise specified		title	
Y	F-42796	DDE	21.11.04	SHROUDED HEADER	
AA	F-45783	DDE	22.08.30	2.00 mm VERTICAL PIP	
		angles	linear	mm	scale 5:1
			.x ±0.3		
			.xx ±0.15		
			.xxx ±0.05		
U	F-34620	DDE	19.08.20	dr	L MULIN 07.01.04
V	F-39200	DDE	20.12.03	engr	J.COMPAGNON 07.01.04
W	F-39408	DDE	20.12.21	chr	
X	F-39557	DDE	21.01.07	appd	JM.C 07.01.04
sheet	revision	AA	E		
index	sheet	1	2		



2x3 POS AND 2x4 POS CONFIGURATION  
NO LATCHING AVAILABLE FOR 2x2 POS



2x5 POS UP TO 2x25 POS CONFIGURATION

LATCHING FEATURES WHEN USED IN COMBINATION  
WITH ACTIVE LATCH HOUSING 10073599

mat'l. code		surface ISO 1302		tolerance ISO 406 ISO 1101		projection mm		product family MINITEK	
ltr	ecn no	dr	date	tolerances unless otherwise specified		mm		title	
A	F06-0113	LMU	08.01.07	angles	linear	.x ±0.3	SHROUDED HEADER		
B	B-17556	JCO	14.04.23			.xx ±0.15	2.00 mm VERTICAL PIP		
C	F-39557	DDE	21.01.07			.xxx ±0.05	scale 5:1	dwg no	
D	F-42796	DDE	21.11.04	dr	L MULIN	07.12.04	sheet 2 of 2		
E	F-45783	DDE	22.08.30	engr	J.COMPAGNON	07.12.04	size		
				chr			10075025		
				appd	JM.C	07.12.04	A3		
sheet index		revision sheet				type		CUSTOMER Drawing	



FCIconnect.com

Copyright FCI

D