

+3.3V, 2.7Gbps Dual 2 × 2 Crosspoint Switch

General Description

The MAX3840 is a dual 2 × 2 asynchronous crosspoint switch for SDH/SONET DWDM and other high-speed data switching applications where serial data stream loop-through and protection channel switching are required. It is ideal for OC-48 systems with forward error correction. A high-bandwidth, fully differential signal path minimizes jitter accumulation, crosstalk, and signal skew. Each 2 × 2 crosspoint switch can fan out and/or multiplex up to 2.7Gbps data and 2.7GHz clock signals. All inputs and outputs are current mode logic (CML) compatible and easily adaptable to interface with an AC-coupled LVPECL signal. When not used, each CML output stage can be powered down with an enable control to conserve power. The typical power consumption is 460mW with all outputs enabled.

The MAX3840 is compatible with the MAX3876 2.5Gbps clock and data recovery (CDR) circuit.

The MAX3840 is available in a 32-pin exposed-pad QFN package (5mm × 5mm footprint) and operates from a +3.3V supply over a temperature range of -40°C to +85°C.

Applications

SDH/SONET and DWDM Transport Systems
 Add-Drop Multiplexers
 ATM Switch Cores
 WDM Cross-Connects
 High-Speed Backplanes

Features

- ◆ Single +3.3V Supply
- ◆ 460mW Power Consumption
- ◆ 2ps_{RMS} Random Jitter
- ◆ 7psp-p Deterministic Jitter
- ◆ Power-Down Feature for Deselected Outputs
- ◆ CML Inputs/Outputs
- ◆ 6ps Channel-to-Channel Skew
- ◆ 100ps Output Edge Speed
- ◆ 5mm × 5mm 32 QFN or Thin QFN Package

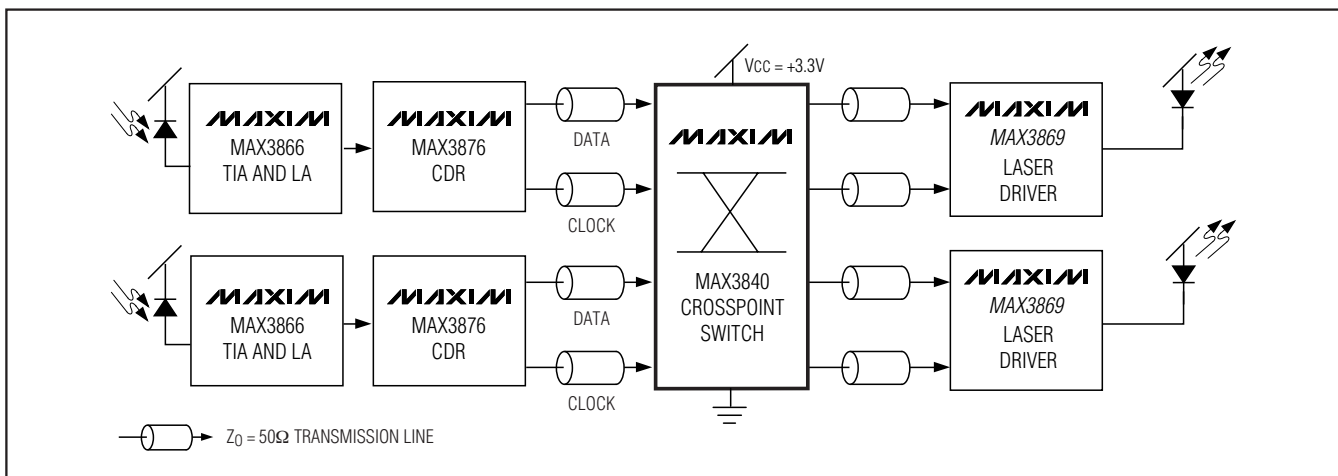
Ordering Information

| PART | TEMP RANGE | PIN-PACKAGE | PKG CODE |
|-------------|----------------|-------------|----------|
| MAX3840ETJ+ | -40°C to +85°C | 32 TQFN | T3255-3 |
| MAX3840EGJ | -40°C to +85°C | 32 QFN | G3255-1 |

+Denotes a lead-free package.

Pin Configurations appear at end of data sheet.

Typical Application Circuit



+3.3V, 2.7Gbps Dual 2 × 2 Crosspoint Switch

ABSOLUTE MAXIMUM RATINGS

Supply Voltage, V_{CC} -0.5V to +5.0V
 Input Voltage (CML)($V_{CC} - 1.0$) to ($V_{CC} + 0.5$)V
 TTL Control Input Voltage.....-0.5V to ($V_{CC} + 0.5$)V
 Output Currents (CML)22mA
 Continuous Power Dissipation ($T_A = +85^\circ\text{C}$)
 32-Pin TQFN
 32-Pin QFN
 (derate 21.3mW/ $^\circ\text{C}$ above +85 $^\circ\text{C}$).....1.38W

32-Pin QFN
 (derate 21.3mW/ $^\circ\text{C}$ above +85 $^\circ\text{C}$).....1.38W
 Operating Temperature Range-40 $^\circ\text{C}$ to +85 $^\circ\text{C}$
 Operating Junction Temperature Range.....-55 $^\circ\text{C}$ to +150 $^\circ\text{C}$
 Storage Temperature Range-65 $^\circ\text{C}$ to +160 $^\circ\text{C}$
 Lead Temperature (soldering, 10s).....+300 $^\circ\text{C}$

Stresses beyond those listed under "Absolute Maximum Ratings" may cause permanent damage to the device. These are stress ratings only, and functional operation of the device at these or any other conditions beyond those indicated in the operational sections of the specifications is not implied. Exposure to absolute maximum rating conditions for extended periods may affect device reliability.

DC ELECTRICAL CHARACTERISTICS

($V_{CC} = +3.0\text{V}$ to +3.6V, $T_A = -40^\circ\text{C}$ to +85 $^\circ\text{C}$. Typical values are at $V_{CC} = +3.3\text{V}$, $T_A = +25^\circ\text{C}$, unless otherwise noted.)

| PARAMETER | SYMBOL | CONDITIONS | MIN | TYP | MAX | UNITS |
|--|----------|---|----------------|----------------|----------------|-------------------|
| Supply Current | I_{CC} | All outputs enabled | | 140 | 190 | mA |
| CML INPUT AND OUTPUT SPECIFICATIONS | | | | | | |
| CML Differential Output Swing | | $R_L = 50\Omega$ to V_{CC} (Figure 2) | 640 | 800 | 1000 | mV _{p-p} |
| Differential Output Impedance | | | 85 | 100 | 115 | Ω |
| CML Output Common-Mode Voltage | | $R_L = 50\Omega$ to V_{CC} | | $V_{CC} - 0.2$ | | V |
| CML Single-Ended Input Voltage Range | V_{IS} | | $V_{CC} - 0.8$ | | $V_{CC} + 0.5$ | V |
| CML Differential Input Voltage Swing | | | 300 | | 2000 | mV _{p-p} |
| CML Single-Ended Input Impedance | | | 42.5 | 50 | 57.5 | Ω |
| TTL SPECIFICATIONS | | | | | | |
| TTL Input High Voltage | V_{IH} | | 2.0 | | | V |
| TTL Input Low Voltage | V_{IL} | | | | 0.8 | V |
| TTL Input High Current | I_{IH} | | -10 | | +10 | μA |
| TTL Input Low Current | I_{IL} | | -10 | | +10 | μA |

+3.3V, 2.7Gbps Dual 2 × 2 Crosspoint Switch

MAX3840

AC ELECTRICAL CHARACTERISTICS

(V_{CC} = +3.0V to +3.6V, T_A = -40°C to +85°C. Typical values are at V_{CC} = +3.3V, T_A = +25°C, unless otherwise noted.) (Note 1)

| PARAMETER | SYMBOL | CONDITIONS | MIN | TYP | MAX | UNITS |
|--|---------------------------------|---|-----|-----|-----|-------------------|
| CML Input and Output Data Rate | | | | 2.7 | | Gbps |
| CML Input and Output Clock Rate | | | | 2.7 | | GHz |
| CML Output Rise and Fall Time | t _r , t _f | 20% to 80% | | 100 | 136 | ps |
| CML Output Random Jitter | RJ | (Note 2) | | 2 | | psRMS |
| CML Output Deterministic Jitter | DJ | (Note 3) | | 7 | 20 | ps _{P-P} |
| CML Output Differential Skew | t _{skew1} | Any differential pair | | 7 | 25 | ps |
| CML Output Channel-to-Channel Skew | t _{skew2} | Any two outputs | | 15 | 40 | ps |
| Propagation Delay from Input-to-Output | t _d | | | 185 | | ps |
| CML Differential Output Swing for 2.7Gbps Input Data | | R _L = 50Ω to V _{CC} (Note 4) | 600 | | | mV _{P-P} |
| CML Differential Output Swing for 2.7GHz Input Clock | | R _L = 50Ω to V _{CC} (Note 5) | 520 | | | mV _{P-P} |

Note 1: AC characteristics are guaranteed by design and characterization.

Note 2: Measured with 100mV_{P-P} noise (f ≤ 2MHz) on the power supply.

Note 3: Deterministic jitter (DJ) is the arithmetic sum of pattern-dependent jitter and pulse-width distortion.

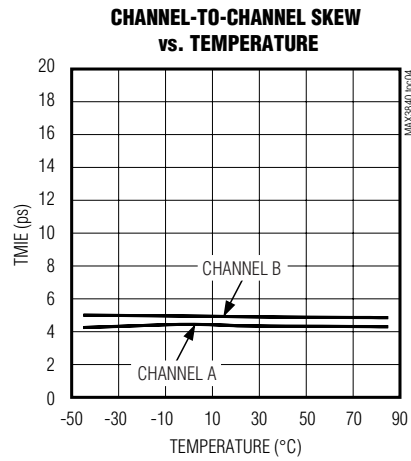
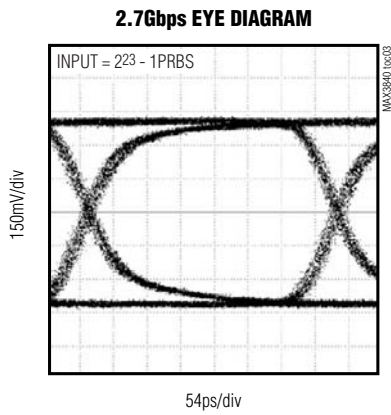
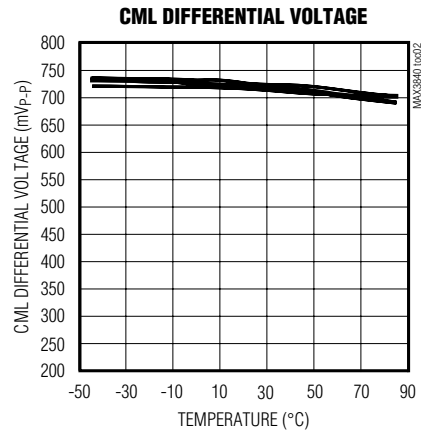
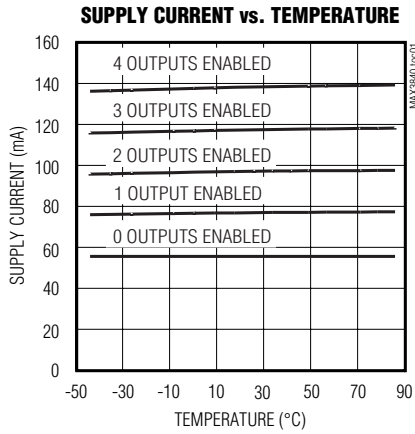
Note 4: Measured with 300mV_{P-P} differential 1010... data pattern driving the inputs.

Note 5: Measured with 300mV_{P-P} differential clock at 2.7GHz driving the inputs.

+3.3V, 2.7Gbps Dual 2 × 2 Crosspoint Switch

Typical Operating Characteristics

(V_{CC} = +3.3V, T_A = +25°C, unless otherwise noted.)



+3.3V, 2.7Gbps Dual 2 × 2 Crosspoint Switch

Pin Description

MAX3840

| PIN | NAME | FUNCTION |
|------------------------|-----------------|---|
| 1 | ENB1 | Channel B1 Output Enable, TTL Input. A TTL low input powers down B1 output stage. |
| 2 | DIB1+ | Channel B1 Positive Signal Input, CML |
| 3 | DIB1- | Channel B1 Negative Signal Input, CML |
| 4 | ENB0 | Channel B0 Output Enable, TTL Input. A TTL low input powers down B0 output stage. |
| 5 | SELB0 | Channel B0 Output Select, TTL Input. See Table 1. |
| 6 | DIB0+ | Channel B0 Positive Signal Input, CML |
| 7 | DIB0- | Channel B0 Negative Signal Input, CML |
| 8 | SELB1 | Channel B1 Output Select, TTL Input. See Table 1. |
| 9, 24 | GND | Supply Ground |
| 10, 13, 16, 17, 20, 23 | V _{CC} | Positive Supply |
| 11 | DOB0- | Channel B0 Negative Output, CML |
| 12 | DOB0+ | Channel B0 Positive Output, CML |
| 14 | DOB1- | Channel B1 Negative Output, CML |
| 15 | DOB1+ | Channel B1 Positive Output, CML |
| 18 | DOA1- | Channel A1 Negative Output, CML |
| 19 | DOA1+ | Channel A1 Positive Output, CML |
| 21 | DOA0- | Channel A0 Negative Output, CML |
| 22 | DOA0+ | Channel A0 Positive Output, CML |
| 25 | SELA1 | Channel A1 Output Select, TTL Input. See Table 1. |
| 26 | DIA0+ | Channel A0 Positive Signal Input, CML |
| 27 | DIA0- | Channel A0 Negative Signal Input, CML |
| 28 | SELA0 | Channel A0 Output Select, TTL Input. See Table 1. |
| 29 | ENA0 | Channel A0 Output Enable, TTL Input. A TTL low input powers down A0 output stage. |
| 30 | DIA1+ | Channel A1 Positive Signal Input, CML |
| 31 | DIA1- | Channel A1 Negative Signal Input, CML |
| 32 | ENA1 | Channel A1 Output Enable, TTL Input. A TTL low input powers down A1 output stage. |
| EP | Exposed Pad | Ground. The exposed pad must be soldered to the circuit board ground for proper electrical and thermal operation. |

+3.3V, 2.7Gbps Dual 2 × 2 Crosspoint Switch

Table 1. Output Routing

| ROUTING CONTROLS | | OUTPUT CONTROLS | | OUTPUT SIGNALS | |
|------------------|-------------|-----------------|-----------|---------------------|---------------------|
| SELA0/SELB0 | SELA1/SELB1 | ENA0/ENA1 | ENB0/ENB1 | Signal at DOA0/DOB0 | Signal at DOA1/DOB1 |
| 0 | 0 | 1 | 1 | DIA0/DIB0 | DIA0/DIB0 |
| 0 | 1 | 1 | 1 | DIA0/DIB0 | DIA1/DIB1 |
| 1 | 0 | 1 | 1 | DIA1/DIB1 | DIA0/DIB0 |
| 1 | 1 | 1 | 1 | DIA1/DIB1 | DIA1/DIB1 |
| X | X | 0 | 0 | Power Down | Power Down |

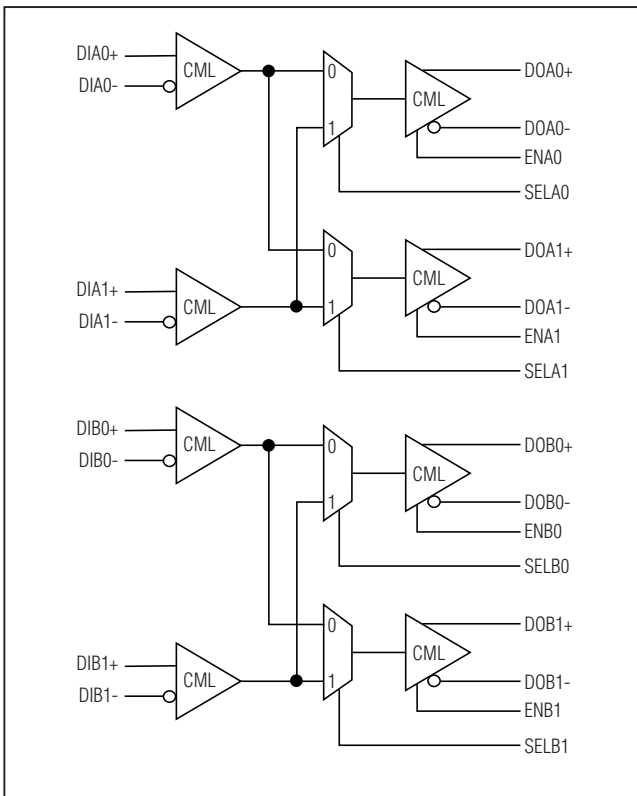


Figure 1. Functional Block Diagram

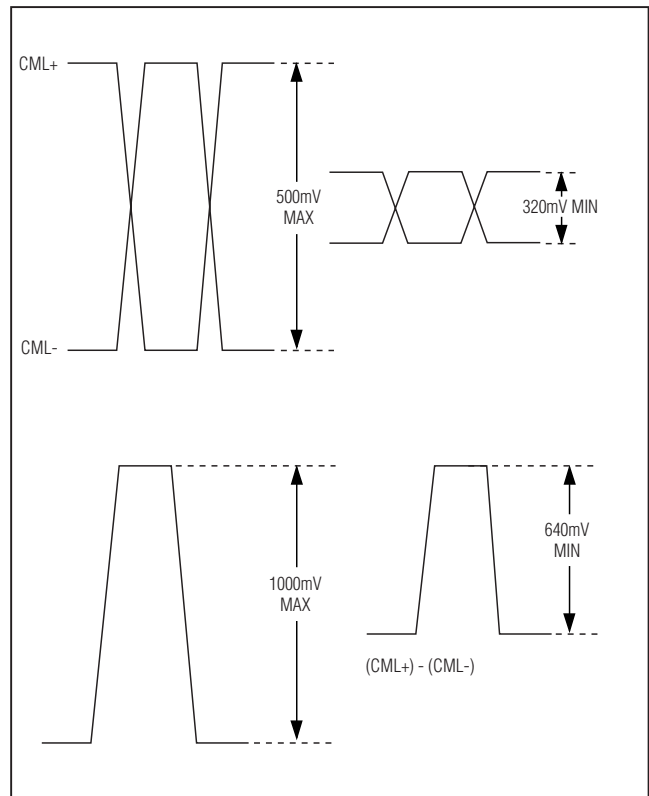


Figure 2. CML Output Levels

Detailed Description

The block diagram in Figure 1 shows the MAX3840 architecture. The SELA_n and SELB_n pins control the routing of the signals through the crosspoint switch. Each output of the crosspoint switch drives a CML output driver. Each of the outputs, DOA_n and DOB_n, is enabled or disabled by the respective ENA_n and ENB_n pins.

CML Inputs and Outputs

CML is used to simplify high-speed interfacing. On-chip input and output terminations minimize the number of external components required while improving signal integrity. The CML output signal swing is small, resulting in lower power consumption. The internal 50Ω input and output terminations minimize reflections and eliminate the need for external terminations.

+3.3V, 2.7Gbps Dual 2 × 2 Crosspoint Switch

Applications Information

Interfacing PECL Inputs and Outputs to the MAX3840

For information on interfacing with CML, refer to Maxim Application Note HFAN-01.0, *Introduction to LVDS, PECL, and CML*.

Layout Techniques

For best performance, use good high-frequency layout techniques, filter VCC supplies, and keep ground connections short. Use multiple vias where possible. Also, use controlled-impedance transmission lines to interface with the MAX3840 data inputs and outputs.

Interface Models

Figure 3 shows the interface model for the CML inputs, and Figure 4 shows the model for CML outputs.

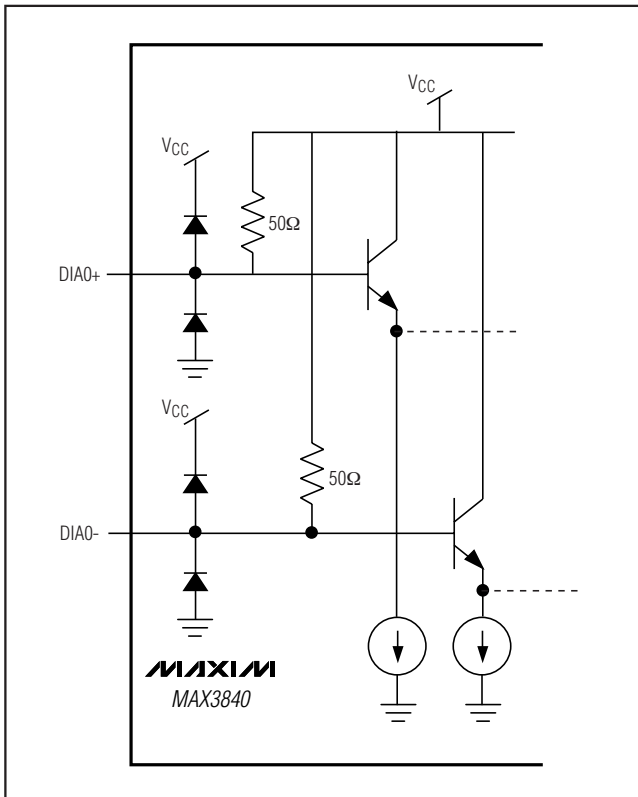


Figure 3. CML Input Model

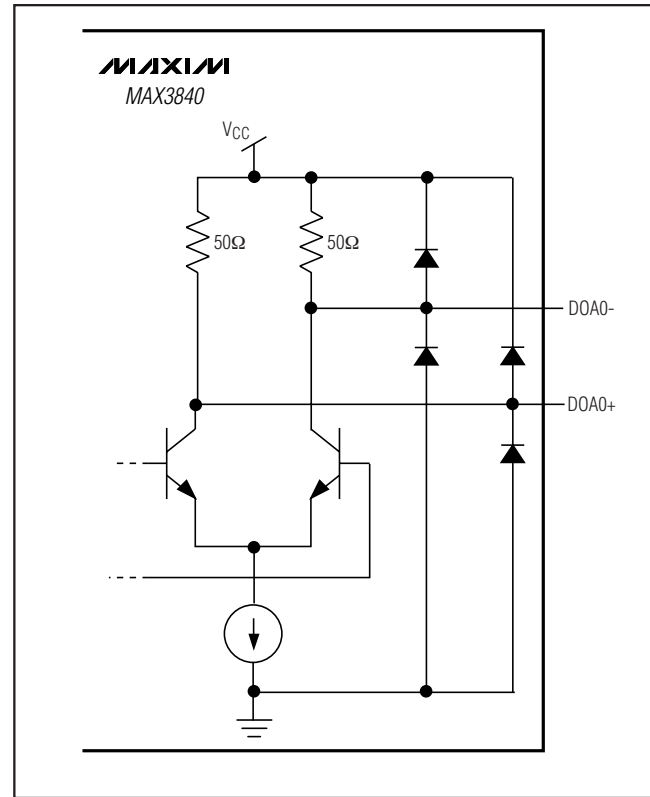
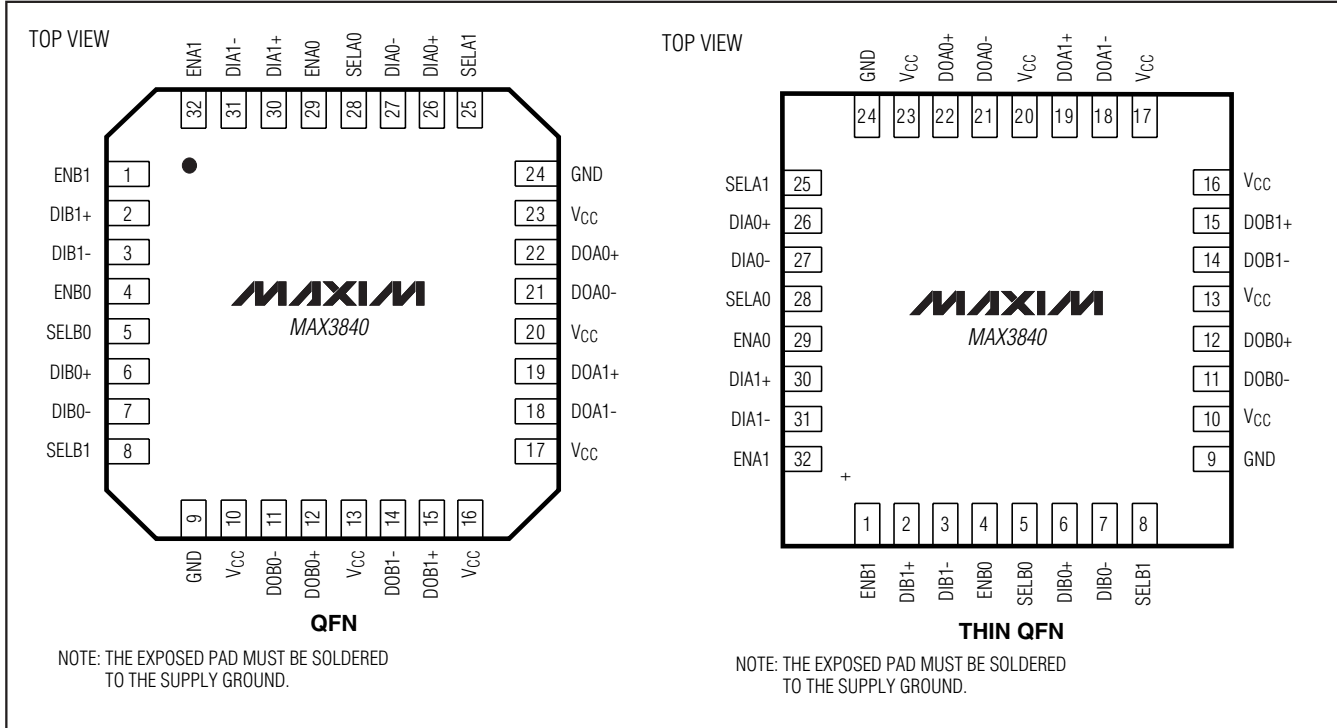


Figure 4. CML Output Model

+3.3V, 2.7Gbps Dual 2 × 2 Crosspoint Switch

Pin Configurations



Chip Information

TRANSISTOR COUNT: 1200
 PROCESS: Bipolar (SiGe)

Package Information

For the latest package outline information, go to www.maxim-ic.com/packages.

| PACKAGE TYPE | DOCUMENT NO. |
|--------------|-------------------------|
| 32 QFN | 21-0091 |
| 32 TQFN | 21-0140 |

Revision History

- Rev 1; 11/01: Corrected specification.
- Rev 2; 5/03: Added package code (page 1); updated package drawing (page 10).
- Rev 3; 5/05: Added lead-free package (pages 1, 2, 8, 11, 12).
- Rev 4; 12/05: Changed input voltage swing from 1.5V_{P-P} (max) to 2.0V_{P-P} (max).
- Rev 5; 9/07: Added two AC amplitude specifications to increase test coverage for 2.5Gbps and 2.7GHz clock inputs (page 3); removed package drawings and added package table (page 8).

Maxim cannot assume responsibility for use of any circuitry other than circuitry entirely embodied in a Maxim product. No circuit patent licenses are implied. Maxim reserves the right to change the circuitry and specifications without notice at any time.

8 Maxim Integrated Products, 120 San Gabriel Drive, Sunnyvale, CA 94086 408-737-7600

SITE
SEARCHPART NO.
SEARCH

WHAT'S NEW

PRODUCTS

SOLUTIONS

DESIGN

APPNOTES

SUPPORT

BUY

COMPANY

MEMBERS

MAX3840

Part Number Table

Notes:

1. See the [MAX3840 QuickView Data Sheet](#) for further information on this product family or download the [MAX3840 full data sheet](#) (PDF, 452kB).
2. Other options and links for purchasing parts are listed at: <http://www.maxim-ic.com/sales>.
3. [Didn't Find What You Need?](#) Ask our applications engineers. Expert assistance in finding parts, usually within one business day.
4. Part number suffixes: T or T&R = tape and reel; + = RoHS/lead-free; # = RoHS/lead-exempt. More: See [full data sheet](#) or [Part Naming Conventions](#).
5. * Some packages have variations, listed on the drawing. "PkgCode/Variation" tells which variation the product uses.

| Part Number | Free Sample | Buy Direct | Package: TYPE PINS SIZE DRAWING CODE/VAR * | Temp | RoHS/Lead-Free? Materials Analysis |
|--------------|--------------------------|--------------------------|---|--------------|--|
| MAX3840EGJ | <input type="checkbox"/> | <input type="checkbox"/> | QFN;32 pin;5x5x0.9mm Dwg: 21-0091I (PDF) Use pkgcode/variation: G3255-1* | -40C to +85C | RoHS/Lead-Free: No Materials Analysis |
| MAX3840EGJ-T | <input type="checkbox"/> | <input type="checkbox"/> | QFN;32 pin;5x5x0.9mm Dwg: 21-0091I (PDF) Use pkgcode/variation: G3255-1* | -40C to +85C | RoHS/Lead-Free: No Materials Analysis |
| MAX3840ETJ+ | <input type="checkbox"/> | <input type="checkbox"/> | THIN QFN;32 pin;5x5x0.8mm Dwg: 21-0140K (PDF) Use pkgcode/variation: T3255+3* | -40C to +85C | RoHS/Lead-Free: Yes Materials Analysis |
| MAX3840ETJ+T | <input type="checkbox"/> | <input type="checkbox"/> | THIN QFN;32 pin;5x5x0.8mm Dwg: 21-0140K (PDF) Use pkgcode/variation: T3255+3* | -40C to +85C | RoHS/Lead-Free: Yes Materials Analysis |

[Didn't Find What You Need?](#)[CONTACT US: SEND US AN EMAIL](#)