



Raychem

TE Internal #: 3747913001

Twisted Pair Cable, Spec 44, 600VAC Voltage Rating, 22AWG Wire Size, Operating Temperature Range -65 – 150 °C

[View on TE.com >](#)

Wire & Cable > Twisted Pair Cable



Cable Type: **Spec 44**

Voltage Rating: **600 VAC**

Insulation Material: **Modified Radiation Cross-linked PVDF**

Conductor Material: **Tin-Coated Copper**

Wire Size: **22 AWG**

Features

Product Type Features

Product Classification	Cable - High Performance - Spec 44, 55 and RCW
Product Type	Cable
Cable Style	Primary
Cable Type	Spec 44

Configuration Features

Number of Strands	19
-------------------	----

Electrical Characteristics

Voltage Rating	600 VAC
----------------	---------

Body Features

Wire Color	Black, Blue, Red, White
Insulation Material	Modified Radiation Cross-linked PVDF
Conductor Material	Tin-Coated Copper

Dimensions

Overall Outside Diameter	2.9 mm[.114 in]
Strand Size	34 AWG
Wire Size	22 AWG

Usage Conditions

Operating Temperature Range	-65 – 150 °C[-85 – 302 °F]
-----------------------------	----------------------------

Product Compliance

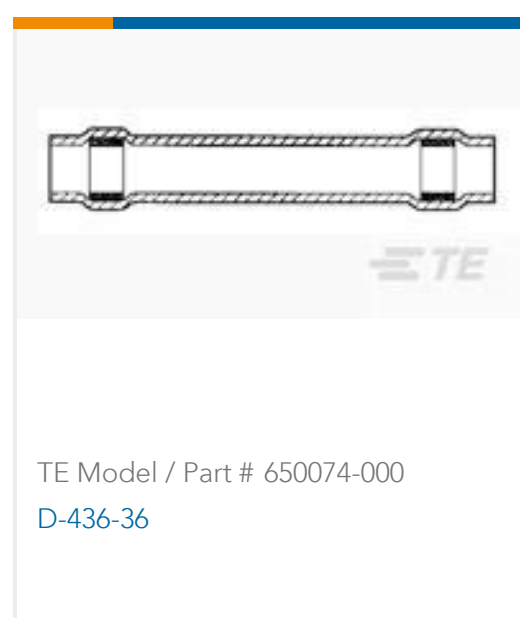
[For compliance documentation, visit the product page on TE.com>](#)

EU RoHS Directive 2011/65/EU	Compliant
EU ELV Directive 2000/53/EC	Compliant
China RoHS 2 Directive MIIT Order No 32, 2016	No Restricted Materials Above Threshold
EU REACH Regulation (EC) No. 1907/2006	Current ECHA Candidate List: JUN 2020 (209) Candidate List Declared Against: JAN 2020 (205) Does not contain REACH SVHC
Halogen Content	Out of Scope - excluded from Halogen requirements
Solder Process Capability	Not applicable for solder process capability

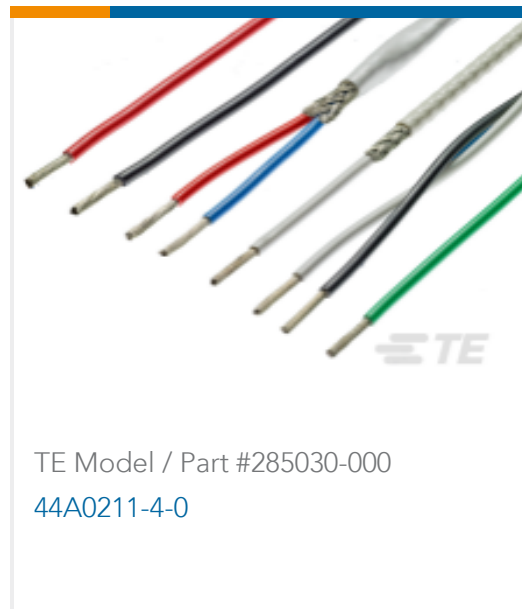
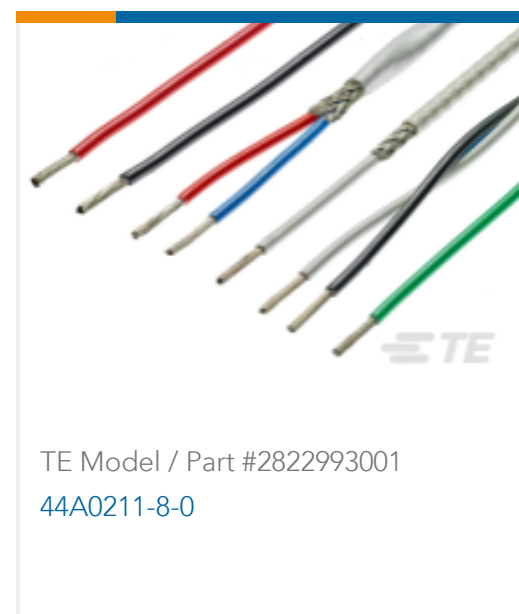
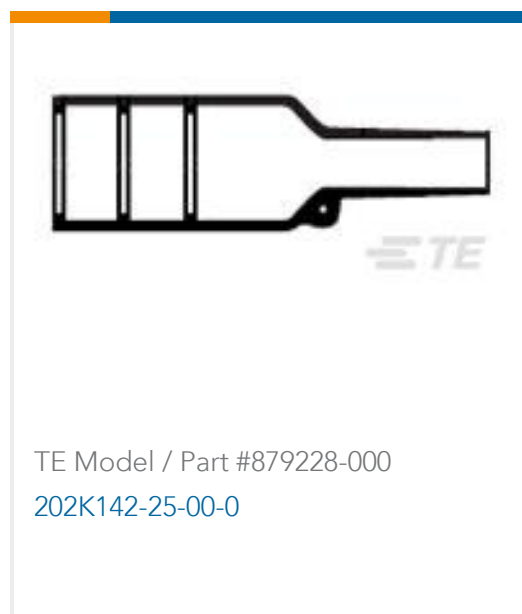
Product Compliance Disclaimer

This information is provided based on reasonable inquiry of our suppliers and represents our current actual knowledge based on the information they provided. This information is subject to change. The part numbers that TE has identified as EU RoHS compliant have a maximum concentration of 0.1% by weight in homogenous materials for lead, hexavalent chromium, mercury, PBB, PBDE, DBP, BBP, DEHP, DIBP, and 0.01% for cadmium, or qualify for an exemption to these limits as defined in the Annexes of Directive 2011/65/EU (RoHS2). Finished electrical and electronic equipment products will be CE marked as required by Directive 2011/65/EU. Components may not be CE marked. Additionally, the part numbers that TE has identified as EU ELV compliant have a maximum concentration of 0.1% by weight in homogenous materials for lead, hexavalent chromium, and mercury, and 0.01% for cadmium, or qualify for an exemption to these limits as defined in the Annexes of Directive 2000/53/EC (ELV). Regarding the REACH Regulation, the information TE provides on SVHC in articles for this part number is based on the latest European Chemicals Agency (ECHA) 'Guidance on requirements for substances in articles' posted at this URL: <https://echa.europa.eu/guidance-documents/guidance-on-reach>

Compatible Parts



Customers Also Bought



Documents

Product Drawings

[44A0141-22-0/2/6/9](#)

English

Datasheets & Catalog Pages

[1654025_Sec9_SPEC44](#)

English

Raychem Wire and Cable Quick Reference Guide

English