

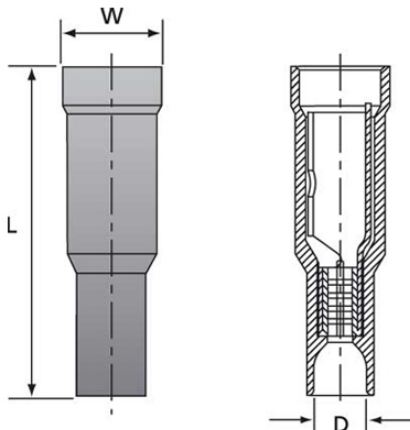


## Sta-Kon®

### RB5B

Fully insulated bullet female disconnect terminal for easy connection and release. Vinyl (PVC) insulation provides resistance to moisture. Colour-coded according to the wire size.

**T&B Catalog Number:** **RB5B**  
**EAN Number:** 05414363077466  
**UPC Number:** 78621054741  
**Description:** Fully insulated bullet female receptacle, wire range 1.5 - 2.5 mm<sup>2</sup>, brass, blue PVC - Polyvinylchloride (Vinyl) insulation



#### Technical Information

Type	disconnect
Style	Fully insulated bullet female receptacle
Material	brass
Plating	tin plated
Metal Barrel	non brazed, with brass support sleeve
Insulation	PVC - Polyvinylchloride (Vinyl)
Temperature Resistance	+65°C / +75°C
Flammability Rating	UL 94 V-0
Colour	blue

#### Ordering Information

Wire Range (mm <sup>2</sup> )	1.5 - 2.5
D (mm)	4.3
L (mm)	26
W (mm)	4.9
Quantity (pieces)	100
Weight (g/100)	144.0
Tooling	ERG2000KE, ERG2001A, WT2124Y