

This document is the property of Amphenol Corporation and is delivered on the express condition that it is not to be disclosed, reproduced or used in whole or in part, for manufacture or sale by anyone other than Amphenol Corporation without its prior consent, and that no right is granted to disclose or to use any information in this document. The marking on this product doesn't contain environmental hazardous materials per Material Specification SS-00259 for Sony GP compliant or per directive 2011/65/EU for RoHS compliant.

HOUSING: PBT

BAFFLE: NYLON66

PART NO. GSB4211XXXXWU

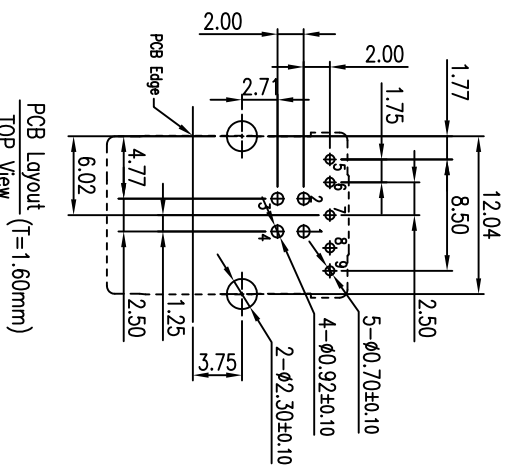
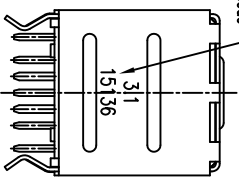
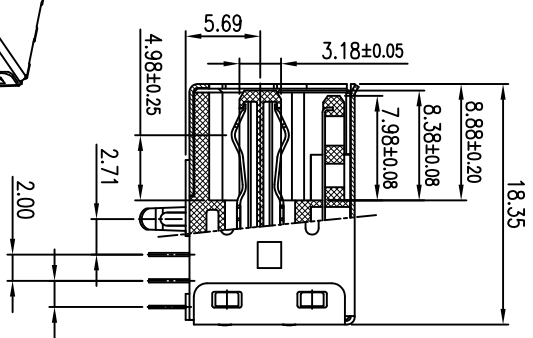
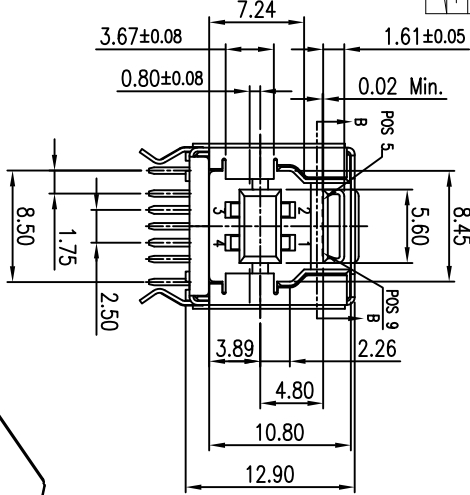
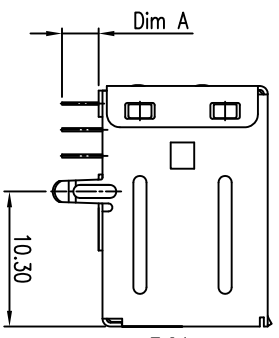
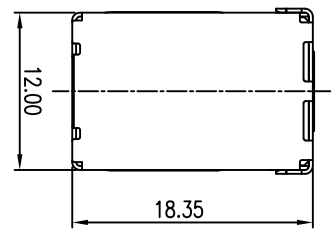
PLATING OPTIONS
3: 30u" GOLD
TAIL LENGTH
1: 2.80 MM

COLOR
1: BLUE
3: BLACK

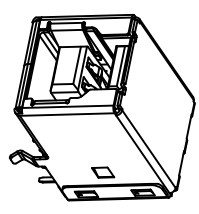
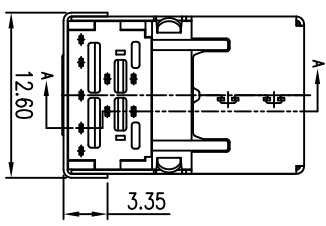
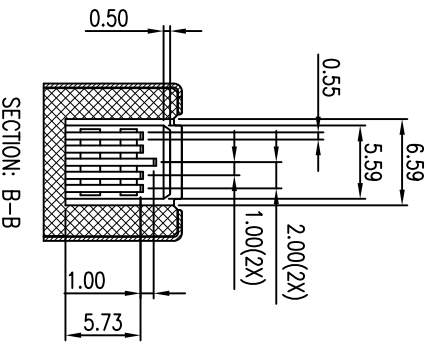
PART NO.	Dim A
GSB4211XXXXWU	2.80 MM

DATE CODE DESCRIPTION
15 13 6 Saturday
13 Weeks
Year

Pin Number	Signal Name	Pin Number	Signal Name
1	VBUS	6	STDB_SSTX+
2	D-	7	GND-DRAIN
3	D+	8	STDB_SSTX-
4	GND	9	STDB_SSTX+
5	STDB_SSTX-		



PCB Layout (T=1.60mm)
TOP View



SECTION: A-A

REVISIONS		DATE	APPROVED
SWM	ECN No.		
A	NE-14112	09/01/2014	Arron Lin
B	NE-17097	09/24/2016	Arron Lin

NOTES:
1. MATERIAL:
HOUSING: HIGH TEMPERATURE THERMAL PLASTIC, PBT, UL94V-0.
BAFFLE : HIGH TEMPERATURE THERMAL PLASTIC, NYLON66, UL94V-0.
TERMINAL A: COPPER ALLOY.
TERMINAL B: COPPER ALLOY.
SHELL: COPPER ALLOY.
2. FINISH:
TERMINAL A & TERMINAL B:
CONTACT AREA: SELECTIVE GOLD PLATING;
SOLDERING AREA: MATTE TIN PLATING 100 μ" THICKNESS MIN.;
UNDER PLATING: NICKEL PLATING 50 μ" THICKNESS MIN. OVERALL.
3. THIS PRODUCT IS FOR WAVE SOLDERING ONLY.
4. THIS PRODUCT DOESN'T CONTAIN ENVIRONMENTAL HAZARDOUS PER DIRECTIVE 2011/65/EU FOR ROHS COMPLIANT.
5. PRODUCT SPECIFICATION REFER TO : PS-7530

TOLERANCE	APPROVALS	DATE	TITLE
X X.X X.XX X.XXX	DRAWN Sandy Wu	06/06/2017	USB 3.1 B TYPE RECEPTACLE
ANGULAR ±1°	CHECKED Debby Hung	06/06/2017	RIGHT ANGLE, DIP TYPE
UNLESS OTHERWISE SPECIFIED	APPROVED Arron Lin	06/06/2017	

Amphenol®

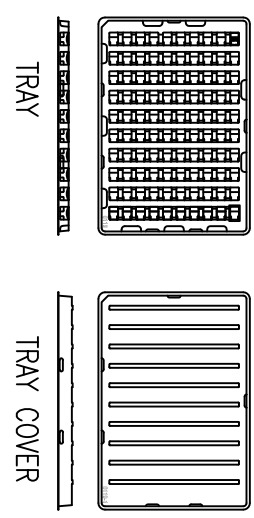
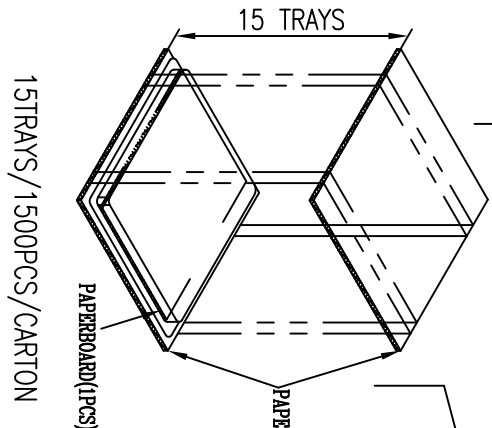
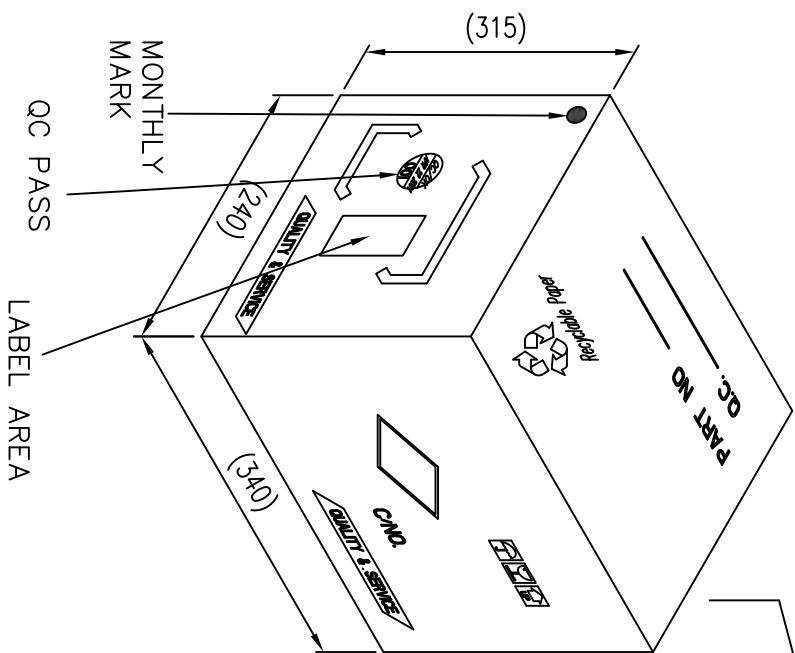
Amphenol Corporation
Amphenol Taiwan Corporation

UNIT	SCALE	SHEET	PART No.	DWG No.	REV.
mm	NA	1 OF 2	GSB4211XXXXWU	GSB4211XXXXWU	B

1 2 3 4 5 6 7 8

This document is the property of Amphenol Corporation and is delivered on the express condition that it is not to be disclosed, reproduced or used in whole or in part, for manufacture or sale by anyone other than Amphenol Corporation without its prior consent, and that no right is granted to disclose or to use any information in this document. The marking on this product doesn't contain environmental hazardous materials per Material Specification SS-00259 for Sony GP compliant or per directive 2011/65/EU for RoHS compliant.

REVISIONS		DATE	APPROVED
S/M	EON No.		
A	NE-14112	09/07/2014	Arton Lin
B	NE-17097	06/06/2017	Arton Lin



PCS/TRAY	TRAYS/BOX	QUANTITY (PCS)	G/W (kg)	N/W (kg)	PART NUMBER
100	15	1500	8.3	7.0	GSB4211XXXWU

TOLERANCE	APPROVALS	DATE	TITLE	UNIT	SCALE	SHEET	PART No.	REV.
X X.X X.XX X.XXX ANGULAR ±1°	DRAWN Sandy Wu	06/06/2017	USB 3.1 B TYPE RECEPTACLE RIGHT ANGLE, DIP TYPE	mm	NA	2 OF 2	Amphenol Corporation Amphenol Taiwan Corporation	B
UNLESS OTHERWISE SPECIFIED	CHECKED Debbly Hung	06/06/2017						
	APPROVED Arton Lin	06/06/2017					GSB4211XXXWU	
	DWG TYPE CUST DWG	PROJECT CODE OTHER					GSB4211XXXWU	

1 2 3 4 5 6 7 8