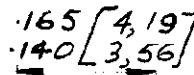
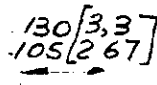
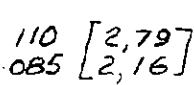
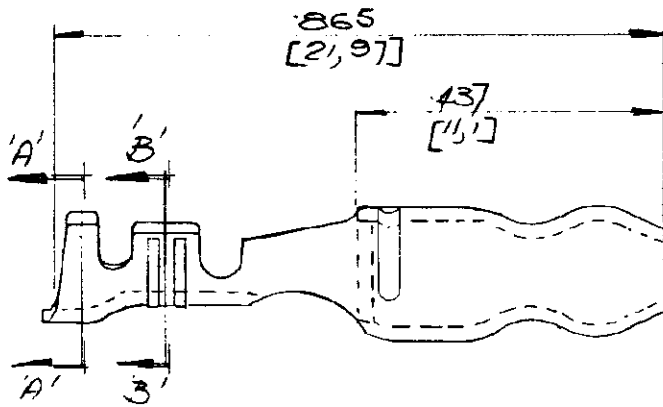
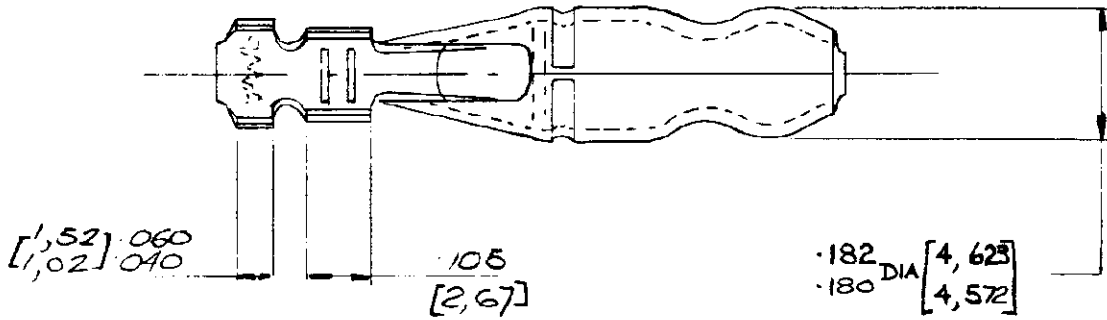


151681-2

3-d ANGLE (AMERICAN) PROJECTION

DIMENSIONS IN INCHES. DO NOT SCALE PRINT  
DIMENSIONS THUS [ ] IN MM.



SECTION 'B-B'

SECTION 'A-A'

* 1-151681-2	PRE TIN REV. REEL
1-151681-1	PRE TIN REVERSE REEL
151681-1	PRE TIN
PART NUMBER	FINISH

\* FOR AMP BRAZIL ONLY.

F	1-151681-2	ADDD	DB	01/16/67
E	PICTORIAL CHANGE TO SIDE VIEW		2/1	29 " 71
D	DRG REVISIONS		DP	4570
C	2 DIMILES REPLACED BY ANGULAR RING FORM BETWEEN WIRE		DP	4370
B	R PLUS CHANGE?		DP	12 " 69
A	.182 WAS .180		J.A.	6/10/67
LTR	REVISION RECORD	DR	CHK	DATE
DR	C Knoll 7/5/67		DE	
CHK	J. Knoll 2/5/67		APP	

© AIRCRAFT-MARINE PRODUCTS (GREAT BRITAIN) LTD 1967		CUSTOMER COPY REFERENCE ONLY	
MATERIAL AND FINISH 085(046) STOCK BRASS		AMP AIRCRAFT-MARINE PRODUCTS (GREAT BRITAIN) LTD, STAMMORE, MIDDX.	
SEE TABLE		CLASS	
WIRE - RANGE - INSULATION 22-15 1015-1015-275		TYPE	
TOLERANCE EXCEPT AS NOTED ± .015 / .01 ± 1°		SCALE 4-1	
NAME SHUR PLUG		LOC A C - 151681	
		NO REV	

PRINT LIST