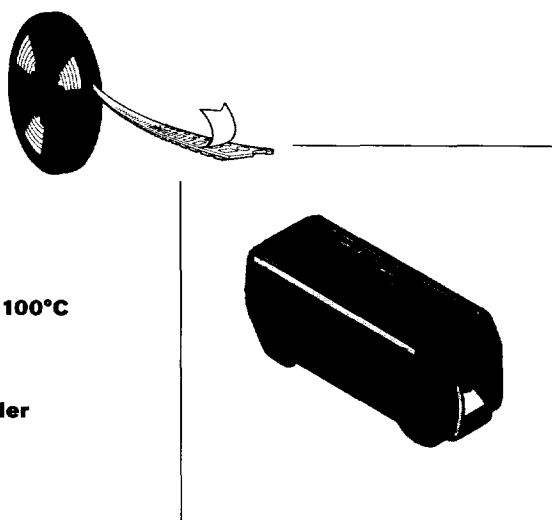


### Key features

- high reliability
- attractively priced
- small size - 11.4 x 5mm
- temperature range -25°C to +100°C
- taped to IEC 286 Pt 3
- suitable for dip and wave solder
- insulation 1000MΩ Min
- available from stock



### SMD Inductors

### Specification

#### type 3615 series

This is a high current, wound inductor, based on phenolic, iron or ferrite cores (depending on the inductance value required). The terminations are solder coated copper terminals. This termination format and manufacturing process, provide above specification performance with respect to tensile bend, and torsion requirements.

#### Electrical

Inductance Code	Body Marking	Inductance (μH)	Q Min	Test Freq. (MHz)	Self Resonant Freq. (MHz)	DC Resistance @ 20°C (Max Ohms)	Direct Current @ 70°C (Max mA)
R10	μH10-K	0.10	50	25	550	0.027	3500
R12	μH12-K	0.12	50	25	550	0.028	2870
R15	μH15-K	0.15	50	25	510	0.030	2770
R18	μH18-K	0.18	50	25	460	0.033	2640
R22	μH22-K	0.22	50	25	415	0.035	2570
R27	μH27-K	0.27	50	25	380	0.043	2310
R33	μH33-K	0.33	50	25	350	0.050	2150
R39	μH39-K	0.39	50	25	320	0.065	1880
R47	μH47-K	0.47	50	25	300	0.080	1700
R56	μH56-K	0.56	50	25	270	0.10	1520
R68	μH68-K	0.68	50	25	250	0.12	1385
R82	μH82-K	0.82	50	25	220	0.18	1130
1R0	1μH0-K	1.0	50	25	200	0.25	960
1R2	1μH2-K	1.2	35	7.9	180	0.40	760
1R5	1μH5-K	1.5	35	7.9	170	0.48	690
1R8	1μH8-K	1.8	35	7.9	150	0.74	555
2R2	2μH2-K	2.2	35	7.9	140	0.90	505
2R7	2μH7-K	2.7	35	7.9	120	1.10	455
3R3	3μH3-K	3.3	35	7.9	70	0.14	1280
3R9	3μH9-K	3.9	35	7.9	65	0.16	1200
4R7	4μH7-K	4.7	35	7.9	60	0.21	1050
5R6	5μH6-K	5.6	35	7.9	50	0.28	905
6R8	6μH8-K	6.8	35	7.9	50	0.37	785
8R2	8μH2-K	8.2	35	7.9	48	0.40	760

### Specification

#### Environmental

Operating Temperature:	-55°C to +100°C
Temperature Rise:	30°C maximum
Power Dissipation at 70°C ambient:	0.3 Watts
Environmental Classification:	55/100/56
Weight:	0.7 grams maximum

sales action desk (01793) 611666

sales fax line (01793) 511513

Electrical (Cont...)

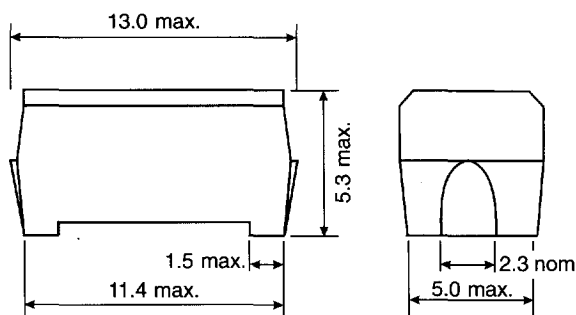
Inductance Code	Body Marking	Inductance (µH)	Q Min	Test Freq. (MHz)	Self Resonant Freq. (MHz)	DC Resistance @ 20°C (Max Ohms)	Direct Current @ 70°C (Max mA)
100	10µH-K	10	35	7.9	42	0.60	620
120	12µH-K	12	50	2.5	35	0.85	520
150	15µH-K	15	55	2.5	30	1.2	438
180	18µH-K	18	55	2.5	30	1.8	358
220	22µH-K	22	55	2.5	24	2.0	340
270	27µH-K	27	55	2.5	22	2.7	290
330	33µH-K	33	55	2.5	20	3.4	259
390	39µH-K	39	55	2.5	18	3.8	245
470	47µH-K	47	55	2.5	16	3.4	259
560	56µH-K	56	55	2.5	15	3.7	249
680	68µH-K	68	55	2.5	13	4.0	239
820	82µH-K	82	55	2.5	10	4.4	228
101	mH10-K	100	55	2.5	8.0	4.9	216
121	mH12-K	120	60	0.79	6.8	5.6	202
151	mH15-K	150	60	0.79	6.4	6.2	192
181	mH18-K	180	60	0.79	6.0	6.9	182
221	mH22-K	220	60	0.79	5.8	7.5	175
271	mH27-K	270	60	0.79	5.6	8.2	176
331	mH33-K	330	60	0.79	5.0	9.1	159
391	mH39-K	390	60	0.79	4.5	10.0	151
471	mH47-K	470	60	0.79	4.0	11.0	144
561	mH56-K	560	60	0.79	3.6	12.3	136
681	mH68-K	680	60	0.79	3.4	13.7	129
821	mH82-K	820	60	0.79	3.1	15.1	123
102	1mH0-K	1000	60	0.79	2.5	16.5	118

SMD Inductors

type 3615 series

Values from 0.1µH to 0.27µH have a phenolic core, 3.3µH to 100µH are on an iron core and 120µH to 1000µH are on ferrite cores. These inductors are readily available from distribution - Farnell Electronic Components stock a full value range.

Dimensions



Packaging:  
1500 Pieces (7" Reel)

How To Order

3615	A	1R5	K
Common Part	Standard Part	Inductance Value	Tolerance
3615	A - Standard Part	Value Code (See Table)	K - ± 10%

Please Request Full Data  
Sheet F0725