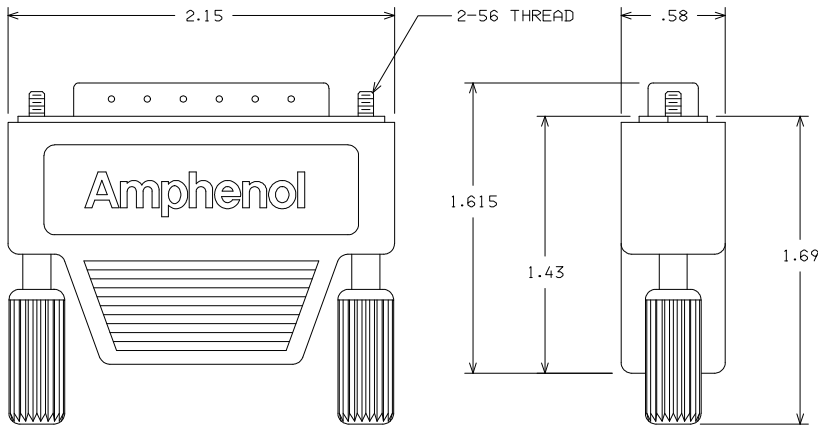
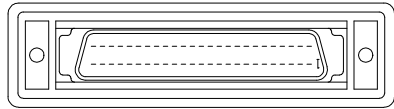
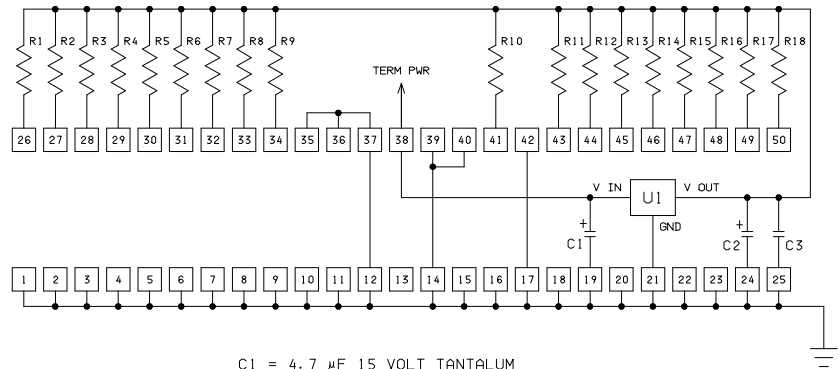


REVISIONS				
ZONE	LTR	DESCRIPTION	DATE	APPROVED
		CUSTOMER DRAWING		



SINGLE ENDED ACTIVE SCHEMATIC



- C1 = 4.7 μ F 15 VOLT TANTALUM
- C2 = 22 μ F 10 VOLT TANTALUM
- C3 = 0.1 μ F 25 VOLT CERAMIC
- R1 - R18 = 110 OHM \pm 1%, 1/8 WATT
- U1 = LOW DROPOUT VOLTAGE REGULATOR

<small>UNLESS OTHERWISE SPECIFIED DIMENSIONS ARE IN INCHES TOLERANCE ON</small> FRACTION .X .XX .XXX DECIMAL ± ± ± ANGLE ±	EAR NO.	Amphenol Interconnect Products 20 VALLEY ST. PHONE (888) 275-2472 ENDICOTT, NY 13760 FAX (607) 786-4311
	SIGNATURES	DATE
	DRAWN J LaSHIER	11/99
	CHECKED	
APPROVED		TERMINATOR ASSEMBLY, SCSI 2 50 POSITION SINGLE ENDED ACTIVE
APPROVED		SIZE C 28705 REV
		SCALE: 2 / 1 SHEET 1 OF 1