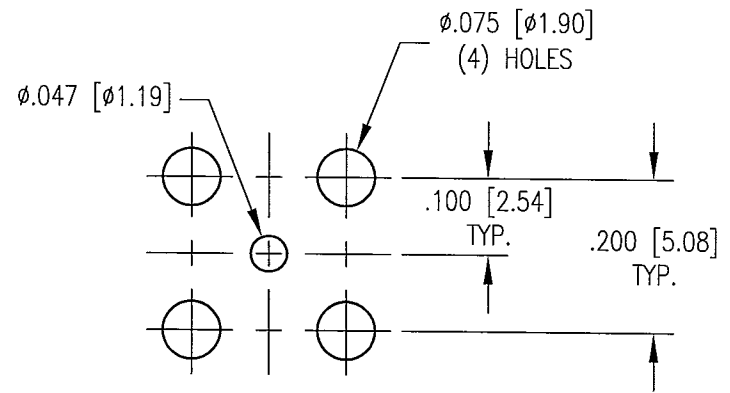
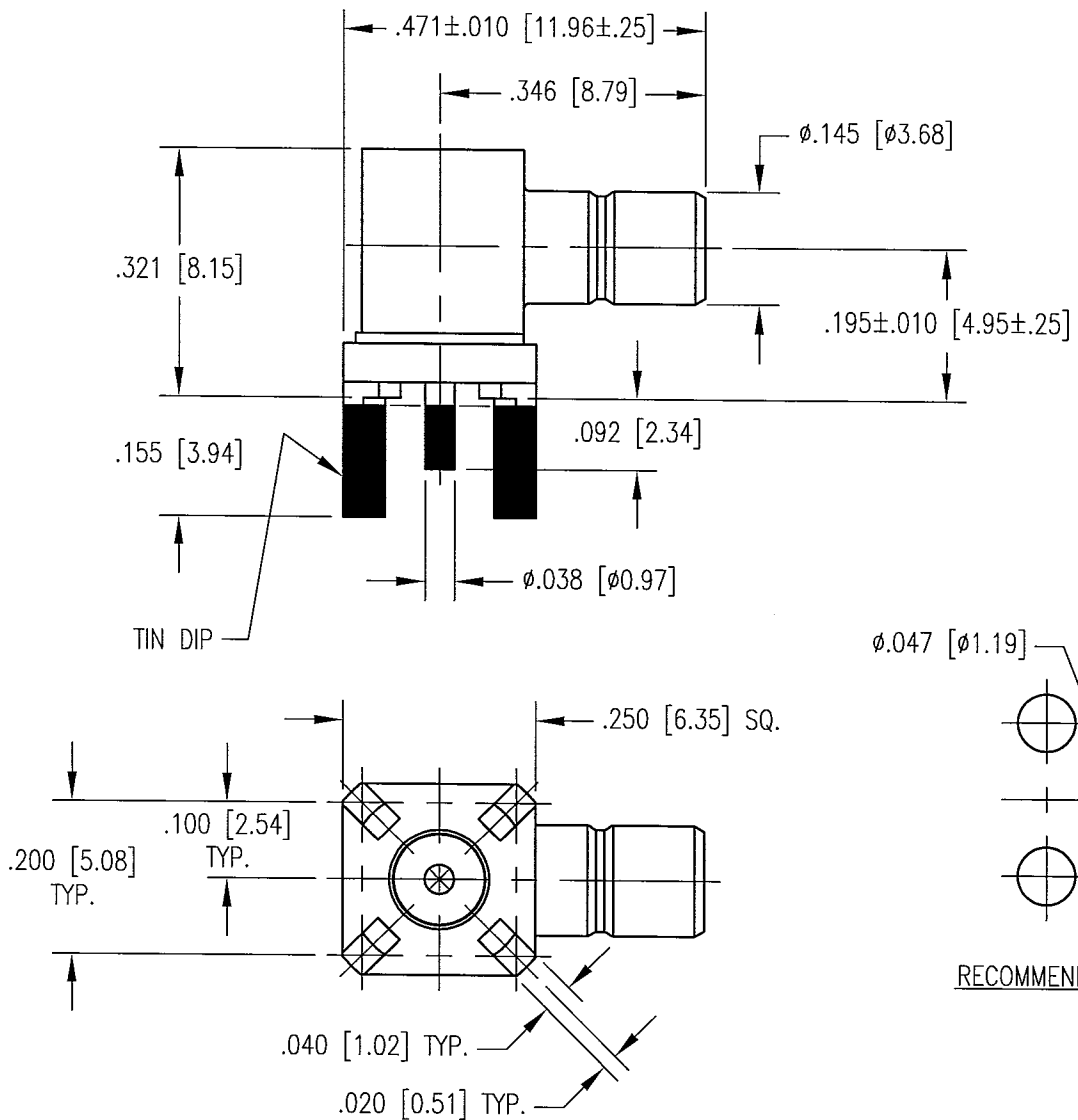


REV	DESCRIPTION	BY DATE	APPD
C	ECR 7180	JED 11/24/97	PAT



RECOMMENDED MOUNTING HOLE

NOTES:

- MATERIALS:  
 BODY AND CONTACT: BRASS PER ASTM B16  
 INSULATOR: TEFLON PER ASTM D1710
- FINISH:  
 BODY: .000015 MIN. GOLD PER MIL-G-45204 OVER  
 .000050 MIN. NICKEL PER QQ-N-290  
 CONTACT: .000030 MIN. GOLD PER MIL-G-45204 OVER  
 .000050 MIN. NICKEL PER QQ-N-290

PER ASME Y14.5M-1994 UNLESS OTHERWISE SPECIFIED: DIMENSIONS ARE IN INCHES (MM)				<b>Litton</b>			
TOLERANCES: DECIMALS .XX ± .01/0.254 .XXX ± .005/0.127 ANGLES ± 2° SCALE: 4:1				Winchester/Retconn 400 Park Road Watertown, Connecticut 06795			
<b>CUSTOMER DRAWING</b>			TITLE	SMB RIGHT ANGLE P.C. MOUNT			
DRAWN JED	DATE 11/24/97	CHECKED JMC	DATE 11/24/97	A	513-060-0046H	SHT. OF 1 1	REV. C
APPROVED PAT	DATE 11/24/97	APPROVED PAT	DATE 11/24/97				