

This document, including the design, configuration and mechanical features revealed herein are the sole, confidential and proprietary property of Tru-Connector Corporation. Reproduction or use thereof, in whole or part, is prohibited without the prior written consent of Tru-Connector Corporation.

REV	DESCRIPTION	DATE	APPROVAL
/	ORIGINAL ISSUE	2/23/01	TM
A	ECO 1576-CHANGE TO BILL	4/10/01	AM
B	SEE ECO 2182 FOR CHANGES	3/26/03	DA

ENGINEERING DATA:

ELECTRICAL:

IMPEDANCE: 50 Ohms nominal

MECHANICAL:

INTERFACE: per MIL-STD-348 fig. 317.2

MATERIAL:

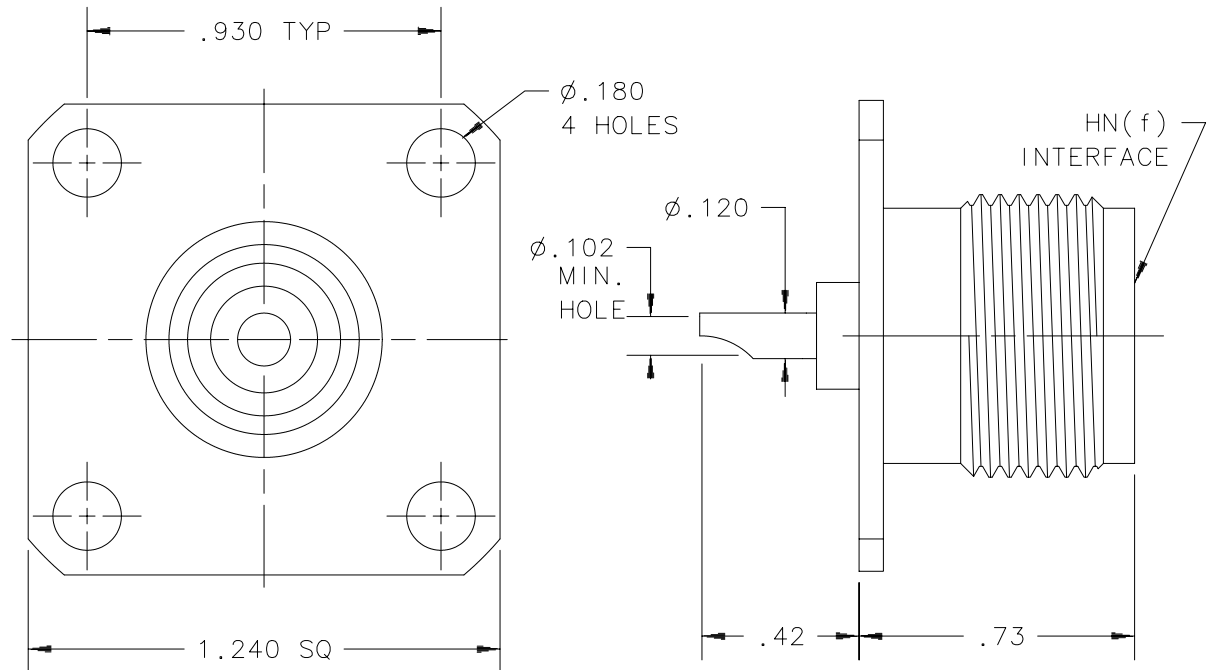
INSULATOR: TEFLON
CONTACT: BERYLLIUM COPPER
BODY: BRASS

FINISH:

CONTACT: SILVER PLATED
BODY: NICKEL PLATED


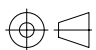
ENVIRONMENTAL:

TEMPERATURE RANGE: -65°C to 165°C



Note:

1. Unless otherwise specified; all dimensions are reference only.

Material:	UNLESS OTHERWISE SPECIFIED: DIMENSIONS ARE IN INCHES CHAMFER FIRST THREAD 45° DIMENSIONS BEFORE PLATING TOLERANCES: FRACTIONS: ±1/64 .XX : ±.01 .XXX: ±.005 ANGLES: ±1/2° MACHINED SURFACES 63 ✓	DRAWN BY NKTM	DATE 2/23/01	 TRU-CONNECTOR CORPORATION 245 LYNNFIELD STREET PEABODY, MASSACHUSETTS			
		ENG APPROVAL TM	DATE 2/23/01				
		MFG APPROVAL	DATE				
		OTHER APPROVAL	DATE				
THIRD ANGLE PROJECTION 		REFERENCE	TITLE CONNECTOR, COAXIAL, RF HN(f) RECEPTACLE, PANEL	SIZE A	CAGE CODE 92180	DWG NO. TRU-8767-SNT	REV B
				CAD FILE: SERIES HN(F) / RECEPTACLE-PANEL		SCALE 2/1	SHEET 1 of 1