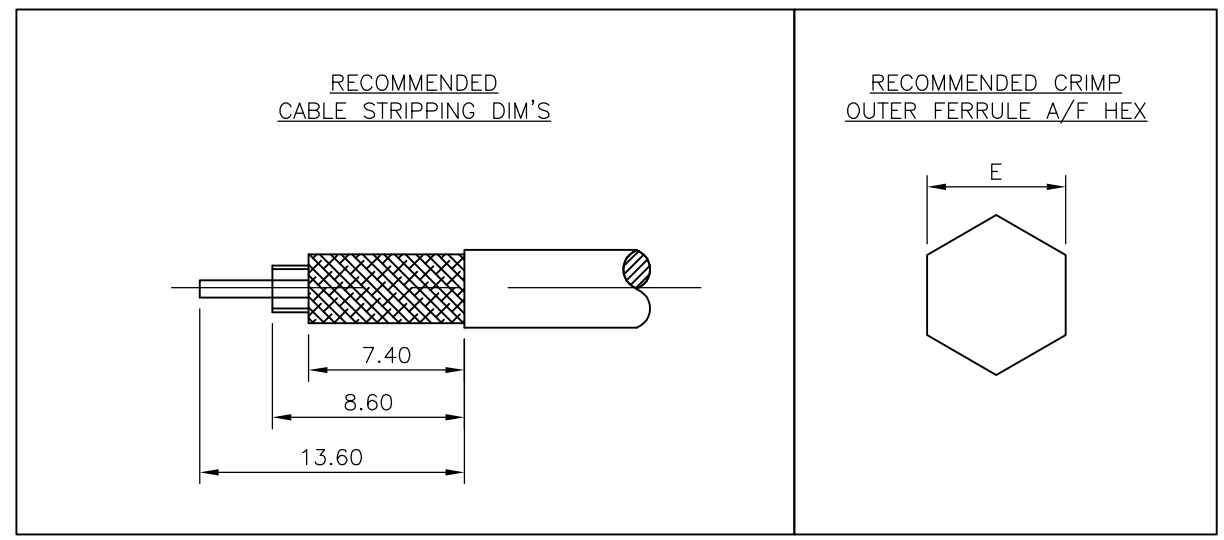
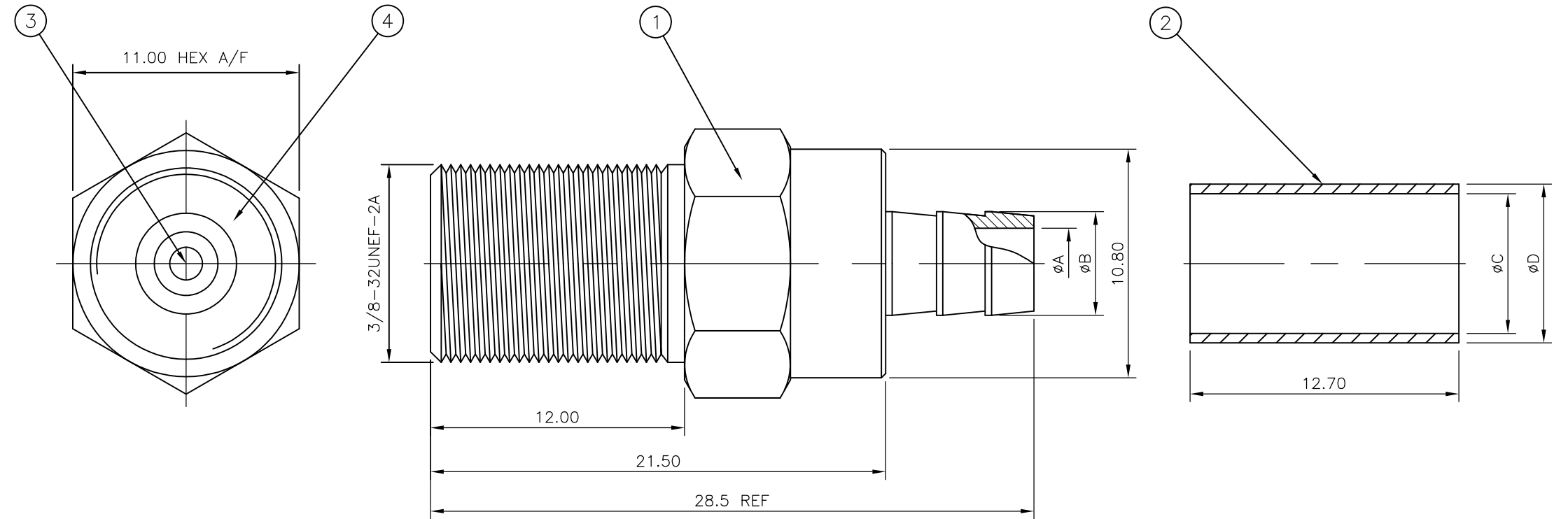


THIS DRAWING IS UNPUBLISHED. RELEASED FOR PUBLICATION NOV. 2006.  
 © COPYRIGHT 2006 BY TYCO ELECTRONICS CORPORATION. ALL RIGHTS RESERVED.

LOC	DIST	REVISIONS					
E	B	P	LTR	DESCRIPTION	DATE	DWN	APVD
		B		REVISED PER ECO-09-003420	14FEB09	ANS	BOB

- NOTES**
- 1 SINGLE PACK IN ACCORDANCE WITH AMP SPEC 107-3275
  - 2 100 TRAY PACK IN ACCORDANCE WITH AMP SPEC 107-3275
  - 3 Ni PLATING
  - 4 TIN PLATING
  5. FOR TECHNICAL DATA REFER TO YOUR LOCAL TYCO ELECTRONICS SALES OFFICE
  6. ALL DIMENSIONS ARE NOMINAL FOR REFERENCE ONLY UNLESS OTHERWISE STATED

DIE SET	E	D	C	B	A	CABLE GROUPS	PART NO.
9-1478243-0	8.30	9.30	8.30	7.00	5.70	CT125	5-1814826-7
9-1478243-0	8.30	9.30	8.30	7.00	5.70	CT125	5-1814826-6
9-1478242-0	6.50	7.50	6.70	5.60	4.60	CT100	5-1814826-5
9-1478242-0	6.50	7.50	6.70	5.60	4.60	CT100	5-1814826-4
9-1478243-0	8.60	9.60	8.70	6.80	4.85	RG6/U	5-1814826-3
9-1478243-0	8.60	9.60	8.70	6.80	4.85	RG6/U	5-1814826-2
9-1478242-0	6.50	7.50	6.80	4.90	3.90	RG59B/U, 62A/U, 140/U, 210/U, URM90, Belden 9291, 9291, KX6A, KX25, KX52, KX53	5-1814826-1
9-1478242-0	6.50	7.50	6.60	4.90	3.90	RG59B/U, 62A/U, 140/U, 210/U, URM90, Belden 9291, 9291, KX6A, KX25, KX52, KX53	5-1814826-0



QTY	1	1	1	1	1	1	1	1	1	MATERIAL	DESCRIPTION	ITEM
1	1	1	1	1	1	1	1	1	1	POLYPROPYLENE	INSULATOR	4
1	1	1	1	1	1	1	1	1	1	BRASS	CONTACT	3
1	1	1	1	1	1	1	1	1	1	ZINC ALLOY	FERRULE	2
1	1	1	1	1	1	1	1	1	1	BRASS	BODY	1
5	75	65	55	45	35	25	15	0				

THIS DRAWING IS A CONTROLLED DOCUMENT.

DIMENSIONS: mm

TOLERANCES UNLESS OTHERWISE SPECIFIED:

0 PLC	± -
1 PLC	± -
2 PLC	± 0.3
3 PLC	± -
4 PLC	± -
ANGLES	± -
FINISH	-

MATERIAL: SEE TABLE

THIS DRAWING IS A CONTROLLED DOCUMENT.

DWN: ANSON MA 14FEB09  
 CHK: RITA ZUO 14FEB09  
 APVD: BOB ZHAO 14FEB09

Product: 108-112000

Application: CUSTOMER DRAWING

Weight: -

Tyco Electronics Corporation  
 Kunshan, Jiangsu, China, 215312

NAME: F TYPE BLK JK R/M

SIZE: A3 CAGE CODE: 00779 DRAWING NO: 1814826 RESTRICTED TO: -

SCALE: NTS SHEET: 1 OF 1 REV: B