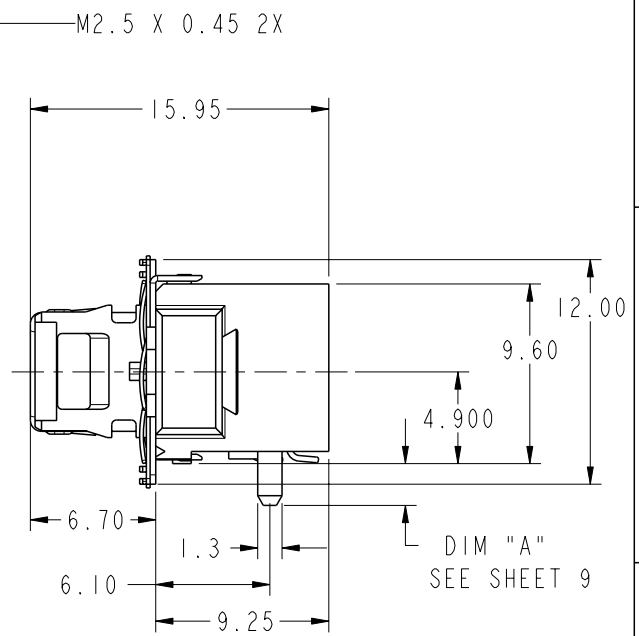
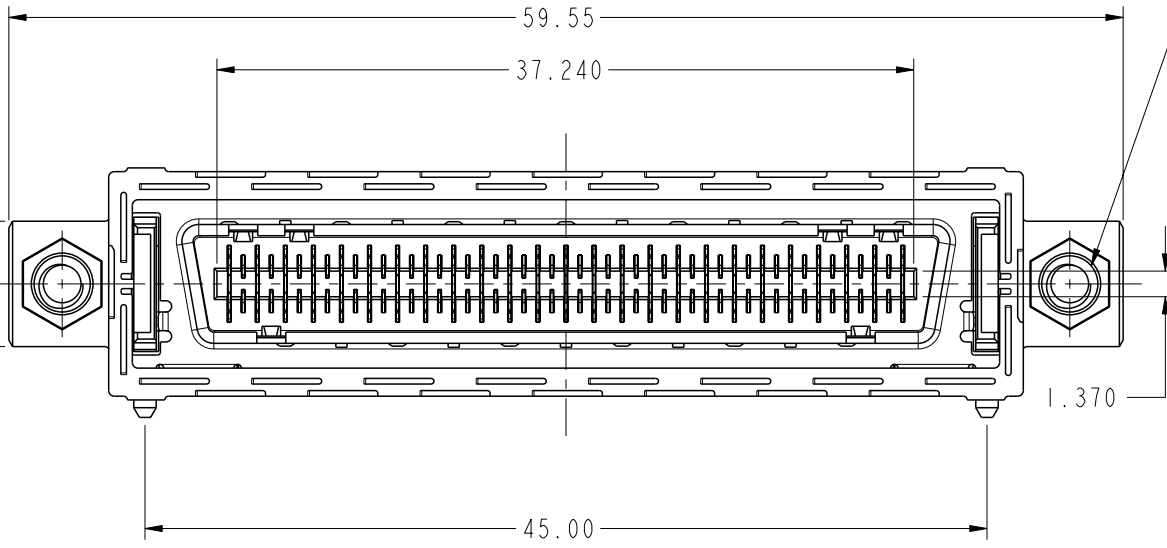
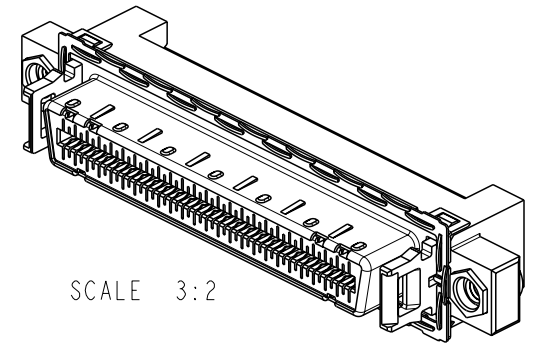
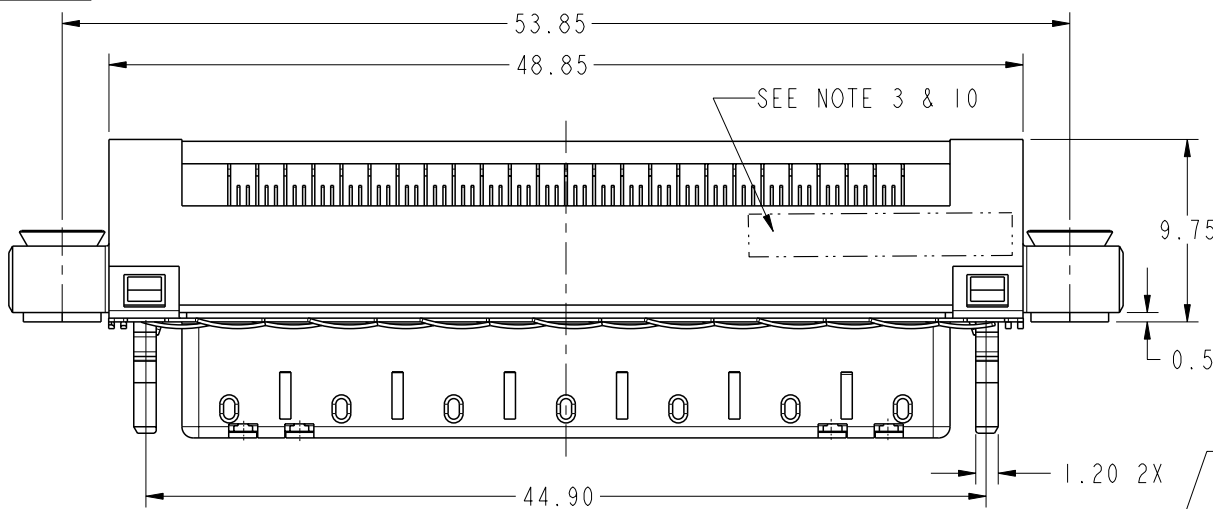


PRODUCT NUMBER

58367-11XXXX



Copyright FCI.

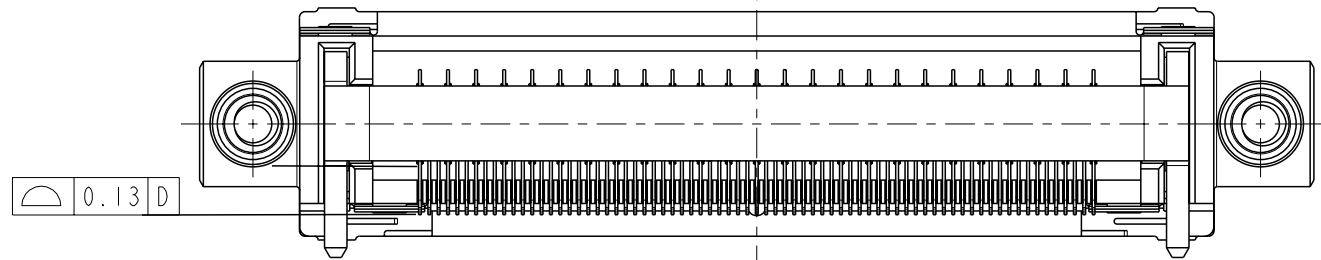
rev	ecn no	dr	date
D	V21720	GIP	2002-11-04
E	V21864	DF	2002-12-12
F	V03-0087	GIP	2003-03-13
G	V04-0460	DAI	2004-04-07
H	V05-0063	TAB	2005-02-14
J	V06-0123	HVN	2006-07-26
K	V07-0024	HVN	2007-02-26

www.fciconnect.com		surface 3.2 ASME Y14.5	tolerance std ASME Y14.5	projection MM
TOLERANCES UNLESS OTHERWISE SPECIFIED		ANGULAR	LINEAR	size A4
Dr	R DRAGGOO	2002-06-06	0.X ±.30	Scale 1:1
Eng	S.OLSON	2001-09-11	0.XX ±.10	
Chr	HIRAN V N	2007-02-26	0.XXX ±.050	ECN 107-0024
Appr	HIRAN V N	2007-02-26	Product family EyeMax (tm)	Spec ref ASME Y14.5
FCI		title 12X R/A RECPT. ASSEMBLY w/ MOUNTING TABS		Rev. K
catalog no		58367		sheet 1 of 9

REV F - 2006-04-17

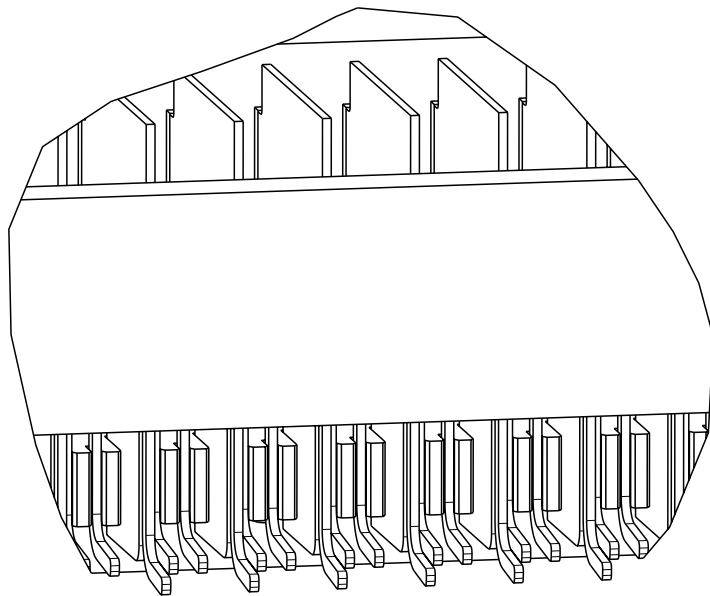


Copyright FCI.



COPLANARITY MEASUREMENT TO BE TAKEN
AT BOTTOM MOST POINT OF CONTACT TAILS

COPLANARITY ZONE IS BELOW DATUM D

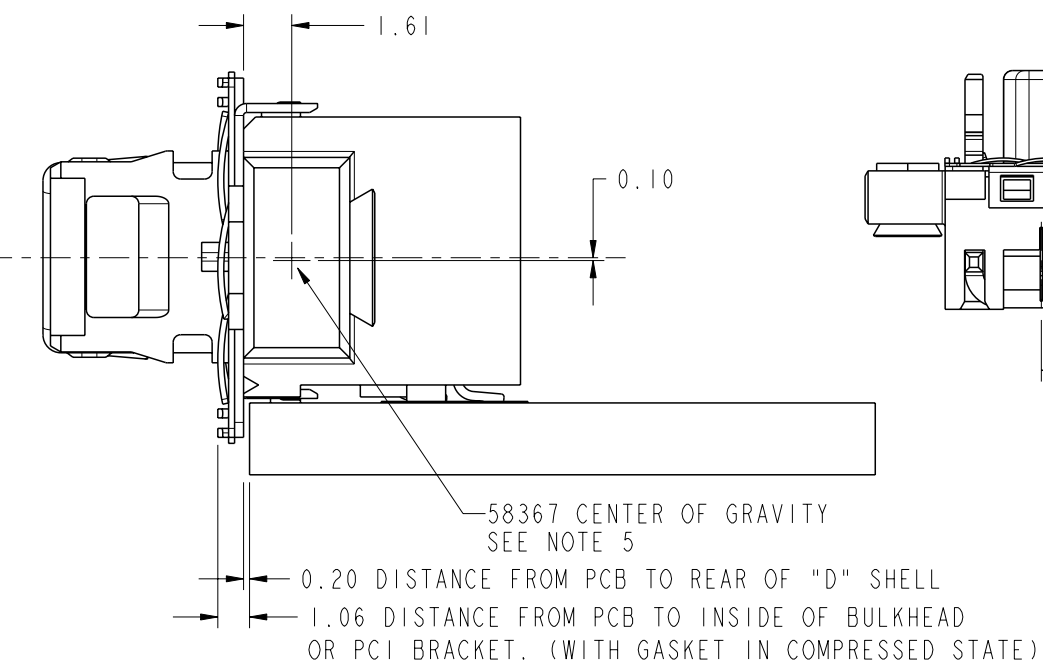


SCALE 8:1

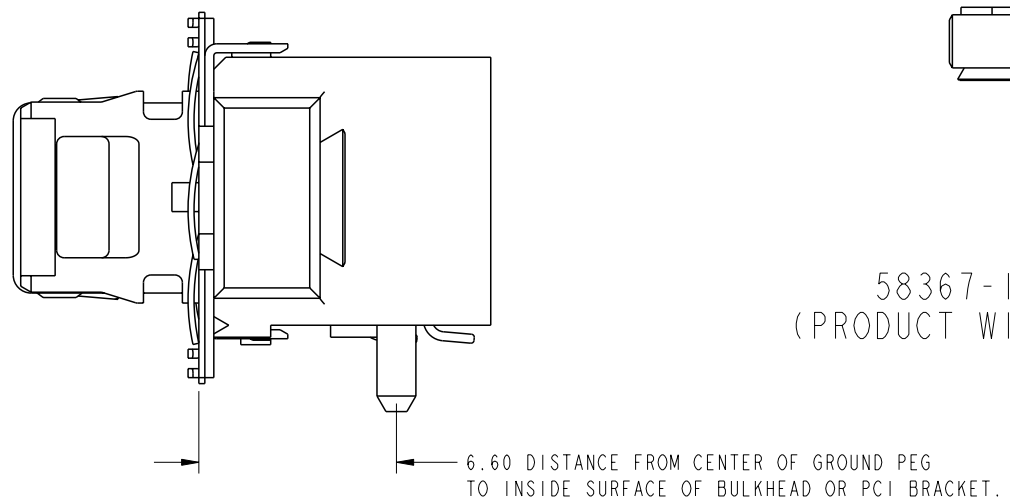
www.fciconnect.com		surface 3.2 ASME Y14.5 ✓	tolerance std ASME Y14.5 -	projection ⊕	MM ↔
TOLERANCES UNLESS OTHERWISE SPECIFIED		ANGULAR	LINEAR	size A4	Scale 1:1
Dr	R DRAGG00	2002-06-06	0° ±2°	0.x ±.30	ECN 107-0024
Eng	S.OLSON	2001-09-11		0.xx ±.10	Spec ref ASME Y14.5
Chr	HIRAN V N	2007-02-26		0.xxx ±.050	
Appr	HIRAN V N	2007-02-26	Product family EyeMax (tm)		
FCI		title 12X R/A RECPT. ASSEMBLY w/ MOUNTING TABS		58367	Rev. K
catalog no		-		CUSTOMER	sheet 2 of 9



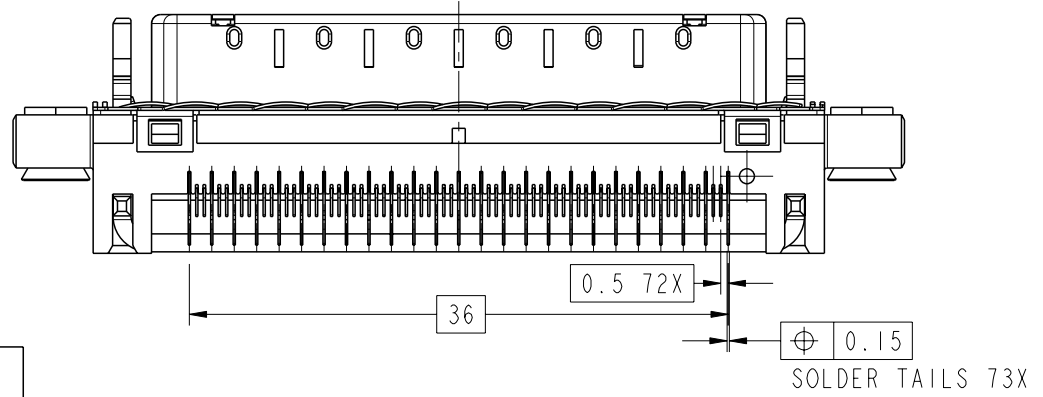
Copyright FCI.



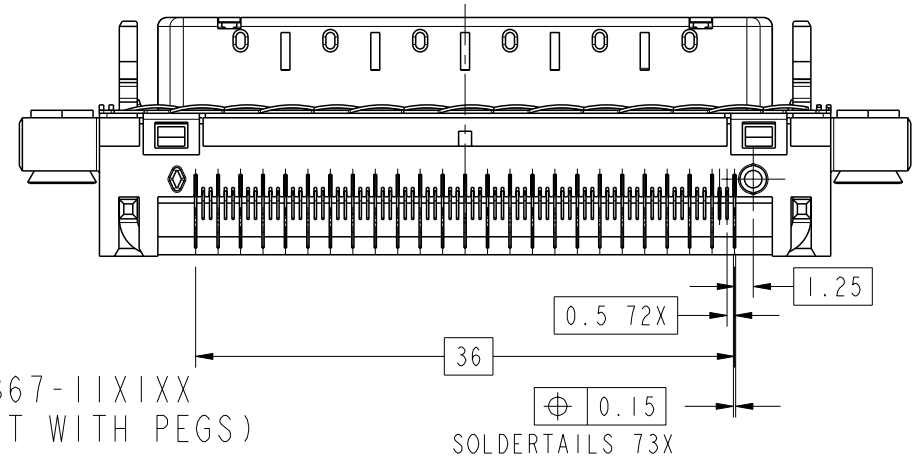
SIDE VIEW OF CONNECTOR ON PCB



SIDE VIEW OF CONNECTOR w/o PCB



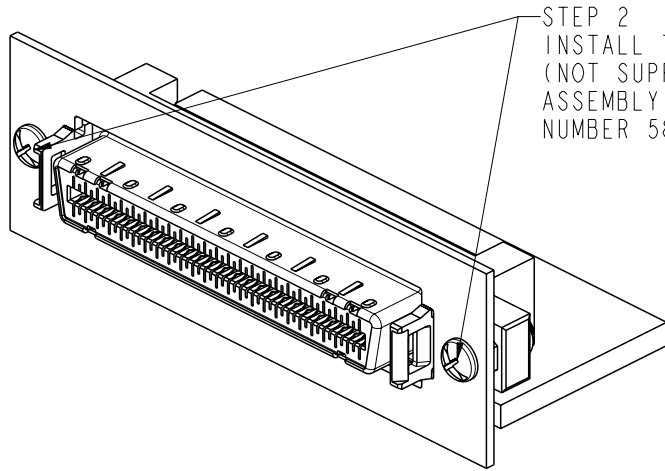
58367-11X0XX
(PRODUCT WITHOUT PEGS)



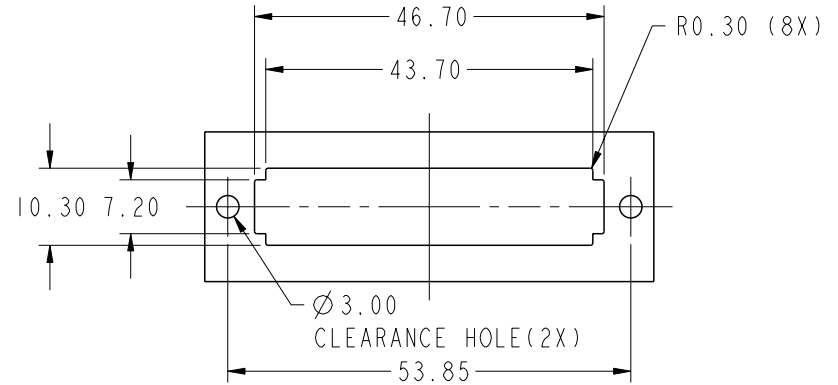
58367-11X1XX
(PRODUCT WITH PEGS)

www.fciconnect.com		surface 3.2/ ASME Y14.5	tolerance std ASME Y14.5	projection	MM
		TOLERANCES UNLESS OTHERWISE SPECIFIED			
Dr	R DRAGGOO	2002-06-06	ANGULAR	0.x ±.30	size A4
Eng	S. OLSON	2001-09-11	LINEAR	0.xx ±.10	Scale 4:1
Chr	HIRAN V N	2007-02-26	0° ±2°	0.xxx ±.050	ECN 107-0024
Appr	HIRAN V N	2007-02-26	Product family EyeMax (tm)		Spec ref ASME Y14.5
		title 12X R/A RECPT. ASSEMBLY		85367	
		w/ MOUNTING TABS		Rev. K	
catalog no		-		CUSTOMER sheet 3 of 9	

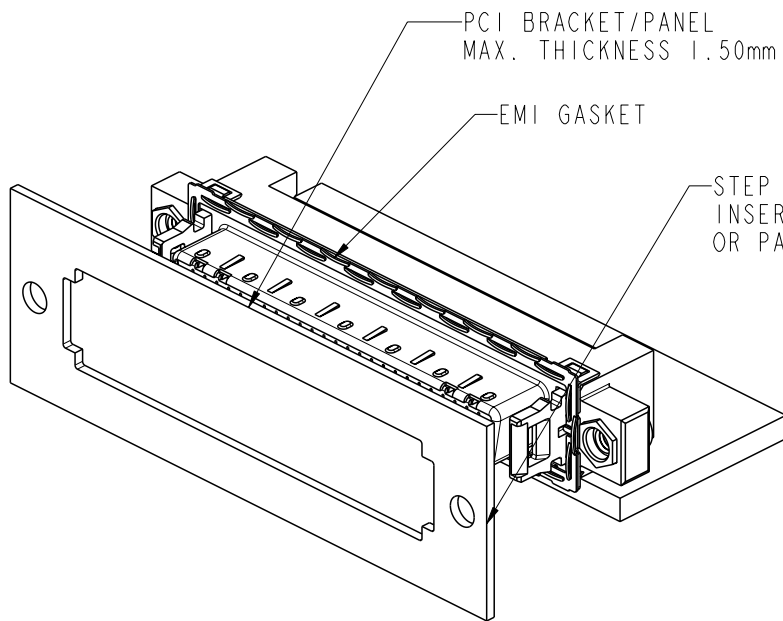
REV F - 2006-04-17



STEP 2
INSTALL TWO M2.5 PANEL MOUNTING SCREWS
(NOT SUPPLIED WITH CONNECTOR
ASSEMBLY) SEE PRINT 58370 FOR PART
NUMBER 58370-001



SCALE 1:1
PANEL CUTOUT



PCI BRACKET/PANEL
MAX. THICKNESS 1.50mm

EMI GASKET

STEP 1
INSERT CONNECTOR INTO PCI BRACKET
OR PANEL COMpressing EMI GASKET

CONNECTOR APPLICATION TO PCI BRACKET/PANEL



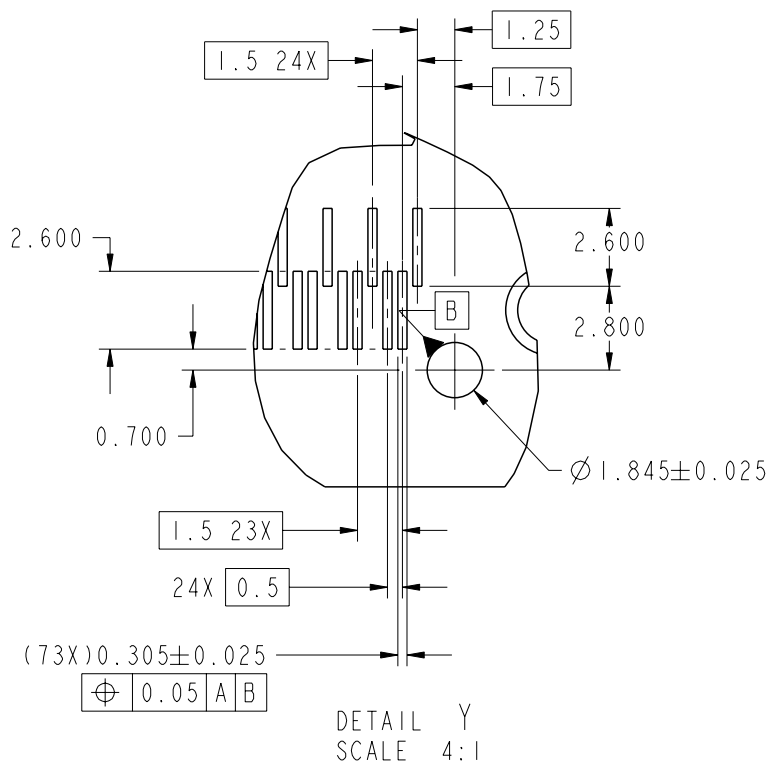
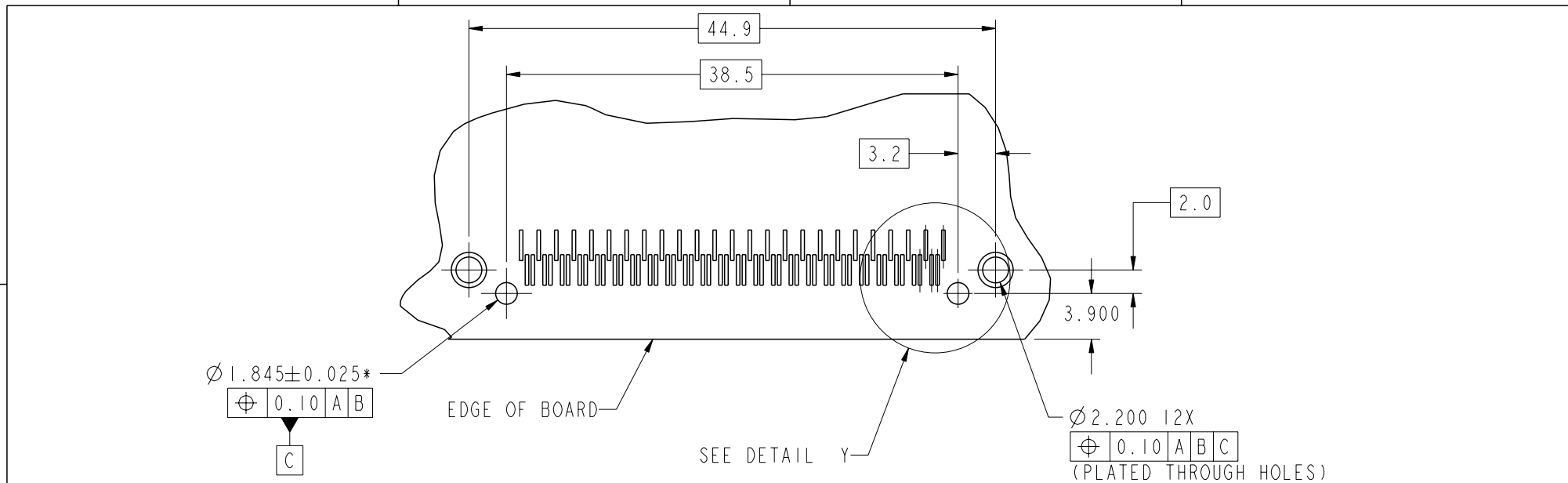
Copyright FCI.

REV F - 2008-04-17

www.fciconnect.com		surface 3.2/ ASME Y14.5	tolerance std ASME Y14.5	projection ASME Y14.5	MM
		TOLERANCES UNLESS OTHERWISE SPECIFIED			
Dr	R DRAGGOO	2002-06-06	ANGULAR	0.X ±.30	size A4
Eng	S. OLSON	2001-09-11	LINEAR	0.XX ±.10	Scale 1:1
Chr	HIRAN V N	2007-02-26	0° ±2°	0.XXX ±.050	ECN 107-0024
Appr	HIRAN V N	2007-02-26	Product family EyeMax (tm)	Spec ref ASME Y14.5	
FCI		title 12X R/A RECPT. ASSEMBLY w/ MOUNTING TABS		diag no 58367	Rev. K
		catalog no	CUSTOMER	sheet 4 of 9	



Copyright FCI.



DATUM A IS SURFACE OF PCB

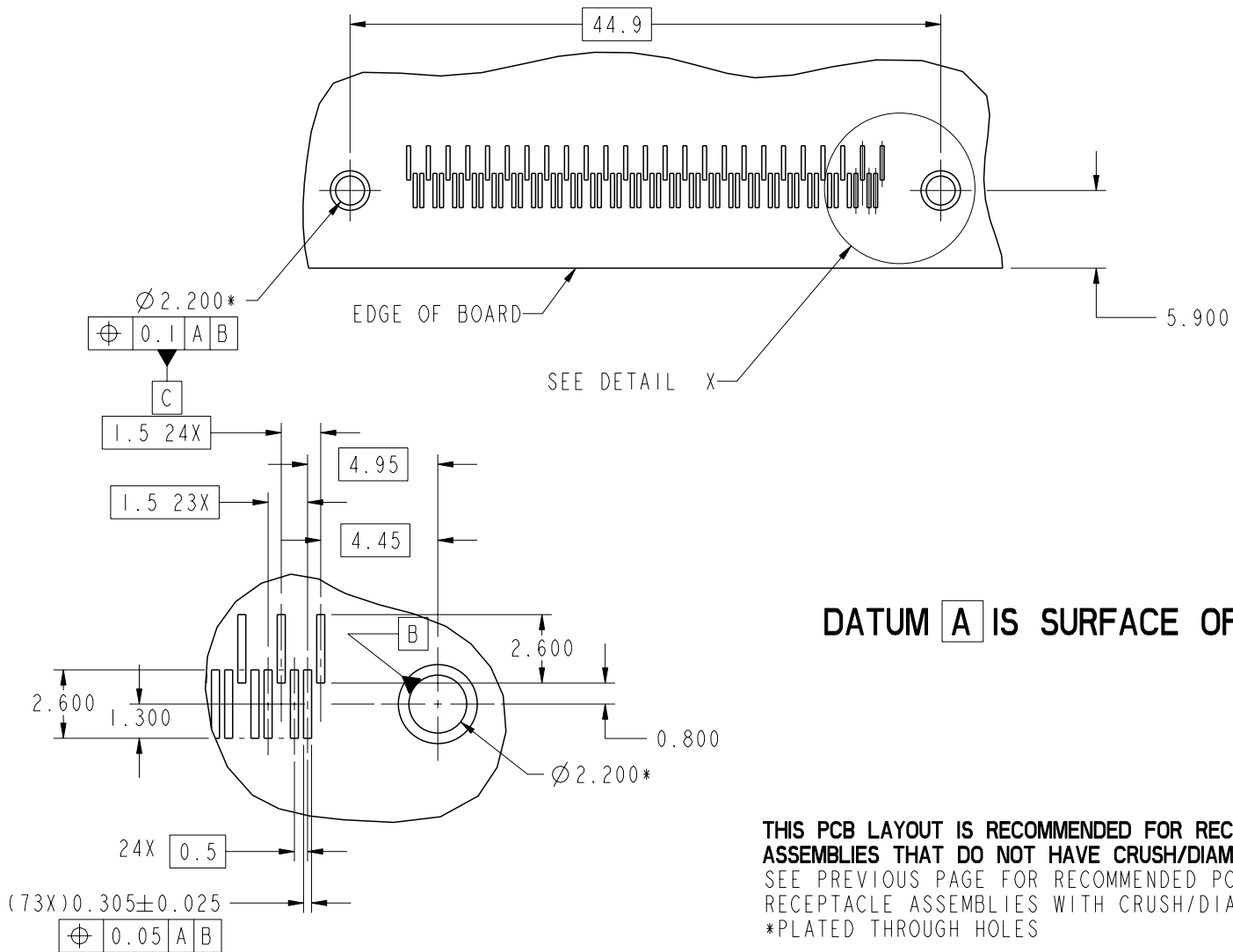
THIS PCB LAYOUT IS RECOMMENDED FOR RECEPTACLE ASSEMBLIES THAT HAVE CRUSH/DIAMOND PEGS (58367-11X1XX). SEE NEXT PAGE FOR RECOMMENDED PCB LAYOUT FOR RECEPTACLE ASSEMBLIES WITHOUT CRUSH/DIAMOND PEGS. *RECEPTACLE CAN ALSO BE PLACED WITH 1.82+0.05/-0.0 BY 2.6±0.05 SLOT AT THIS LOCATION ON PCB.

www.fciconnect.com		surface 3.2/ ASME Y14.5 ✓	tolerance std ASME Y14.5 -	projection	MM		
		TOLERANCES UNLESS OTHERWISE SPECIFIED					
Dr	R DRAGGOO	2002-06-06	ANGULAR	0.X	±.30	size A4	Scale 1:1
Eng	S. OLSON	2001-09-11		LINEAR	0.XX		
Chr	HIRAN V N	2007-02-26	0° ±2°	0.XXX	±.050	ECN	107-0024
Appr	HIRAN V N	2007-02-26	Product family EyeMax (tm)		Spec ref ASME Y14.5		
		title 12X R/A RECPT. ASSEMBLY		dwg no 58367		Rev. K	
		w/ MOUNTING TABS		CUSTOMER		sheet 5 of 9	
		catalog no -					

REV F - 2006-04-17



Copyright FCI.



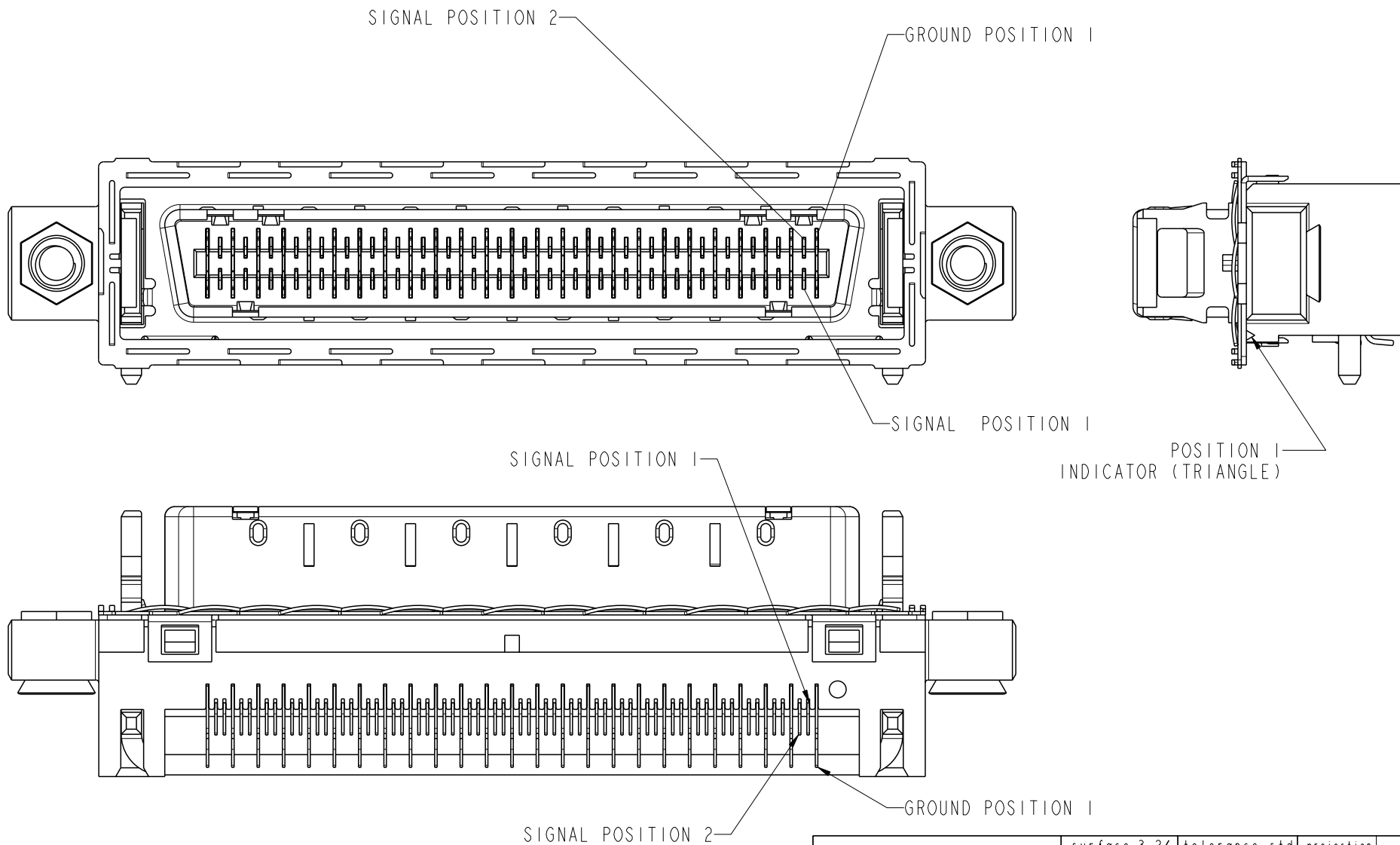
THIS PCB LAYOUT IS RECOMMENDED FOR RECEPTACLE ASSEMBLIES THAT DO NOT HAVE CRUSH/DIAMOND PEGS (58367-11X0XX). SEE PREVIOUS PAGE FOR RECOMMENDED PCB LAYOUT FOR RECEPTACLE ASSEMBLIES WITH CRUSH/DIAMOND PEGS.

*PLATED THROUGH HOLES

www.fciconnect.com		surface 3.2/ ASME Y14.5 ✓	tolerance std ASME Y14.5 -	projection	MM
		TOLERANCES UNLESS OTHERWISE SPECIFIED			
Dr	R DRAGGOO	2002-06-06	ANGULAR	0.X ±.30	size A4
Eng	S. OLSON	2001-09-11	LINEAR	0.XX ±.10	Scale 1:1
Chr	HIRAN V N	2007-02-26	0° ±2°	0.XXX ±.050	ECN 107-0024
Appr	HIRAN V N	2007-02-26	Product family	EyeMax (tm)	Spec ref ASME Y14.5
	title	12X R/A RECPT. ASSEMBLY		dwg no	58367
		w/ MOUNTING TABS			Rev. K
	catalog no	-		CUSTOMER	sheet 6 of 9



Copyright FCI.



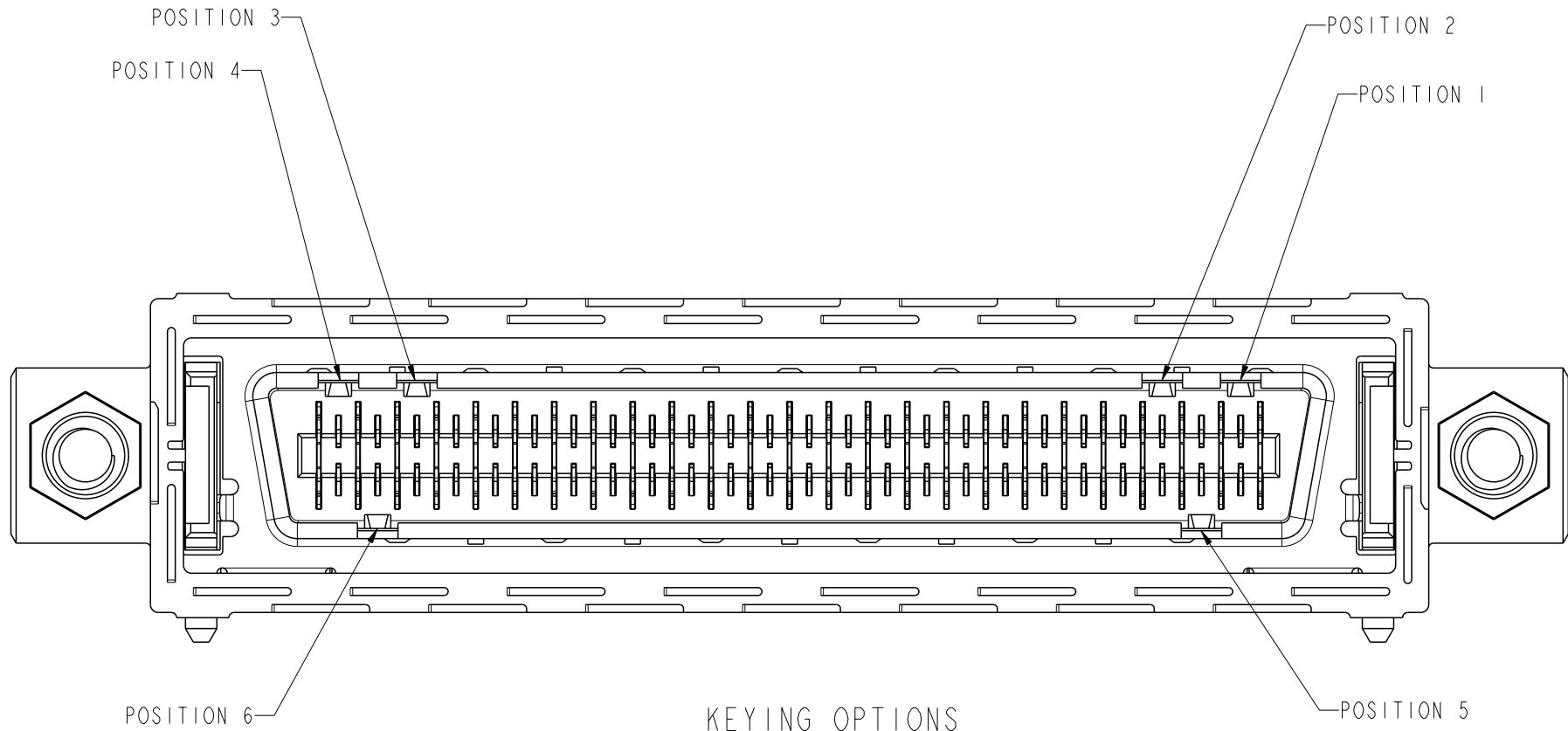
www.fciconnect.com		surface 3.2 ASME Y14.5	tolerance std ASME Y14.5	projection ASME Y14.5	MM
TOLERANCES UNLESS OTHERWISE SPECIFIED		TOLERANCES UNLESS OTHERWISE SPECIFIED			
Dr	R DRAGG00	2002-06-06	ANGULAR	0.X ±.30	size A4
Eng	S.OLSON	2001-09-11	LINEAR	0.XX ±.10	Scale 3:1
Chr	HIRAN V N	2007-02-26	0° ±2°	0.XXX ±.050	ECN 107-0024
Appr	HIRAN V N	2007-02-26	Product family EyeMax (tm)		Spec ref ASME Y14.5
		title 12X R/A RECPT. ASSEMBLY w/ MOUNTING TABS		chg no 58367	Rev. K
catalog no		-		CUSTOMER	sheet 7 of 9

REV F - 2006-04-17

1 2 3 4

KEYING POSITIONS

PART NUMBER	POSITION 1	POSITION 2	POSITION 3	POSITION 4	POSITION 5	POSITION 6
58367-11XXX2		X				X



KEYING OPTIONS



Copyright FCI.

www.fciconnect.com		surface 3.2 ASME Y14.5	tolerance std ASME Y14.5	projection MM
		TOLERANCES UNLESS OTHERWISE SPECIFIED		
Dr	R DRAGGOO	2002-06-06	ANGULAR	0.X ±.30
Eng	S. OLSON	2001-09-11	LINEAR	0.XX ±.10
Chr	HIRAN V N	2007-02-26	0° ±2°	0.XXX ±.050
Appr	HIRAN V N	2007-02-26	Product family EyeMax (tm)	ECN 107-0024
		title 12X R/A RECPT. ASSEMBLY w/ MOUNTING TABS		size A4 Scale 4:1
catalog no -		58367		Rev. K
		CUSTOMER		sheet 8 of 9

REV F - 2008-04-17

1 2 3 4

58367-1XXXXY

- SOLDERTAIL PLATING
BLANK-TIN/LEAD
LF-LEAD FREE (SEE NOTE 2)
- KEYING OPTIONS, SEE SHEET 8
0-NONE
2-CUSTOM
- PACKAGING
1-TAPE & REEL
2-TRAY
- PEGS
0-NO PEGS
1-CRUSH/DIAMOND PEGS
- PCB THICKNESS
1-1.6mm
2-2.4mm
3-4.0mm
- EMI GASKET
1-WITH GASKET
- INTERFACE PLATING
1-Au over Ni

NOTES:)

- ① HOUSING MATERIAL: UL94 V-0 LCP RESIN.
SIGNAL PIN MATERIAL: COPPER ALLOY.
GROUND CONTACT MATERIAL: COPPER ALLOY.
- ② PLATING: LEAD FREE SOLDER TAILS 2μm (80μin) MIN MATTE TIN
OVER 1.27μm (50μin) MIN NICKEL UNDERPLATE.
- ③ P/N AND DATE CODE TO APPEAR ON THIS SURFACE.
4. PRODUCT SPECIFICATION GS-12-209.
5. CONNECTOR WEIGHT = 12.36 grams
6. APPLICATION SPECIFICATION: GS-20-025
7. PACKAGING SPECIFICATION GS-14-794. PACKAGING OF LEAD FREE PRODUCTS MEETS LABELING AND PACKAGING SPECIFICATION GS-14-920.
8. ALL DIMENSIONS ON PCB'S ARE BASIC UNLESS OTHERWISE SPECIFIED.
9. ALL HOLE DIAMETERS ON PCB'S ARE FINISHED HOLE SIZE
- ⑩ AREA ON TOP OF CONNECTOR IS FLAT AND SMOOTH AND CAN BE USED FOR VACUUM PICK & PLACE.
11. MATES WITH EYEMAX® PLUG 58443 (WITHOUT PCB), 58638 (WITH UNEQUALIZED PCB) OR 10026694 (WITH EQUALIZED PCB).
12. RECOMMENDED SCREW TORQUE IS 0.15Nm (1.33 in-lbs).
MAX TORQUE -0.20Nm (1.77 in-lbs)
13. LEAD FREE PRODUCTS MEET EUROPEAN UNION DIRECTIVES AND OTHER COUNTRY REGULATIONS AS DESCRIBED IN GS-22-008.
14. THE HOUSING WILL WITHSTAND EXPOSURE TO 260°C PEAK TEMPERATURE FOR 15 SECONDS IN A CONVECTION, INFRARED OR VAPOR PHASE REFLOW OVEN.



Copyright FCI.

PRODUCT NUMBER	BOARD THICKNESS	DIM A
58367-111XXX	1.6mm	2.3
58367-112XXX	2.4mm	3.1
58367-113XXX	4.0mm	4.7

www.fciconnect.com		surface 3.2 ASME Y14.5 ✓	tolerance std ASME Y14.5 -	projection ⊕	MM ↔
TOLERANCES UNLESS OTHERWISE SPECIFIED		ANGULAR	LINEAR	size A4	Scale 1:1
Dr	R DRAGGOO	2002-06-06	0.X ±.30		
Eng	S. OLSON	2001-09-11	0.XX ±.10		
Chr	HIRAN V N	2007-02-26	0.XXX ±.050	ECN 107-0024	
Appr	HIRAN V N	2007-02-26	Product family EyeMax (tm)	Spec ref ASME Y14.5	
FCI		title 12X R/A RECPT. ASSEMBLY		Rev. K	
		w/ MOUNTING TABS		85367	
		catalog no -		CUSTOMER sheet 9 of 9	