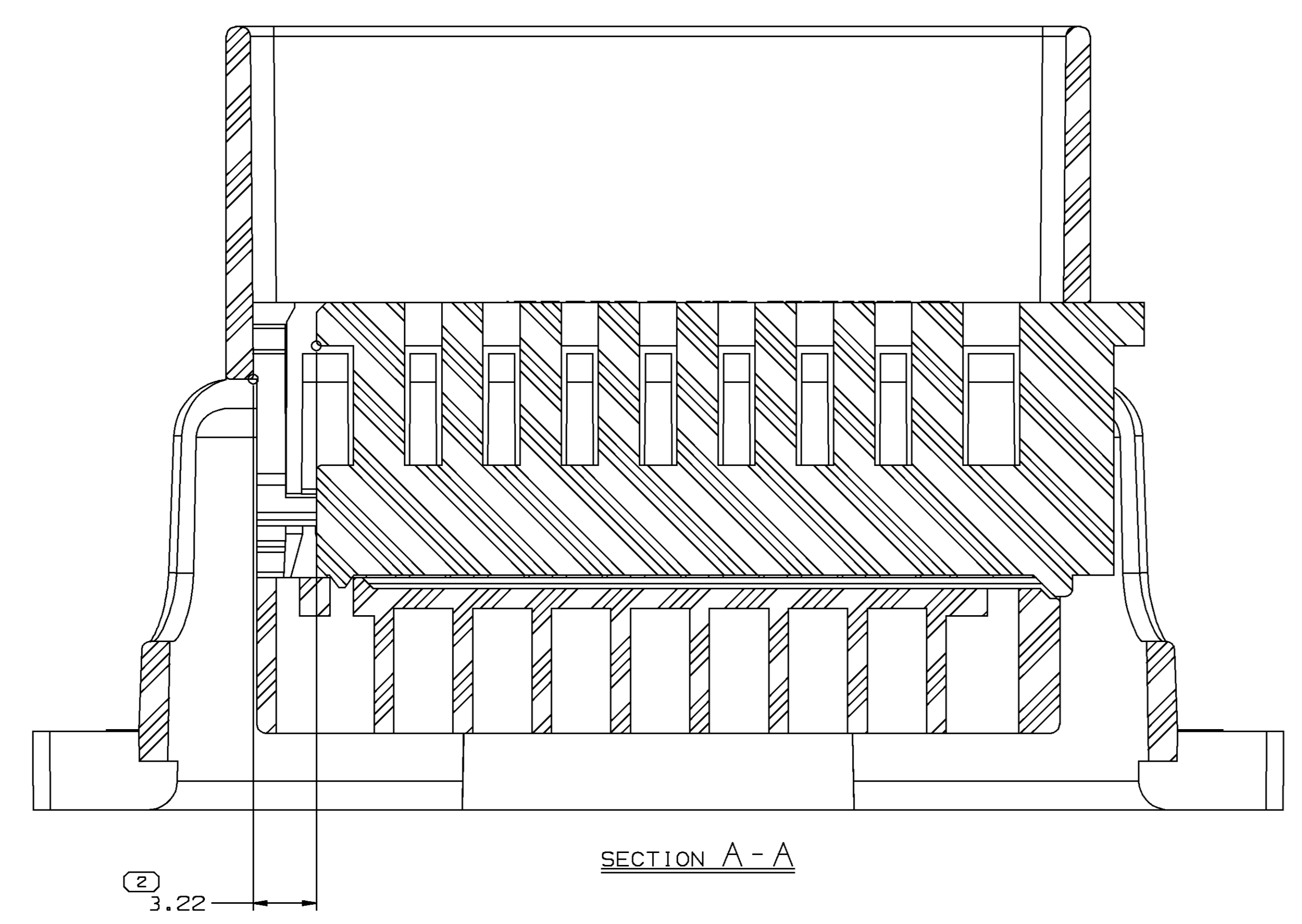
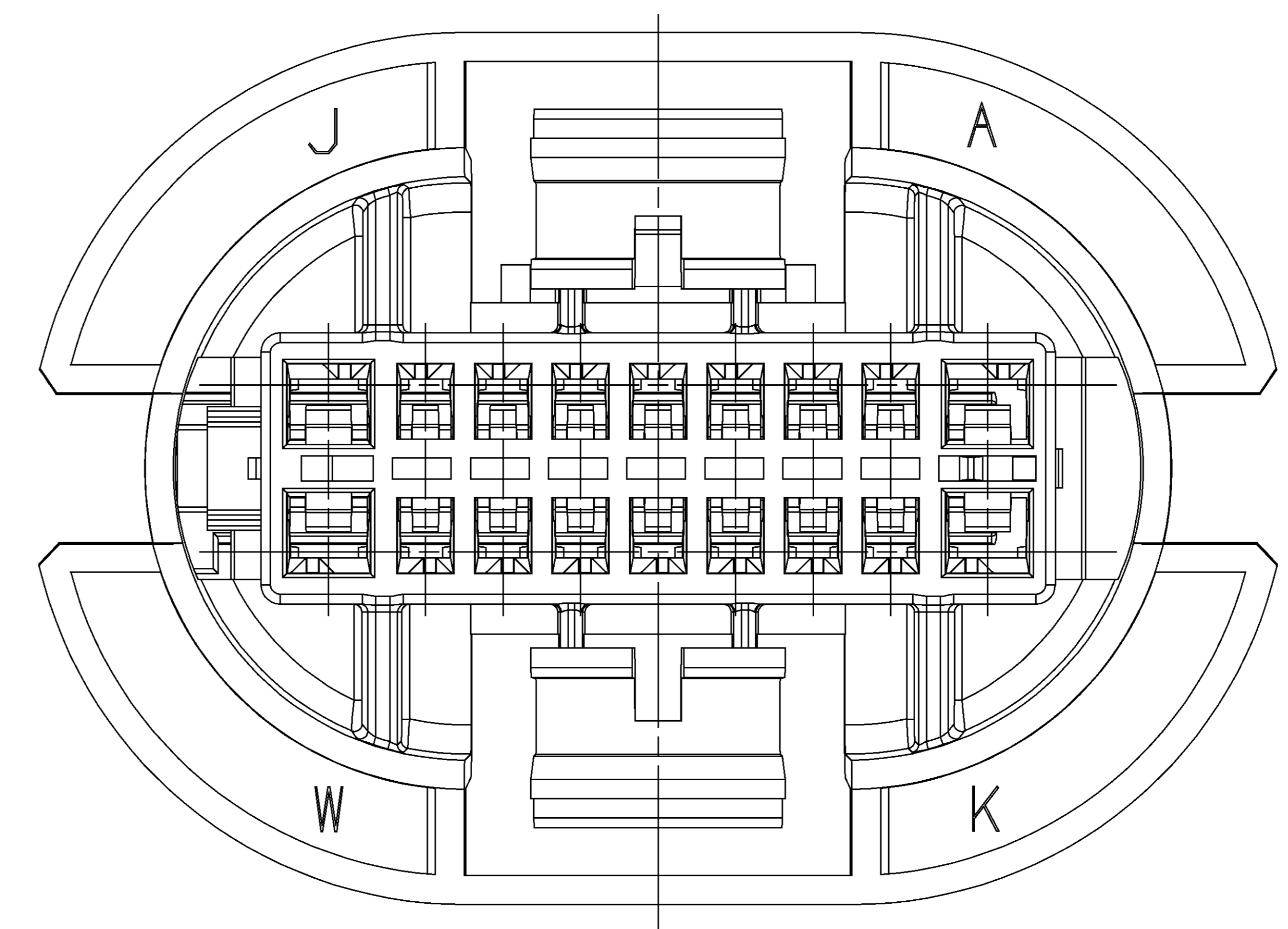
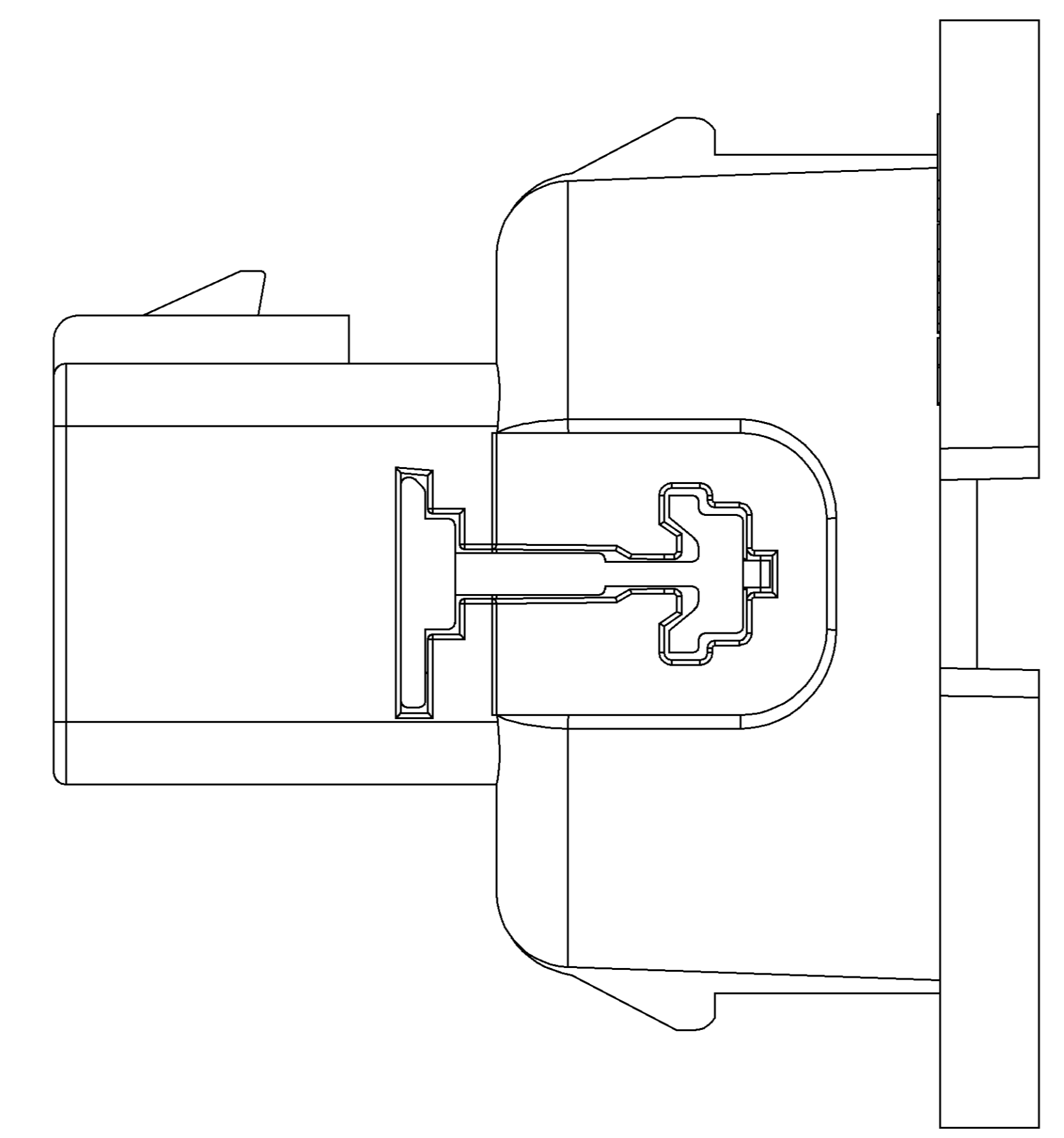
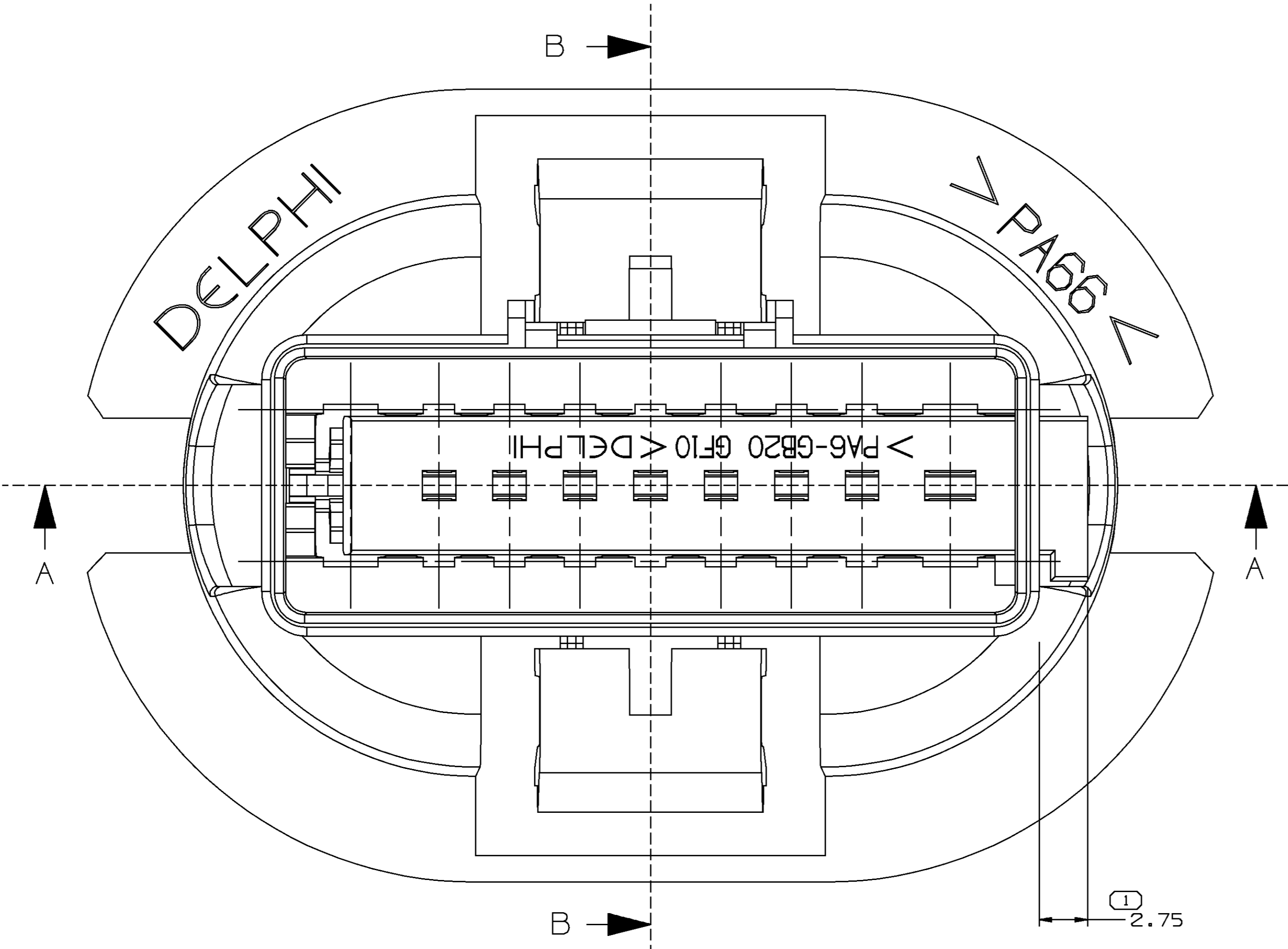
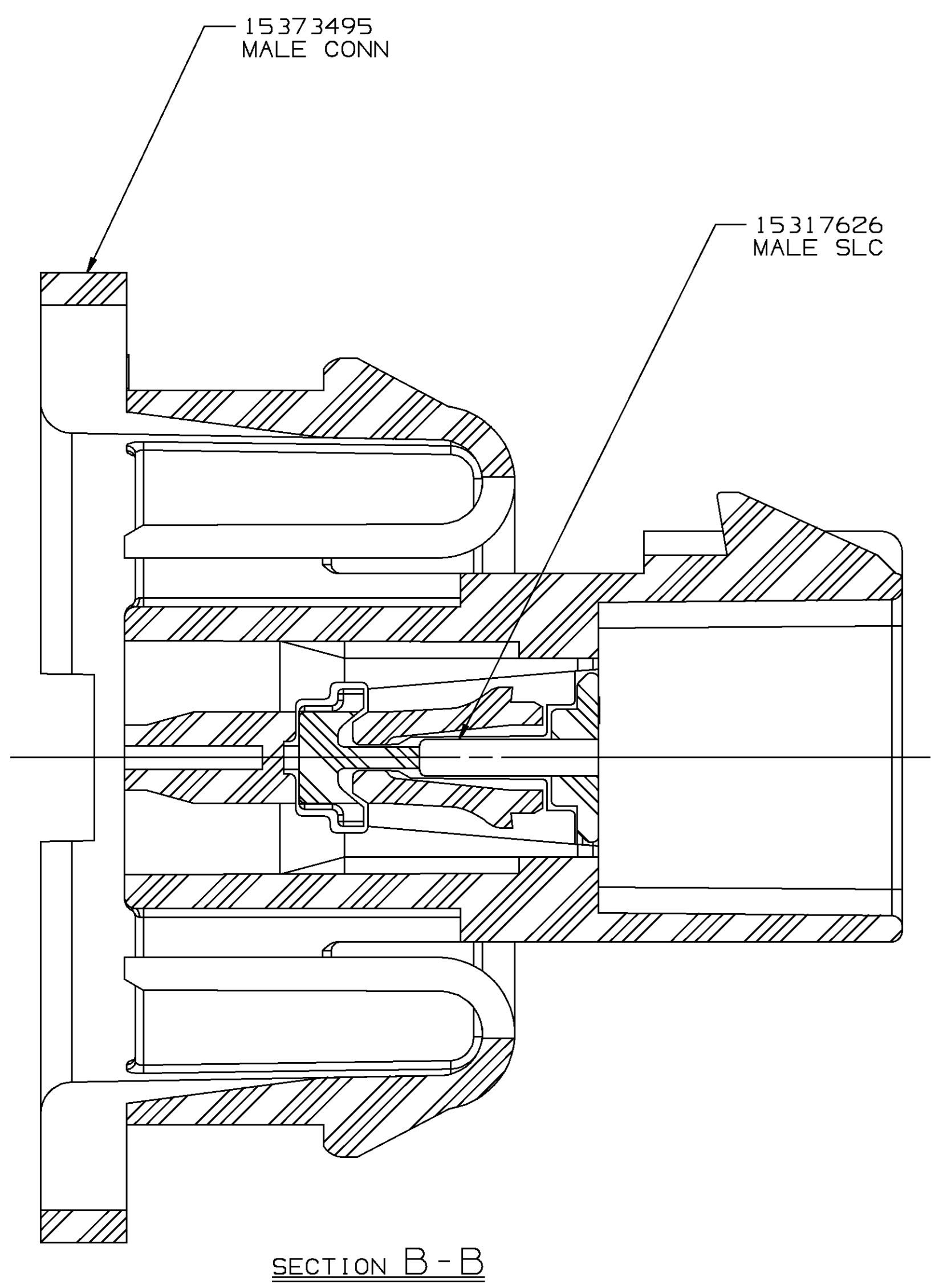
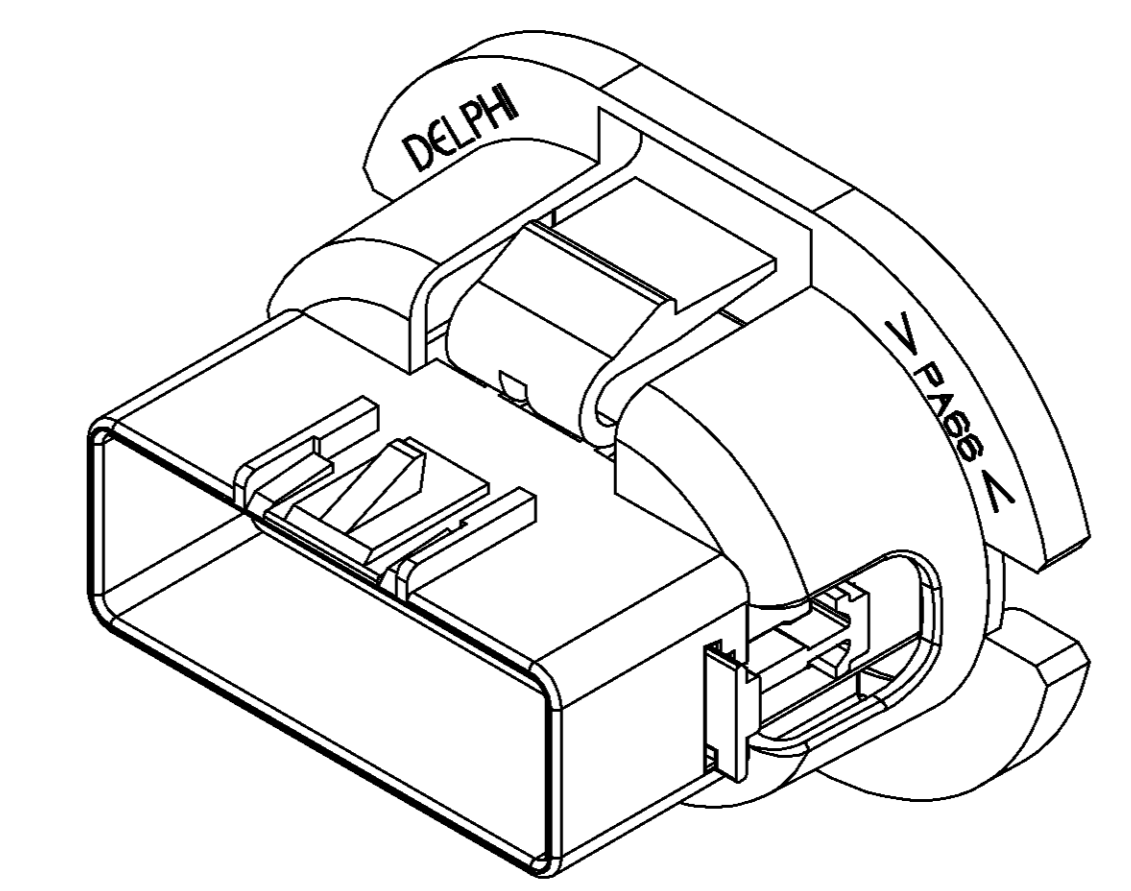
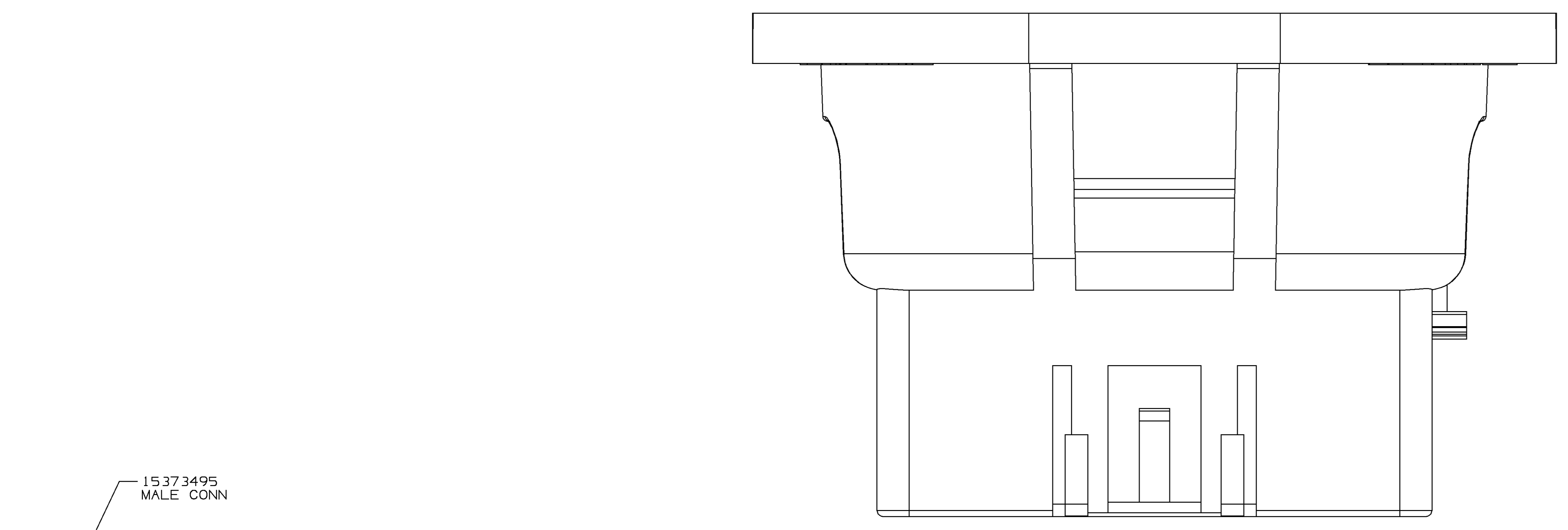


SYMBOL DEFINITION		MISSING NUMBERS		DWG STATUS			REVISION HISTORY			AUTH					
THE NUMBER INSIDE THE SYMBOL	TOTAL NO. OF SYMBOLS ON DRAWING			DATE	STR	REV	CHG	IN/P	ZONE	DATE	BY	CHK	APPV		
2	2			220C99	R	001	-	-				99005	JEB	JEB	BF



- NOTES:
- UNLESS OTHERWISE SPECIFIED AND/OR INDICATED: DIMENSIONS ARE TO FACE OF VIEW SHOWN AND AUTOMATICALLY ROUNDED BY COMPUTER FOR INSPECTION. (SEE MATH MODEL FOR PRECISE DIMENSION) FOR ALL OTHER DIMENSIONS NOT SHOWN BUT REQUIRED FOR TOOL BUILD, SEE MATH MODEL FOR PRECISE TOOL PATH DATA. ALL RADII 0.40 DRAFT 1:1 ON ALL OUTSIDE SURFACES LIKE CAVITIES ARE IDENTICAL LOCKING FEATURES ARE IDENTICAL
  - MATING CONNECTOR; 15317627 OR EQUIVALENT
  - TERMINALS- CAVITIES B-H & L-T USE M GT 150 15304701 TERMINAL OR EQUIVALENT. CAVITIES A, J, K & W USE M GT 280 15304723 TERMINAL OR EQUIVALENT.
  - CONNECTOR TO ACCEPT 15317626 SECONDARY TERMINAL LOCK (SLC) OR EQUIVALENT.
  - MATING GROMMET; 15305388 OR EQUIVALENT

<b>DELPHI</b> Automotive Systems			
MATERIAL SPEC N/A		DIMENSIONAL RANGE FROM 0 TO 100 TO 20 20 > 30 > 40 > 50 > 60 > 70 > 80 > 90 > 100 TOLERANCE UNLESS OTHERWISE SPECIFIED LINEAR TOLERANCE ± .014 ± .004 ANGULAR TOLERANCE ± .2°	
PART DRAWING			
CODE NUMBER 6900	DWG DATE 220C99	SCALE 5:1	D
DC SPEC	STYLE	VOLUME cm <sup>3</sup>	
PART GEOMETRY 3D SOLID	UNLESS OTHERWISE SPECIFIED: PERFECT FORM REQUIRED FOR FEATURES OF SIZE AT MMC. TRUE POSITION TOLERANCES AND RELATED DATUMS APPLY AT CONDITION OF SIZE INDICATED IN FEATURE CONTROL FRAME. ALL OTHER GEOMETRIC TOLERANCES AND RELATED DATUMS APPLY FFS. SEPARATE TRUE POSITION CALLOUTS MAY BE GAGED SEPARATELY, REGARDLESS OF DATUM REFERENCE.		
COPY OF MATH DATA DO NOT SCALE	REFERENCE 001	DR APVD1 J. BANKSTON APVD2 J. BANKSTON APVD3 B. FLASK APVD4 APVD5	DATE 220C99 220C99 250C99
METRIC UNLESS OTHERWISE SPECIFIED, ALL DIMENSIONS ARE IN MILLIMETERS	THIRD ANGLE PROJECTION		
DRAWING NAME ASM CONN 18M GT 150, 280			
FRAME NUMBER 1 of 2	SHEET NUMBER 1 of 1	DRAWING NUMBER 15373496	DWG STATUS S1Z R 001 - R

FRAME NUMBER	SHEET NUMBER	DRAWING NUMBER	DWG STATUS
2 of 2	1 of 1	15373496	S1Z R 001 -