

# DS26LS31MQML

*DS26LS31MQML Quad High Speed Differential Line Driver*



Literature Number: SNOSAM5A

# DS26LS31MQML

## Quad High Speed Differential Line Driver

### General Description

The DS26LS31MQML is a quad differential line driver designed for digital data transmission over balanced lines. The DS26LS31MQML meets all the requirements of EIA Standard RS-422 and Federal Standard 1020. It is designed to provide unipolar differential drive to twisted-pair or parallel-wire transmission lines.

The circuit provides an enable and disable function common to all four drivers. The DS26LS31MQML features TRI-STATE<sup>®</sup> outputs and logically ANDed complementary outputs. The inputs are all LS compatible and are all one unit load.

The DS26LS31 features a power up/down protection circuit which keeps the output in a high impedance state (TRI-STATE) during power up or down preventing erroneous glitches on the transmission lines.

### Features

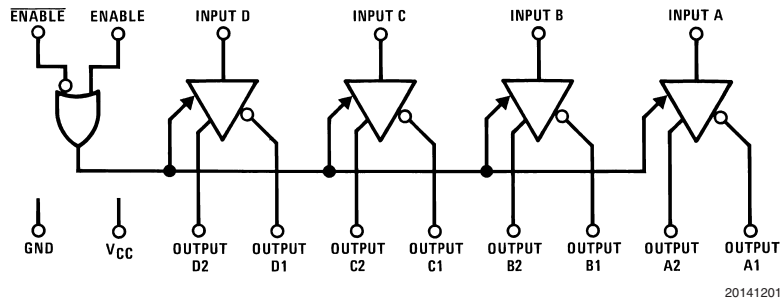
- Operation from single 5V supply
- Outputs won't load line when  $V_{CC} = 0V$
- Four line drivers in one package for maximum package density
- Output short-circuit protection
- Complementary outputs
- Meets the requirements of EIA Standard RS-422
- Pin compatible with AM26LS31
- Glitch free power up/down

### Ordering Information

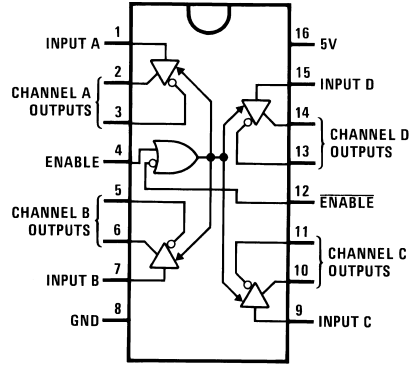
NS PART NUMBER	SMD PART NUMBER	NS PACKAGE NUMBER	PACKAGE DISCRIPTION
DS26LS31MEFQML	5962F7802301Q2A 300k rd(Si)	E20A	20LD Ceramic Leadless Chip Carrier
DS26LS31ME-SMD	5962-7802301Q2A	E20A	20LD Ceramic Leadless Chip Carrier
DS26LS31MJFQML	5962F7802301MEA 300k rd(Si)	J16A	16LD Ceramic Dual-In-Line
DS26LS31MJ-SMD	5962-7802301MEA	J16A	16LD Ceramic Dual-In-Line
DS26LS31MJFQMLV	5962F7802301VEA 300k rd(Si)	J16A	16LD Ceramic Dual-In-Line
DS26LS31MJ-QMLV	5962-7802301VEA	J16A	16LD Ceramic Dual-In-Line
DS26LS31MWFQML	5962F7802301MFA 300k rd(Si)	W16A	16LD Ceramic Flatpak
DS26LS31MW-SMD	5962-7802301MFA	W16A	16LD Ceramic Flatpak
DS26LS31MWFQMLV	5962F7802301VFA 300k rd(Si)	W16A	16LD Ceramic Flatpak
DS26LS31MW-QMLV	5962-7802301VFA	W16A	16LD Ceramic Flatpak
DS26LS31MJ/883		J16A	16LD Ceramic Dual-in-line
DS26LS31MW/883		W16A	16LD Ceramic Flatpak

TRI-STATE<sup>®</sup> is a registered trademark of National Semiconductor Corporation.

# Logic and Connection Diagrams



## Dual-In-Line Package



Top View  
See NS Package E20A, J16A or W16A

**Absolute Maximum Ratings** (Note 1)

Supply Voltage	7V
Input Voltage	7V
Output Voltage	5.5V
Output Voltage (Power OFF)	-0.25 to 6V
Maximum Power Dissipation at 25°C (Note 2)	
J Package	1400 mW
LCC Package	1600 mW
W Package	850 mW
Junction Temperature ( $T_J$ )	+150°C
Thermal Resistance, Junction-to-Ambient $\theta_{JA}$	
J Package	94°C/W derate above +25°C at 10.6 mW/°C
LCC Package	83°C/W derate above +25°C at 12 mW/°C
W Package	163°C/W derate above +25°C at 6.1 mW/°C
Thermal Resistance, Junction-to-Case $\theta_{JC}$	
J Package	16°C/W
LCC Package	19°C/W
W Package	14°C/W
ESD Tolerance	2500V

**Recommended Operating Conditions**

Supply Voltage, $V_{CC}$	4.5 V to 5.5 V
Temperature, $T_A$	-55°C to +125°C

**Radiation Features**

DS26LS31MEFQML	300 Krads (Si)
DS26LS31MJFQML	300 Krads (Si)
DS26LS31MJFQMLV	300 Krads (Si)
DS26LS31MWFQML	300 Krads (Si)
DS26LS31MWFQMLV	300 Krads (Si)

## Quality Conformance Inspection

MIL-STD-883, Method 5005 - Group A

Subgroup	Description	Temp (°C)
1	Static tests at	+25
2	Static tests at	+125
3	Static tests at	-55
4	Dynamic tests at	+25
5	Dynamic tests at	+125
6	Dynamic tests at	-55
7	Functional tests at	+25
8A	Functional tests at	+125
8B	Functional tests at	-55
9	Switching tests at	+25
10	Switching tests at	+125
11	Switching tests at	-55

## DS26LS31M - SMD, QMLV & RH Electrical Characteristics

### DC Parameters

The following conditions apply, unless otherwise specified. +V = 5V,  $V_{CM} = 0V$ . (Note 5)

Symbol	Parameters	Conditions	Notes	Min	Max	Units	Sub-groups
$V_{IH}$	Logical "1" Input Voltage	$V_{CC} = 4.5V$	(Notes 3, 4)	2		V	1, 2, 3
$V_{IL}$	Logical "0" Input Voltage	$V_{CC} = 5.5V$	(Notes 3, 4)		.8	V	1, 2, 3
$V_{OH}$	Logical "1" Output Voltage	$V_{CC} = 4.5V, I_{OH} = -20mA$	(Note 4)	2.5		V	1, 2, 3
$V_{OL}$	Logical "0" Output Voltage	$V_{CC} = 4.5V, I_{OL} = 20mA$	(Note 4)		.5	V	1, 2, 3
$I_{IH}$	Logical "1" Input Current	$V_{CC} = 5.5V, V_{IN} = 2.7V$	(Note 4)	-2.0	20	$\mu A$	1, 2, 3
$I_{IL}$	Logical "0" Input Current	$V_{CC} = 5.5V, V_{IN} = .4V$	(Note 4)	100	-360	$\mu A$	1, 2, 3
$I_I$	Input Reverse Current	$V_{CC} = 5.5V, V_{IN} = 7V$	(Note 4)	-.01	.1	mA	1, 2, 3
$I_O$	TRI-STATE Output Current	$V_{CC} = 5.5V, V_O = .5V$	(Note 4)		-20	$\mu A$	1, 2, 3
		$V_{CC} = 5.5V, V_O = 2.5V$	(Note 4)		20	$\mu A$	1, 2, 3
$V_{IC}$	Input Clamp Voltage	$V_{CC} = 4.5V, I_{IN} = -18mA$	(Note 4)		-1.5	V	1, 2, 3
$I_{OS}$	Output Short Circuit Current	$V_{CC} = 5.5V$	(Note 4)	-30	-150	mA	1, 2, 3
$I_{CC}$	Power Supply Current	$V_{CC} = 5.5V$ , All Outputs Disabled or Active	(Note 4)		80	mA	1, 2, 3

### AC Parameters - Propagation Delay Time

The following conditions apply, unless otherwise specified.  $V_{CC} = 5V, V_{IN} = 1.3V$  to  $V_O = 1.3V, V$  (pulse) = 0 to 3V. (Note 5)

Symbol	Parameters	Conditions	Notes	Min	Max	Unit	Sub-groups
$t_{PLH}$	Input to Output	$C_L = 30 pF$	(Note 4)		20	nS	9
					30	nS	10, 11
$t_{PHL}$	Input to Output	$C_L = 30 pF$	(Note 4)		20	nS	9
					30	nS	10, 11
$t_{Skew}$	Output to Output	$C_L = 30 pF$	(Note 4)		6	nS	9
					9	nS	10, 11

## DS26LS31M - SMD, QMLV & RH Electrical Characteristics (Continued)

### AC Parameters - Propagation Delay Time (Continued)

The following conditions apply, unless otherwise specified.  $V_{CC} = 5V$ ,  $V_{IN} = 1.3V$  to  $V_O = 1.3V$ ,  $V$  (pulse) = 0 to 3V. (Note 5)

Symbol	Parameters	Conditions	Notes	Min	Max	Unit	Sub-groups
$t_{PLZ}$	Enable to Output	S2 Open, Enable, $C_L = 10$ pF	(Note 4)		35	nS	9
					53	nS	10, 11
		S2 Open, $\overline{\text{Enable}}$ , $C_L = 10$ pF	(Note 4)		35	nS	9
					53	nS	10, 11
$t_{PHZ}$	Enable to Output	S1 Open, Enable, $C_L = 10$ pF	(Note 4)		30	nS	9
					45	nS	10, 11
		S1 Open, $\overline{\text{Enable}}$ , $C_L = 10$ pF	(Note 4)		30	nS	9
					45	nS	10, 11
$t_{PZL}$	Enable to Output	S2 Open, Enable, $C_L = 30$ pF	(Note 4)		45	nS	9
					68	nS	10, 11
		S2 Open, $\overline{\text{Enable}}$ , $C_L = 30$ pF	(Note 4)		45	nS	9
					68	nS	10, 11
$t_{PZH}$	Enable to Output	S1 Open, Enable, $C_L = 30$ pF	(Note 4)		40	nS	9
					60	nS	10, 11
		S1 Open, $\overline{\text{Enable}}$ , $C_L = 30$ pF	(Note 4)		40	nS	9
					60	nS	10, 11

### DC Parameters - Drift Values

The following conditions apply, unless otherwise specified. Delta calculations performed on QMLV only devices after burn-in and at Group B5.

Symbol	Parameters	Conditions	Notes	Min	Max	Units	Sub-groups
$V_{OL}$	Output Low Voltage	$V_{CC} = 4.5$ , $I_{OL} = 20$ mA	(Note 4)	-50	50	mV	1
$V_{OH}$	Output High Voltage	$V_{CC} = 4.5$ , $I_{OH} = -20$ mA	(Note 4)	-250	250	mV	1
$I_{CC}$	Power Supply Current	$V_{CC} = 5.5$ , All outputs disabled or active	(Note 4)	-8	8	mA	1

## DS26LS31M - 883 Electrical Characteristics

### DC Parameters

Symbol	Parameters	Conditions	Notes	Min	Max	Unit	Sub-groups
$V_{IH}$	Logical "1" Input Voltage		(Notes 3, 4)	2		V	1, 2, 3
$V_{IL}$	Logical "0" Input Voltage		(Notes 3, 4)		.8	V	1, 2, 3
$V_{OH}$	Logical "1" Output Voltage	$V_{CC} = 4.5V, I_{OH} = -20mA$	(Note 4)	2.5		V	1, 2, 3
$V_{OL}$	Logical "0" Output Voltage	$V_{CC} = 4.5V, I_{OL} = 20mA$	(Note 4)		.5	V	1, 2, 3
$I_{IH}$	Logical "1" Input Current	$V_{CC} = 5.5V, V_{IN} = 2.7V$	(Note 4)		20	$\mu A$	1, 2, 3
$I_{IL}$	Logical "0" Input Current	$V_{CC} = 5.5V, V_{IN} = .4V$	(Note 4)		-200	$\mu A$	1, 2, 3
$I_I$	Input Reverse Current	$V_{CC} = 5.5V, V_{IN} = 7V$	(Note 4)		.1	mA	1, 2, 3
$I_O$	TRI-STATE Output Current	$V_{CC} = 5.5V, V_O = .5V$	(Note 4)		-20	$\mu A$	1, 2, 3
		$V_{CC} = 5.5V, V_O = 2.5V$	(Note 4)		20	$\mu A$	1, 2, 3
$V_{IC}$	Input Clamp Voltage	$V_{CC} = 4.5V, I_{IN} = -18mA$	(Note 4)		-1.5	V	1, 2, 3
$I_{OS} (min)$	Output Short Circuit Current	$V_{CC} = 5.5V$	(Note 4)	-30		mA	1, 2, 3
$I_{OS} (max)$	Output Short Circuit Current	$V_{CC} = 5.5V$	(Note 4)		-150	mA	1, 2, 3
$I_{CC}$	Power Supply Current	$V_{CC} = 5.5V, \text{All Outputs Disabled or Active}$	(Note 4)		60	mA	1, 2, 3

### AC Parameters - Propagation Delay Time

The following conditions apply, unless otherwise specified.  $V_{CC} = 5V, C_L = 50pF$  or equivalent impedance provided by diode load.

Symbol	Parameters	Conditions	Notes	Min	Max	Unit	Sub-groups
$t_{PLH}$	Input to Output		(Notes 4, 6)		15	nS	9
					30	nS	10, 11.
$t_{PHL}$	Input to Output		(Notes 4, 6)		15	nS	9
					30	nS	10, 11.
$t_{Skew}$	Output to Output		(Notes 4, 6)		6	nS	9
					9	nS	10, 11.
$t_{PLZ}$	Enable to Output	S2 Open, Enable	(Notes 4, 6)		35	nS	9
		S2 Open, /Enable		(Notes 4, 6)		53	nS
$t_{PHZ}$	Enable to Output	S1 Open, Enable	(Notes 4, 6)		25	nS	9
		S1 Open, /Enable		(Notes 4, 6)		45	nS
$t_{PZL}$	Enable to Output	S2 Open, /Enable	(Notes 4, 6)		25	nS	9
		S2 Open, Enable		(Notes 4, 6)		45	nS
$t_{PZL}$	Enable to Output	S2 Open, Enable	(Notes 4, 6)		30	nS	9
		S2 Open, /Enable		(Notes 4, 6)		68	nS
$t_{PZH}$	Enable to Output	S1 Open, /Enable	(Notes 4, 6)		30	nS	9
		S1 Open, Enable		(Notes 4, 6)		60	nS
$t_{PZH}$	Enable to Output	S1 Open, Enable	(Notes 4, 6)		30	nS	9
		S1 Open, /Enable		(Notes 4, 6)		60	nS

**Note 1:** "Absolute Maximum Ratings" are those values beyond which the safety of the device cannot be guaranteed. They are not meant to imply that the devices should be operated at these limits. The tables of "Electrical Characteristics" provide conditions for actual device operation.

**Note 2:** Derate CDip = 11.5 mW/°C, CLCC = 13mW/°C, Cerpack = 7.4mW/°C above 25°C.

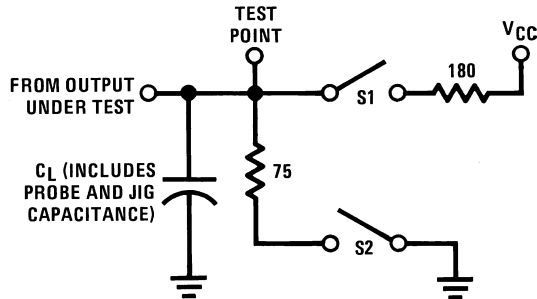
**Note 3:** Parameter tested go-no-go only.

**Note 4:** Subgroups 1, 2 and 9, 10: Power dissipation must be externally controlled at elevated temperatures.

**Note 5:** Pre and post irradiation limits are identical to those listed under AC and DC electrical characteristics. These parts may be dose rate sensitive in a space environment and demonstrate enhanced low dose rate effect. Radiation end point limits for the noted parameters are guaranteed only for the conditions as specified in MIL-STD 883, Method 1019, Condition A.

**Note 6:** Subgroup 10 and 11 guaranteed but not tested.

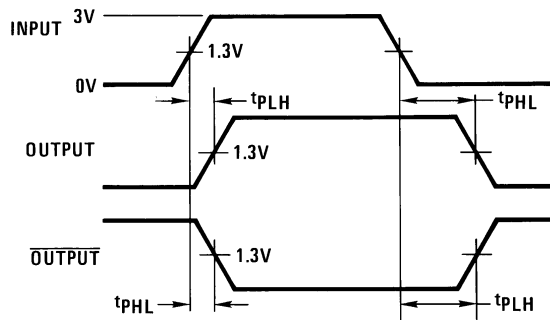
## AC Test Circuit and Switching Time Waveforms



20141203

S1 and S2 of load circuit are closed except where shown.

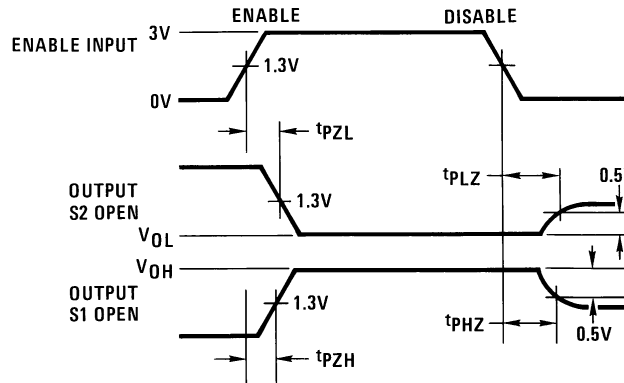
FIGURE 1. AC Test Circuit



20141204

f = 1 MHz,  $t_r \leq 15$  ns,  $t_f \leq 6$  ns

FIGURE 2. Propagation Delays



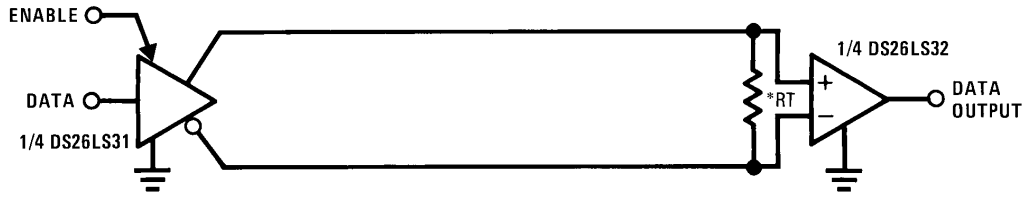
20141205

f = 1 MHz,  $t_r \leq 15$  ns,  $t_f \leq 6$  ns

FIGURE 3. Enable and Disable Times

# Typical Applications

Two-Wire Balanced System, RS-422

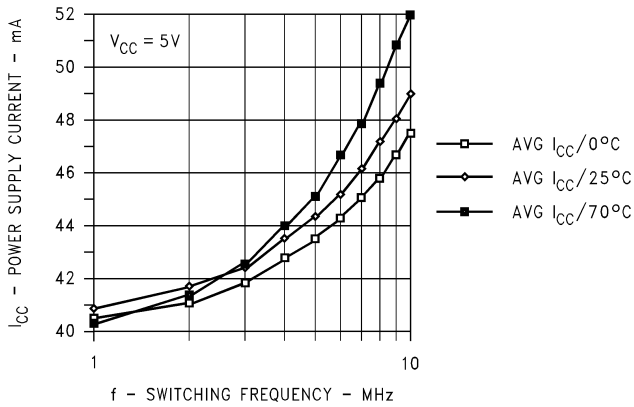


Note 7:  $R_T$  is optional although highly recommended to reduce reflection.

20141206

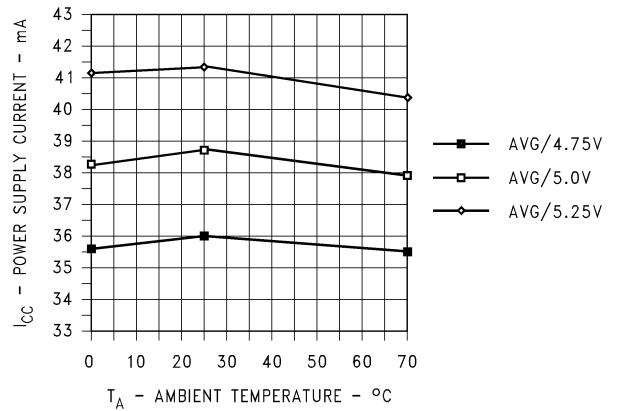
# Typical Performance Characteristics

DS26LS31MQMLCN Unloaded  $I_{CC}$  vs Frequency vs  $T_A$



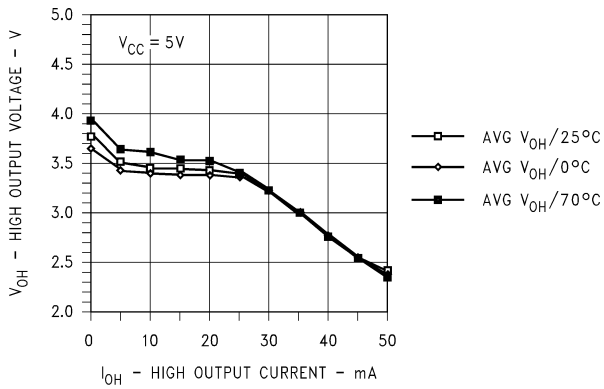
20141207

DS26LS31MQML  $I_{CC}$  vs  $V_{CC}$  vs  $T_A$



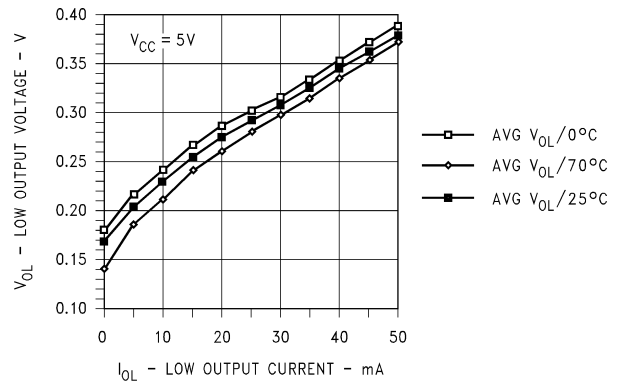
20141208

DS26LS31MQMLCN  $V_{OH}$  vs  $I_{OH}$  vs  $T_A$



20141209

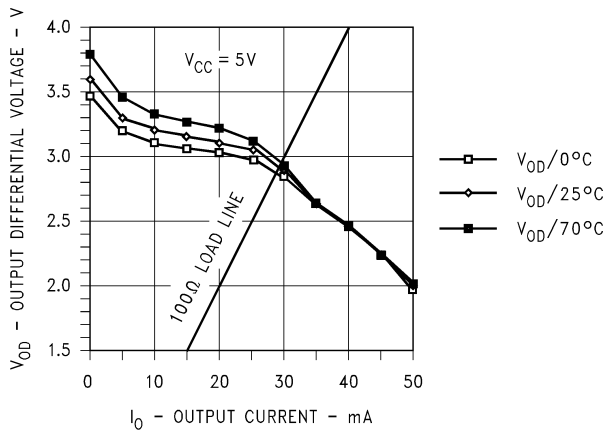
DS26LS31MQMLCN  $V_{OL}$  vs  $I_{OL}$  vs  $T_A$



20141210

# Typical Performance Characteristics (Continued)

DS26LS31MQMLCN  $V_{OD}$  vs  $I_O$  vs  $T_A$

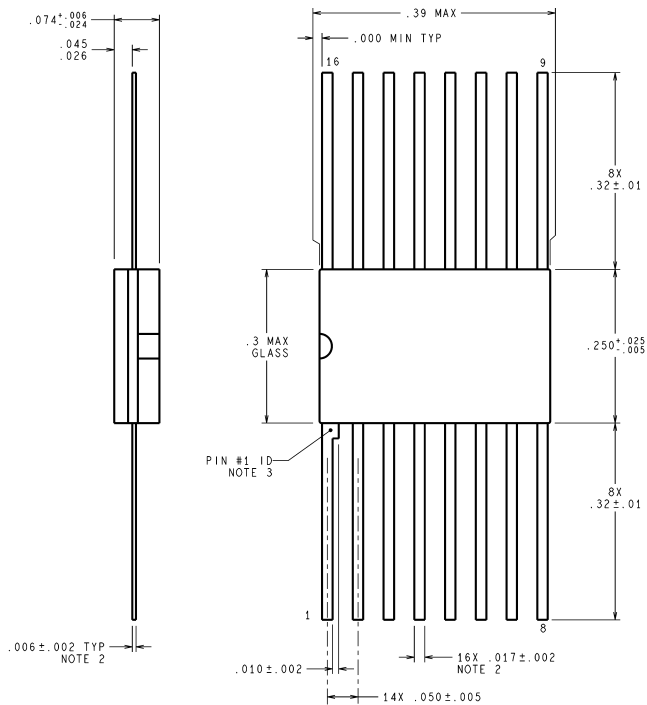


20141211

## Revision History Section

Date Released	Revision	Section	Originator	Changes
08/04/05	A	New Release, Corporate format	R. Malone	2 MDS data sheets converted into a Corp. data sheet format. Following MDS data sheets will be Archived MDDS26LS31M-X-RH, Rev.2A0, MNDS26LS31M-X, Rev. 0A0
03/01/06	B	Ordering Info. Table, Absolute Ratings, Maximum Operating Conditions, New Radiation Section. Typo's in QMLV & RH, 883 AC Electrical Characteristics Parameters Column	R. Malone	Added: Junction temp., Thermal Resistance $\theta_{JA}$ and $\theta_{JC}$ . Added a Radiation Section. Changed: Maximum Operating Conditions to Recommended Operating Conditions, Enable and Disable Time to Enable to Output. Revision A will be archived.

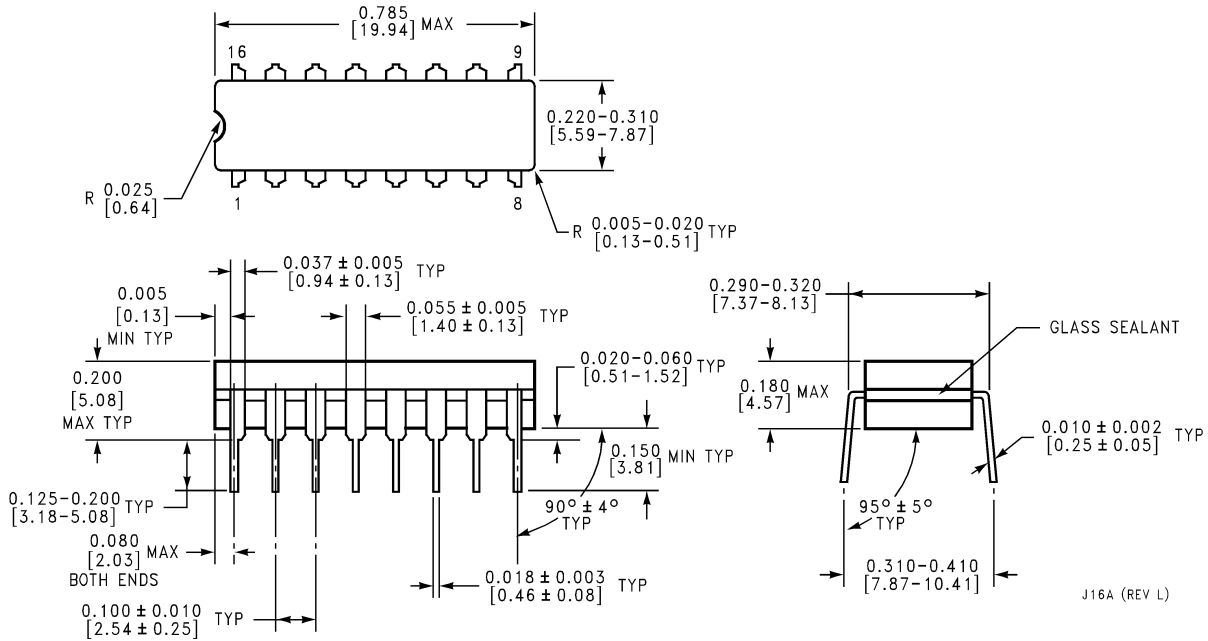
**Physical Dimensions** inches (millimeters) unless otherwise noted



DIMENSIONS ARE IN INCHES

W16A (Rev T)

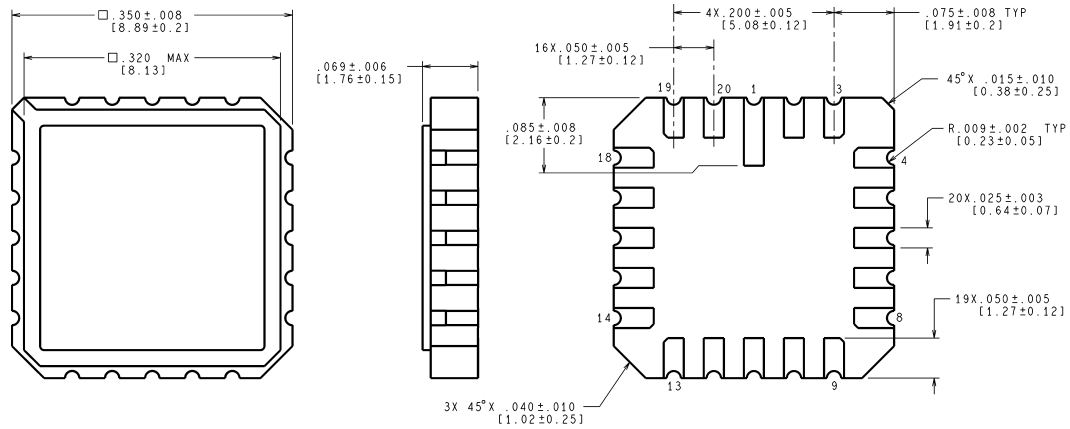
**16 Lead Ceramic Flatpak (W)  
NS Package Number W16A**



J16A (REV L)

**16 Lead Ceramic Dual-in-Line Package (J)  
NS Package Number J16A**

**Physical Dimensions** inches (millimeters) unless otherwise noted (Continued)



CONTROLLING DIMENSION IS INCH  
VALUES IN [ ] ARE MILLIMETERS

E20A (Rev F)

**20 Lead Ceramic Leadless Chip Carrier (E)  
NS Package Number E20A**

National does not assume any responsibility for use of any circuitry described, no circuit patent licenses are implied and National reserves the right at any time without notice to change said circuitry and specifications.

For the most current product information visit us at [www.national.com](http://www.national.com).

**LIFE SUPPORT POLICY**

NATIONAL'S PRODUCTS ARE NOT AUTHORIZED FOR USE AS CRITICAL COMPONENTS IN LIFE SUPPORT DEVICES OR SYSTEMS WITHOUT THE EXPRESS WRITTEN APPROVAL OF THE PRESIDENT AND GENERAL COUNSEL OF NATIONAL SEMICONDUCTOR CORPORATION. As used herein:

1. Life support devices or systems are devices or systems which, (a) are intended for surgical implant into the body, or (b) support or sustain life, and whose failure to perform when properly used in accordance with instructions for use provided in the labeling, can be reasonably expected to result in a significant injury to the user.
2. A critical component is any component of a life support device or system whose failure to perform can be reasonably expected to cause the failure of the life support device or system, or to affect its safety or effectiveness.

**BANNED SUBSTANCE COMPLIANCE**

National Semiconductor manufactures products and uses packing materials that meet the provisions of the Customer Products Stewardship Specification (CSP-9-111C2) and the Banned Substances and Materials of Interest Specification (CSP-9-111S2) and contain no "Banned Substances" as defined in CSP-9-111S2.

Leadfree products are RoHS compliant.



**National Semiconductor**  
Americas Customer  
Support Center  
Email: [new.feedback@nsc.com](mailto:new.feedback@nsc.com)  
Tel: 1-800-272-9959

**National Semiconductor**  
Europe Customer Support Center  
Fax: +49 (0) 180-530 85 86  
Email: [europe.support@nsc.com](mailto:europe.support@nsc.com)  
Deutsch Tel: +49 (0) 69 9508 6208  
English Tel: +44 (0) 870 24 0 2171  
Français Tel: +33 (0) 1 41 91 8790

**National Semiconductor**  
Asia Pacific Customer  
Support Center  
Email: [ap.support@nsc.com](mailto:ap.support@nsc.com)

**National Semiconductor**  
Japan Customer Support Center  
Fax: 81-3-5639-7507  
Email: [jpn.feedback@nsc.com](mailto:jpn.feedback@nsc.com)  
Tel: 81-3-5639-7560

## IMPORTANT NOTICE

Texas Instruments Incorporated and its subsidiaries (TI) reserve the right to make corrections, modifications, enhancements, improvements, and other changes to its products and services at any time and to discontinue any product or service without notice. Customers should obtain the latest relevant information before placing orders and should verify that such information is current and complete. All products are sold subject to TI's terms and conditions of sale supplied at the time of order acknowledgment.

TI warrants performance of its hardware products to the specifications applicable at the time of sale in accordance with TI's standard warranty. Testing and other quality control techniques are used to the extent TI deems necessary to support this warranty. Except where mandated by government requirements, testing of all parameters of each product is not necessarily performed.

TI assumes no liability for applications assistance or customer product design. Customers are responsible for their products and applications using TI components. To minimize the risks associated with customer products and applications, customers should provide adequate design and operating safeguards.

TI does not warrant or represent that any license, either express or implied, is granted under any TI patent right, copyright, mask work right, or other TI intellectual property right relating to any combination, machine, or process in which TI products or services are used. Information published by TI regarding third-party products or services does not constitute a license from TI to use such products or services or a warranty or endorsement thereof. Use of such information may require a license from a third party under the patents or other intellectual property of the third party, or a license from TI under the patents or other intellectual property of TI.

Reproduction of TI information in TI data books or data sheets is permissible only if reproduction is without alteration and is accompanied by all associated warranties, conditions, limitations, and notices. Reproduction of this information with alteration is an unfair and deceptive business practice. TI is not responsible or liable for such altered documentation. Information of third parties may be subject to additional restrictions.

Resale of TI products or services with statements different from or beyond the parameters stated by TI for that product or service voids all express and any implied warranties for the associated TI product or service and is an unfair and deceptive business practice. TI is not responsible or liable for any such statements.

TI products are not authorized for use in safety-critical applications (such as life support) where a failure of the TI product would reasonably be expected to cause severe personal injury or death, unless officers of the parties have executed an agreement specifically governing such use. Buyers represent that they have all necessary expertise in the safety and regulatory ramifications of their applications, and acknowledge and agree that they are solely responsible for all legal, regulatory and safety-related requirements concerning their products and any use of TI products in such safety-critical applications, notwithstanding any applications-related information or support that may be provided by TI. Further, Buyers must fully indemnify TI and its representatives against any damages arising out of the use of TI products in such safety-critical applications.

TI products are neither designed nor intended for use in military/aerospace applications or environments unless the TI products are specifically designated by TI as military-grade or "enhanced plastic." Only products designated by TI as military-grade meet military specifications. Buyers acknowledge and agree that any such use of TI products which TI has not designated as military-grade is solely at the Buyer's risk, and that they are solely responsible for compliance with all legal and regulatory requirements in connection with such use.

TI products are neither designed nor intended for use in automotive applications or environments unless the specific TI products are designated by TI as compliant with ISO/TS 16949 requirements. Buyers acknowledge and agree that, if they use any non-designated products in automotive applications, TI will not be responsible for any failure to meet such requirements.

Following are URLs where you can obtain information on other Texas Instruments products and application solutions:

### Products

Audio	<a href="http://www.ti.com/audio">www.ti.com/audio</a>
Amplifiers	<a href="http://amplifier.ti.com">amplifier.ti.com</a>
Data Converters	<a href="http://dataconverter.ti.com">dataconverter.ti.com</a>
DLP® Products	<a href="http://www.dlp.com">www.dlp.com</a>
DSP	<a href="http://dsp.ti.com">dsp.ti.com</a>
Clocks and Timers	<a href="http://www.ti.com/clocks">www.ti.com/clocks</a>
Interface	<a href="http://interface.ti.com">interface.ti.com</a>
Logic	<a href="http://logic.ti.com">logic.ti.com</a>
Power Mgmt	<a href="http://power.ti.com">power.ti.com</a>
Microcontrollers	<a href="http://microcontroller.ti.com">microcontroller.ti.com</a>
RFID	<a href="http://www.ti-rfid.com">www.ti-rfid.com</a>
OMAP Mobile Processors	<a href="http://www.ti.com/omap">www.ti.com/omap</a>
Wireless Connectivity	<a href="http://www.ti.com/wirelessconnectivity">www.ti.com/wirelessconnectivity</a>

### Applications

Communications and Telecom	<a href="http://www.ti.com/communications">www.ti.com/communications</a>
Computers and Peripherals	<a href="http://www.ti.com/computers">www.ti.com/computers</a>
Consumer Electronics	<a href="http://www.ti.com/consumer-apps">www.ti.com/consumer-apps</a>
Energy and Lighting	<a href="http://www.ti.com/energy">www.ti.com/energy</a>
Industrial	<a href="http://www.ti.com/industrial">www.ti.com/industrial</a>
Medical	<a href="http://www.ti.com/medical">www.ti.com/medical</a>
Security	<a href="http://www.ti.com/security">www.ti.com/security</a>
Space, Avionics and Defense	<a href="http://www.ti.com/space-avionics-defense">www.ti.com/space-avionics-defense</a>
Transportation and Automotive	<a href="http://www.ti.com/automotive">www.ti.com/automotive</a>
Video and Imaging	<a href="http://www.ti.com/video">www.ti.com/video</a>

TI E2E Community Home Page

[e2e.ti.com](http://e2e.ti.com)

Mailing Address: Texas Instruments, Post Office Box 655303, Dallas, Texas 75265  
Copyright © 2011, Texas Instruments Incorporated