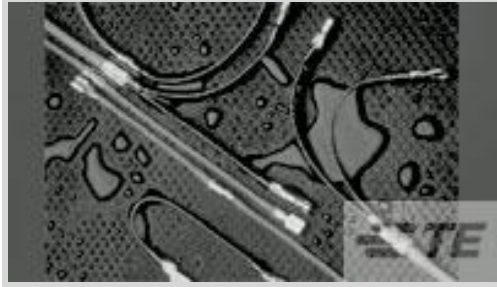




Terminals & Splices > Rings & Spades



Wire Size: 3 – 6 mm²

Stud Size: 3/8

Stud Diameter: 10.5 mm [.413 in]

Tongue Thickness: .9906 mm [.039 in]

Features

Product Type Features

Shape Description	RING-008
Stud Size	3/8
Barrel Type	Closed Barrel
Sealable	No
Insulated	Yes
Wire/Cable Type	Regular Wire
Support Style	Insulation Support

Configuration Features

Number of Holes	1
Terminal Angle	Straight

Body Features

Inspection Slot	No
Insulation Sleeve Color	Yellow
Weight per Piece	3.06 g[.108 oz]
Plating Material	Copper, Tin

Contact Features

Terminal Orientation	Straight
----------------------	----------

Mechanical Attachment

Wire Insulation Support	With
-------------------------	------

Dimensions

Wire Size	3 – 6 mm ²
Stud Diameter	10.5 mm[.413 in]
Tongue Thickness	.9906 mm[.039 in]
Overall Length	46.99 mm[1.85 in]
Barrel Inside Diameter	6.5024 mm[.256 in]

Usage Conditions

Operating Temperature Range	-55 – 125 °C
-----------------------------	--------------

Operation/Application

Heavy Duty	No
------------	----

Industry Standards

Government Qualified	No
----------------------	----

Packaging Features

Packaging Quantity	500
Packaging Method	Package

Other

Comment	Crimp Termination
---------	-------------------

Product Compliance

[For compliance documentation, visit the product page on TE.com>](#)

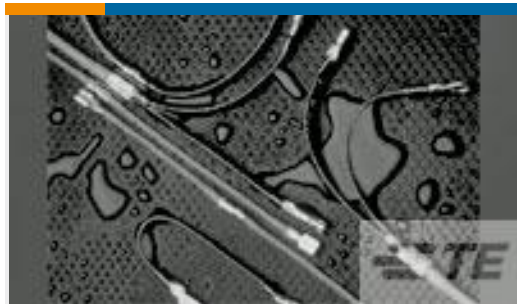
EU RoHS Directive 2011/65/EU	Compliant
EU ELV Directive 2000/53/EC	Compliant
China RoHS 2 Directive MIIT Order No 32, 2016	No Restricted Materials Above Threshold
EU REACH Regulation (EC) No. 1907/2006	Current ECHA Candidate List: JAN 2019 (197) Candidate List Declared Against: JAN 2019 (197)
Halogen Content	Out of Scope - excluded from Halogen requirements
Solder Process Capability	Not applicable for solder process capability

Product Compliance Disclaimer

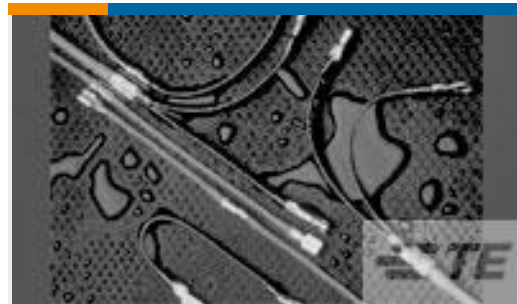
This information is provided based on reasonable inquiry of our suppliers and represents our current actual knowledge based on the information they provided. This information is subject to change. The part numbers that TE has identified as EU RoHS compliant have a maximum concentration of 0.1% by weight in homogenous materials for lead, hexavalent chromium, mercury, PBB, PBDE, DBP, BBP, DEHP, DIBP, and 0.01% for cadmium, or qualify for an exemption to these limits as defined in the Annexes of Directive 2011/65/EU (RoHS2). Finished electrical and electronic equipment products will be CE marked as required by Directive 2011/65/EU. Components may not be CE marked. Additionally, the part

numbers that TE has identified as EU ELV compliant have a maximum concentration of 0.1% by weight in homogenous materials for lead, hexavalent chromium, and mercury, and 0.01% for cadmium, or qualify for an exemption to these limits as defined in the Annexes of Directive 2000/53/EC (ELV). Regarding the REACH Regulations, TE's information on SVHC in articles for this part number is still based on the European Chemical Agency (ECHA) 'Guidance on requirements for substances in articles' (Version: 2, April 2011), applying the 0.1% weight on weight concentration threshold at the finished product level. TE is aware of the European Court of Justice ruling of September 10th, 2015 also known as O5A (Once An Article Always An Article) stating that, in case of 'complex object', the threshold for a SVHC must be applied to both the product as a whole and simultaneously to each of the articles forming part of its composition. TE has evaluated this ruling based on the new ECHA "Guidance on requirements for substances in articles" (June 2017, version 4.0) and will be updating its statements accordingly.

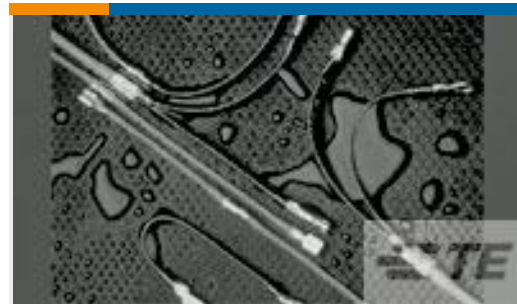
Customers Also Bought



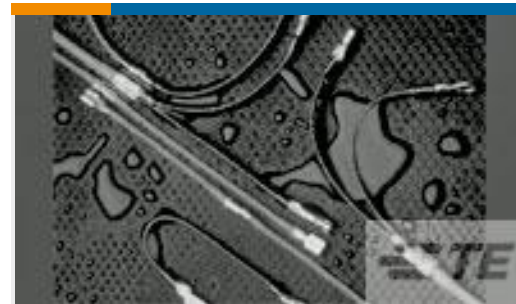
TE Part #899003-000
[B-106-1603](#)



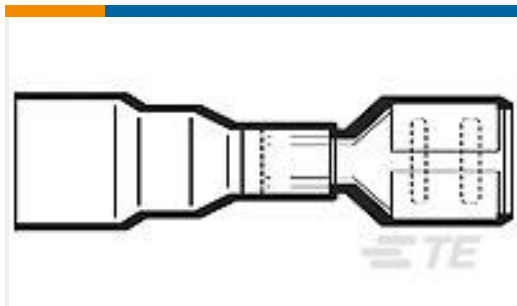
TE Part #765793-000
[B-106-1802](#)



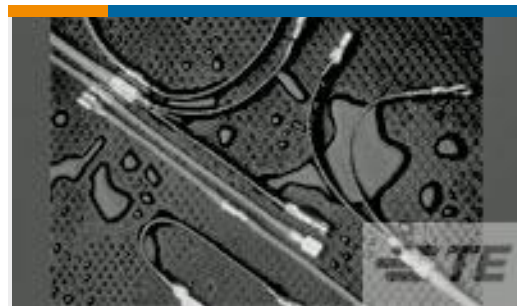
TE Part #944773-000
[B-106-1803](#)



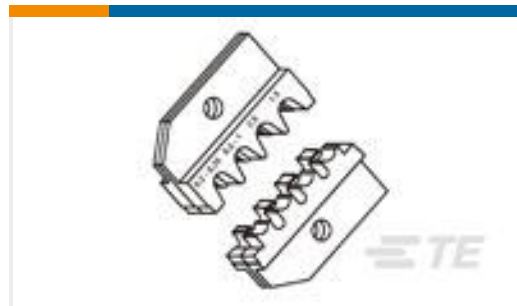
TE Part #467777-000
[B-106-4632](#)



TE Part #518553-000
[B-106-3631](#)



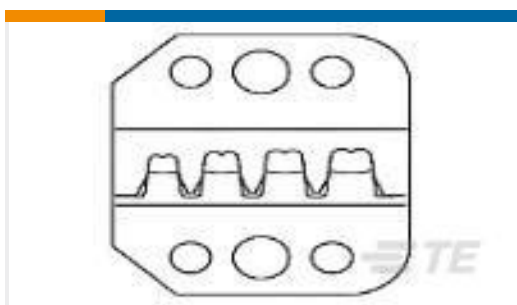
TE Part #177469-000
[B-106-3632](#)



TE Part #539726-2
[DIE-MCP2,8/0,5-1EDS](#)



TE Part #1437623-7
[KS700B1/4=KNOB BLK W /SKIRT 1/4](#)



TE Part #58606-2
[PC DIE 1.5 & 2.5 PIN W/S](#)

Documents

Product Drawings

[B-106-1993](#)

English

Datasheets & Catalog Pages

[1654025_Sec8_B-106](#)

English

Product Specifications



Installation Procedure for Duraseal Splices and Terminals

English