

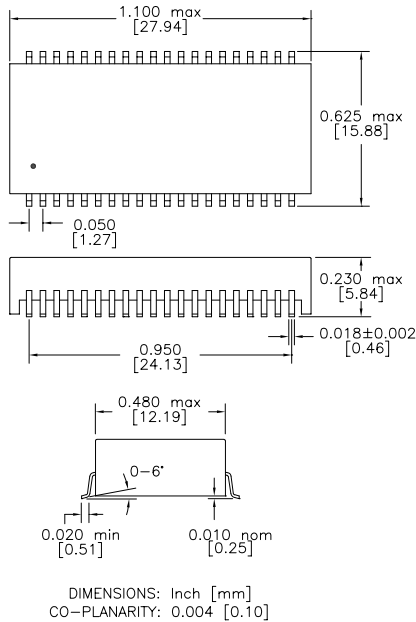
HALO Dual Port SMD 10/100 Isolation Modules

HALO Electronics has developed this high performance series of "Dual Port" 10/100 Isolation Modules to specifically address the isolation, insertion loss and return loss requirements of IEEE 802.3u. Available in an easy to use, 40 pin low profile package. Isolation Modules are available for most LAN IC manufacturer's products. To select the correct Isolation Module please refer to the HALO Electronics 10/100 Selector Guide or contact your local HALO sales representative.

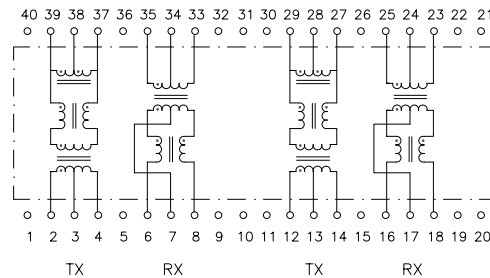


Dual Port SMD 10/100 Isolation Modules

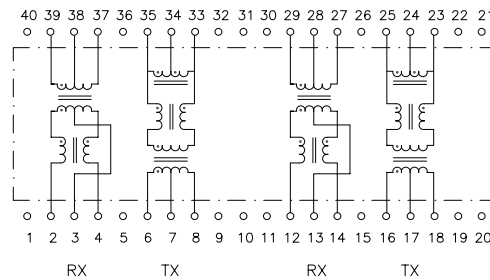
NX Package



Schematic A



Schematic B



Electrical Specifications @ 25°C

Isolation Voltage:	1,500 Vrms
OCL (100KHz, 0.1Vrms, 8mA):	350 μ H Min.
Leakage Inductance (1MHz):	0.4 μ H Max.
Cw/w:	20 pF Typ.
DCR:	0.9 Ω Max.
Rise Time:	2.5 nS Typ.
Cross Talk (0.1-100 MHz):	-38 dB Min.
CMR (0.1-100MHz):	-40 dB Typ.

Patented Construction

US Pat Nbrs:	5,656,985	6,297,721 B1
	6,297,720 B1	6,320,489 B1
	6,344,785 B1	6,662,431 B1

Part Number	Turns Ratio		Circuit Positions	Schematic
	TX	RX		
TG110-3506NXRL	1CT:1CT	1CT:1CT	TX-RX, TX-RX	A
TG110-S025NXRL	1CT:1CT	1CT:1CT	RX-TX, RX-TX	B
TG110-S220NXRL	2CT:1CT	1CT:1CT	TX-RX, TX-RX	A
TG110-S225NXRL	2CT:1CT	1CT:1CT	RX-TX, RX-TX	B
TG110-S237NXRL	1.25CT:1CT	1CT:1CT	RX-TX, RX-TX	B
TG110-S238NXRL	1.25CT:1CT	1CT:1CT	TX-RX, TX-RX	A
TG110-S241NXRL	1CT: $\sqrt{2}$ CT	1CT:1CT	RX-TX, RX-TX	B
TG110-S242NXRL	1CT : $\sqrt{2}$ CT	1CT:1CT	TX-RX, TX-RX	A

Note: Please contact the factory for detailed data sheets.

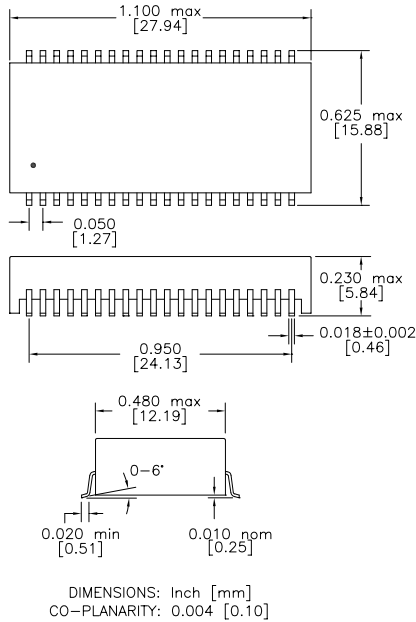
HALO Dual Port SMD 10/100 Isolation Modules

HALO Electronics has developed this high performance series of "Dual Port" 10/100 Isolation Modules to specifically address the isolation, insertion loss and return loss requirements of IEEE 802.3u. Available in an easy to use, 40 pin low profile package. Isolation Modules are available for most LAN IC manufacturer's products. To select the correct Isolation Module please refer to the HALO Electronics 10/100 Selector Guide or contact your local HALO sales representative.

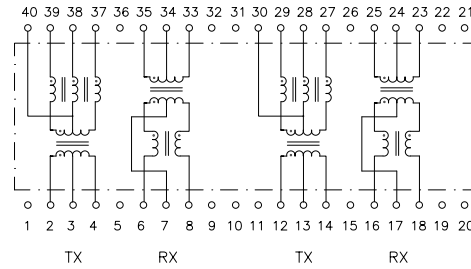


Dual Port SMD 10/100 Isolation Modules

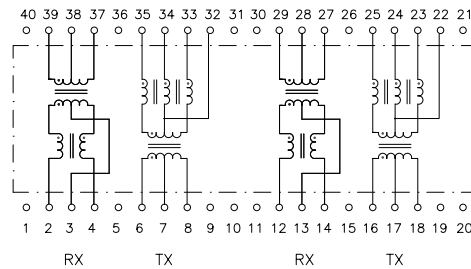
NX Package



Schematic A



Schematic B



Electrical Specifications @ 25°C

Isolation Voltage: 1,500 Vrms
 OCL (100KHz, 0.1Vrms, 8mA): 350 μ H Min.
 Leakage Inductance (1MHz): 0.4 μ H Max.
 Cw/w: 20 pF Typ.
 DCR: 0.9 Ω Max.
 Rise Time: 2.5 nS Typ.
 Cross Talk (0.1-100 MHz): -38 dB Min.
 CMR (0.1-100MHz): -40 dB Typ.

Patented Construction

US Pat Nbrs: 5,656,985 6,297,721 B1
 6,297,720 B1 6,320,489 B1
 6,344,785 B1 6,662,431 B1

Part Number	Turns Ratio		Circuit Positions	Schematic
	TX	RX		
TG110-S035NXRL	1CT:1CT	1CT:1CT	RX-TX, RX-TX	B
TG110-S222NXRL	2CT:1CT	1CT:1CT	TX-RX, TX-RX	A
TG110-S227NXRL	2CT:1CT	1CT:1CT	RX-TX, RX-TX	B
TG110-S235NXRL	1.25CT:1CT	1CT:1CT	TX-RX, TX-RX	A
TG110-S236NXRL	1.25CT:1CT	1CT:1CT	RX-TX, RX-TX	B
TG110-S243NXRL	1CT: $\sqrt{2}$ CT	1CT:1CT	RX-TX, RX-TX	B
TG110-S244NXRL	1CT: $\sqrt{2}$ CT	1CT:1CT	TX-RX, TX-RX	A
TG110-S335NXRL	1CT:1CT	1CT:1CT	TX-RX, TX-RX	A

Note: Please contact the factory for detailed data sheets.

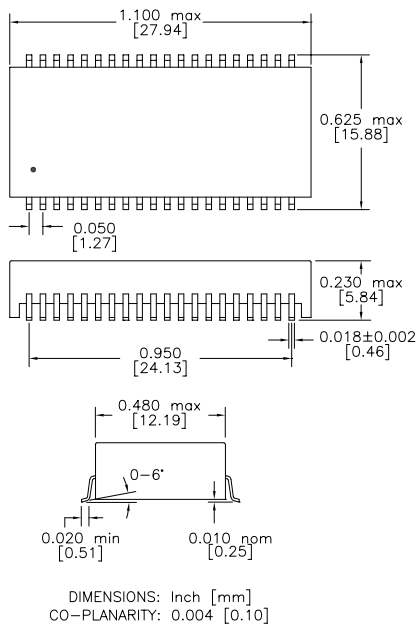
HALO Dual Port SMD 10/100 Isolation Modules

HALO Electronics has developed this high performance series of "Dual Port" 10/100 Isolation Modules to specifically address the isolation, insertion loss and return loss requirements of IEEE 802.3u. Available in an easy to use, 40 pin low profile package. Isolation Modules are available for most LAN IC manufacturer's products. To select the correct Isolation Module please refer to the HALO Electronics 10/100 Selector Guide or contact your local HALO sales representative.

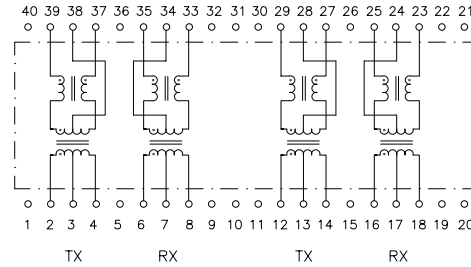


Dual Port SMD 10/100 Isolation Modules

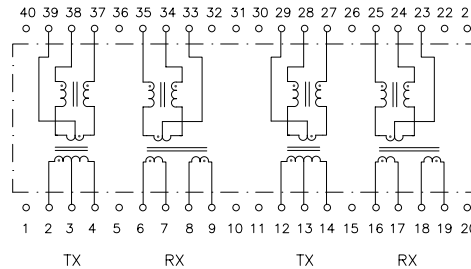
NX Package



Schematic A



Schematic B



Electrical Specifications @ 25°C

Isolation Voltage:	1,500 Vrms
OCL (100KHz, 0.1Vrms, 8mA):	350 μ H Min.
Leakage Inductance (1MHz):	0.4 μ H Max.
Cw/w:	20 pF Typ.
DCR:	0.9 Ω Max.
Rise Time:	2.5 nS Typ.
Cross Talk (0.1-100 MHz):	-38 dB Min.
CMR (0.1-100MHz):	-40 dB Typ.

Patented Construction

US Pat Nbrs:	5,656,985	6,297,721 B1
	6,297,720 B1	6,320,489 B1
	6,344,785 B1	6,662,431 B1

Part Number	Turns Ratio		Circuit Positions	Schematic
	TX	RX		
TG110-S231NXRL	$\sqrt{2}$ CT:1CT	1CT:1CT	TX-RX, TX-RX	A
TG110-S239NXRL	1.25CT:1CT	1CT:1CT	TX-RX, TX-RX	A
TG110-S046NXRL	2CT : 1CT	1 : 1 : 1CT	TX-RX, TX-RX	B

Note: Please contact the factory for detailed data sheets.