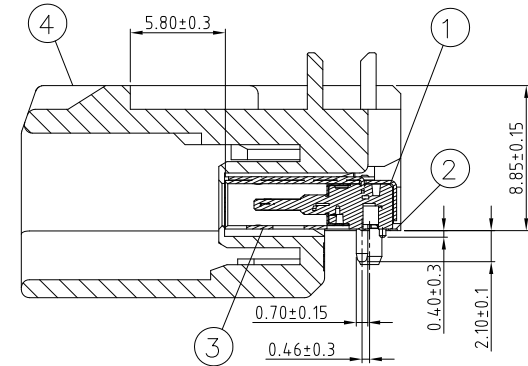
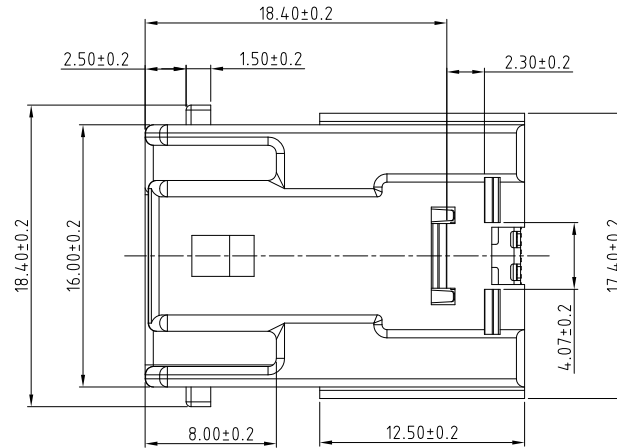
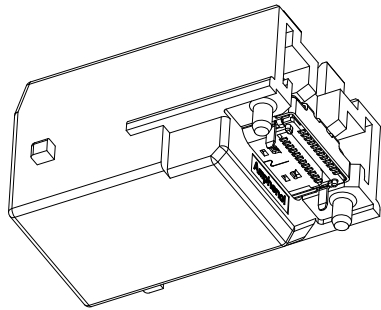


This document is the property of Amphenol Corporation and is delivered on the express condition that it is not to be disclosed, reproduced or used, in whole or in part, for manufacture or sale by anyone other than Amphenol Corporation without its prior consent, & that no right is granted to disclose or to use any information in this document.

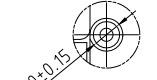
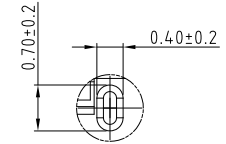
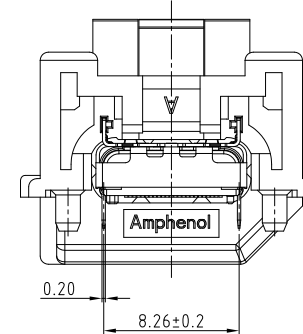
CUSTOMER DRAWING

REVISIONS

SYM	ECN	DESCRIPTION	DATE	APPROVED
1	N/A	FIRST RELEASE	02/08'18	IP
3	N/A	ADDED RETAIN FEATURE TO THE TYPE-C CONN.	12/03'18	IP
4	N/A	UPDATED THE KEY CODE COLOR & ADDED PACKAGE METHOD	02/18'19	IP
5	N/A	ADDED PIN DEFINITION & SHELL TAIL 1.90*2.10	04/03'19	IP
6	N/A	OPERATION TEMPERATURE: -20°C--45°C	10/25'19	IP

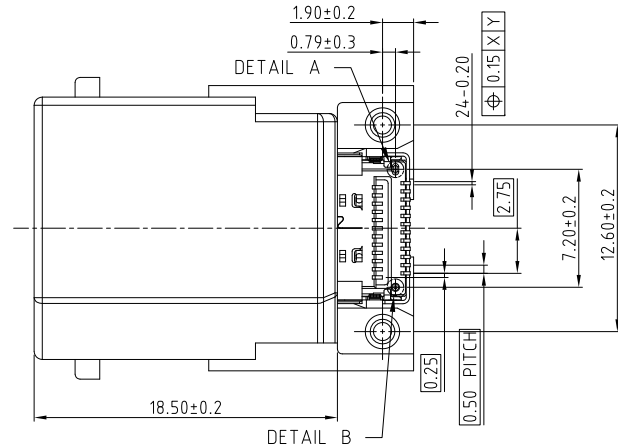
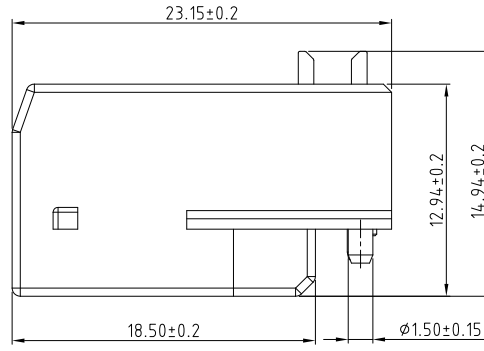


SECTION C-C
SCALE 1:1

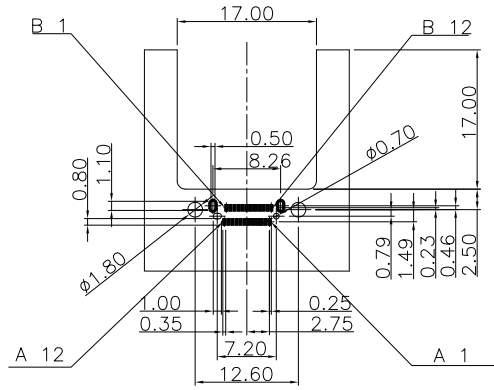
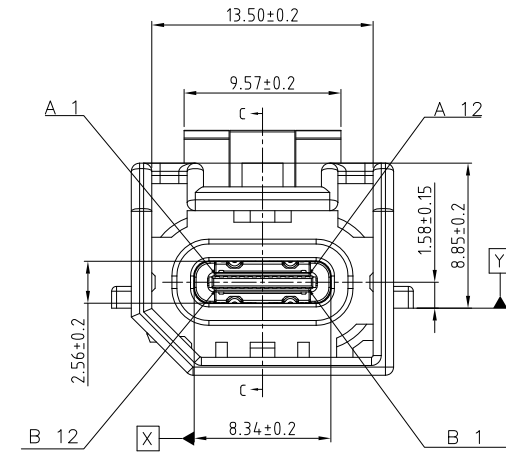


DETAIL A
SCALE 4:1

DETAIL B
SCALE 4:1



DETAIL B



RECOMMENDED PCB LAYOUT
THICKNESS 1.60mm
TOLERANCE +/-0.05mm, SCALE 1:2

No	Part name	Q'ty	Material	Finish	Remark
4	Outer-Housing	1	Nylon	See the table	-
3	Shell	1	Stainless Steel	Note 2	T0.2
2	Contact	24	Copper Alloy	Note 2	T0.1
1	Housing of USB CONN.	1	High temperature thermoplastic	Black Color	-

UNLESS OTHERWISE SPECIFIED TOLERANCES		APPROVAL		DATE
		DRAWN	Young	10/15'18
X	+/-	CHECKED		
.XX	+/-	CHECKED		
.XXX	+/-			
FRACTIONS	+/-			
ANGLES	+/-			
FOR MATERIALS AND FINISHES SEE NOTES		DRAWING FILE :		
REMOVE SHARP EDGES		ANGLE OF PROJECTION		
DIMENSIONS				
U.S.	INCHES			
(METRIC)	(MM)			

Amphenol	
Amphenol East Asia Limited	
TITLE Customer Drawing For HSBridge+	
USB TYPE-C R/A TAIL DUAL SMT RECEPTACLE	
SIZE	DRAWING NO.
A3	UTCXRX11001SX
SCALE	NONE
SHEET	1 OF 1
REV.	6

This document is the property of Amphenol Corporation and is delivered on the express condition that it is not to be disclosed, reproduced or used, in whole or in part, for manufacture or sale by anyone other than Amphenol Corporation without its prior consent, & that no right is granted to disclose or to use any information in this document.

CUSTOMER DRAWING

REVISIONS

SYM	ECN	DESCRIPTION	DATE	APPROVED

TABLE: CODE OPTION

CODE	RECEPTACLE	CASE COLOR	CASE COLOR	RECEPTACLE	CODE
A		JET BLACK	CLARET VIOLET		B
C		NUT BROWN	LEAF GREEN		D
E		SIGNAL BLUE	CREAM WHITE		F
G		BLUE GRAY	YELLOW GREEN		H
J		BEIGE	CURRY		K

NOTES/注释:

- MATERIAL/材料:
 - OUTER-HOUSING: HIGH TEMPERATURE THERMOPLASTIC, UL94V-0, COLOR:PER THE TABLE.
外壳: 耐高温热塑性塑胶, UL94 V-0防火等级, 颜色依表格
 - CONTACTS/端子: COPPER ALLOY/铜合金
PLATING: REFER TO P/N SYSTEM ON MATING AREA.
电镀规格: 接触区域电镀请参考料号编码对应编码
1.27um MIN NICKEL UNDER PLATED OVERALL.
整体底层镀材为镍层, 厚度最少1.27微米。
2.54um MIN PURE MATTE TIN ON SOLDER TAILS.
焊接区域为锡, 厚度最少2.54微米
 - INNER SHELL: STAINLESS STEEL; NICKEL PLATING.
铁壳: 不锈钢, 镀镍。
 - OUTER SHELL: STAINLESS STEEL; NICKEL PLATING.
铁壳: 不锈钢, 镀镍。
- GENERAL SPECIFICATION/通用特性:
 - CURRENT RATING: 5A.
额定电流: 5安培。
 - CONTACT RESISTANCE: 40mΩ MAX (INITIAL).
接触电阻: 40毫欧最大(初始值)
 - INSULATOR RESISTANCE: 100MΩ MIN.
接触电阻: 100兆欧最小
 - DIELECTRIC WITHSTANDING VOLTAGE: 100 VAC
耐电压: 100伏交流
 - OPERATION TEMPERATURE: -45°C~+85°C
操作温度: 零下45摄氏度至85摄氏度
- DIMENSIONING SHALL BE INTERPRETED PER ASME Y14.5M 1994.
尺寸标注基于ASME Y14.5M 1994标准规范
- MATERIAL SHOULD BE FULFILLED AMPHENOL SPEC.# S-SN-002, FOR HALOGEN FREE PRODUCTS, ALSO NEED TO MEET S-SN-004.
产品材料环保标准为Amphenol SSN#002,如果是无卤产品需满足标准SSN#004
- ORDER P/N SYSTEM/产品料号编码系统:

NOTE: Pins Definition

Pin No	Signal Name	Mating Sequence	Pin No	Signal Name	Mating Sequence
A1	GND	First	B12	GND	First
A2	TX1+	Second	B11	RX1+	Second
A3	TX1-	Second	B10	RX1-	Second
A4	Vbus	First	B9	Vbus	First
A5	CC1	Second	B8	SBU2	Second
A6	D+	Second	B7	D-	Second
A7	D-	Second	B6	D+	Second
A8	SBU1	Second	B5	CC2	Second
A9	Vbus	First	B4	Vbus	First
A10	RX2-	Second	B3	TX2-	Second
A11	RX2+	Second	B2	TX2+	Second
A12	GND	First	B1	GND	First
SHELL	GND		SHELL	GND	

UTC-X-R-XX-1-1-001-S-X

Auto USB Type-C Series

Code of Outer housing:

A: Code A, color jet black
 B: Code B, color claret violet
 C: Code C, color nut brown
 D: Code D, color leaf green
 E: Code E, color signal blue
 F: Code F, color cream white
 G: Code G, color blue gray
 H: Code H, color yellow green
 J: Code J, color beige
 K: Code K, color curry

R: Receptacle

Packing option:
 R: Reel
 T: Tray

Solder type:
 S: SMT type

Sequence No.: 001 ~ 999

Plating option(Contact area/Solder area):
 1: Au 0.75μm/ Tin 2.54μm min plated
 2: Vertical

01: Shell solder tail height 2.10mm



UNLESS OTHERWISE SPECIFIED TOLERANCES		APPROVAL		DATE	Amphenol
U.S.	METRIC	DRAWN	Young	10/15'18	
.X	+/-	CHECKED			Amphenol East Asia Limited
.XX	+/-	CHECKED			
.XXX	+/-				TITLE Customer Drawing For HSBridge+
FRACTIONS	+/-				USB TYPE-C R/A TAIL DUAL SMT RECEPTACLE
ANGLES	+/-				DRAWING FILE:
FOR MATERIALS AND FINISHES SEE NOTES		REMOVE SHARP EDGES		ANGLE OF PROJECTION	
DIMENSIONS		U.S.		INCHES	
(METRIC)		(METRIC)		(MM)	
SIZE		DRAWING NO.		REV.	
A3		UTCXRX11001SX		6	
SCALE		NONE		SHEET 1 OF 1	