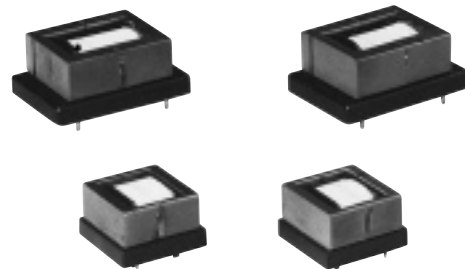


Switching Transformers

Type: **Flat Type**

Japan
Singapore
Slovakia
Hongkong
Indonesia



This is a flat type transformer designed for use in switching power supplies.

Applicable Safety Standards: Denki Yohin , UL, CSA, Europe's Class II

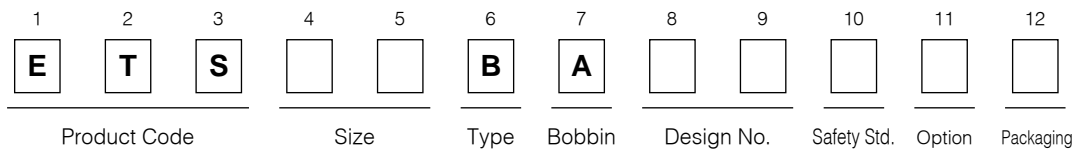
■ Features

- Flat construction (utilizing EE type core)
- UL1411 recognized types are available

■ Recommended Applications

- AC Adaptor
- Printer, Facsimile
- LCD Display

■ Explanation of Part Numbers



■ Performance Characteristics

- Applicable Safety Standards and Maximum Output

Characteristics Size	Safety Standards			max. Output (W)			
	Denki Yohin* UL, CSA	Europe's Class II		Flyback type (FB)		Feed forward type (FF)	
		IEC65	IEC950	20 kHz	100 kHz	20 kHz	100 kHz
FE11F-9	○	—	—	1.5	3.5	—	—
FE16F-12	○	—	—	2.5	4.5	—	—
FE19F-11	○	○	—	3	7	—	—
FE24F-11	○	○	—	8	20	—	—
FE27F-11	○	○	○	20	50	—	—
FE33F-12	○	○	○	30	80	—	—
FE35F-16	○	○	—	40	100	48	120
FE42F-16	○	○	○	90	215	108	258

* Denki Yohin stands for the safety regulations under The Electrical Appliance and Material Control Law.

Note: Values in the above table are for reference and will vary depending on ambient temperature, number of output circuits, switching frequency, input voltage range, output range and others.

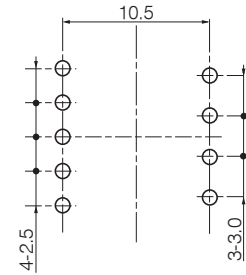
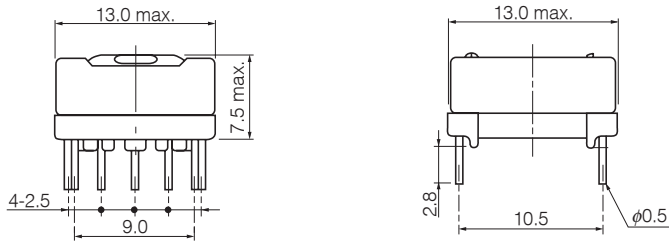
Rev.02/04

Design, Specifications are subject to change without notice. Ask factory for technical specifications before purchase and/or use. Whenever a doubt about safety arises from this product, please inform us immediately for technical consultation without fail.

■ Dimensions in mm (not to scale)

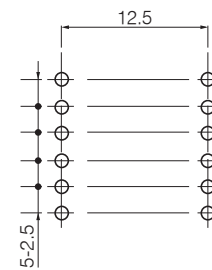
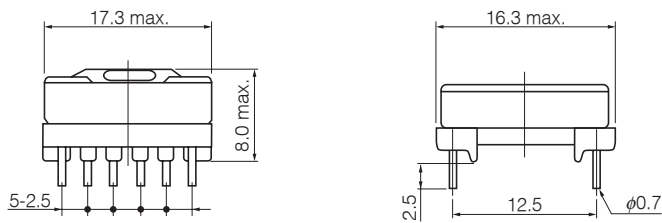
FE11F-9

Recommended PWB piercing plan(Bottom View)



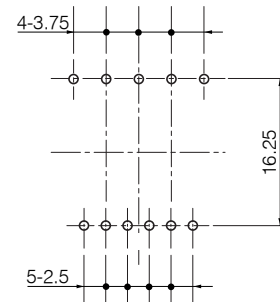
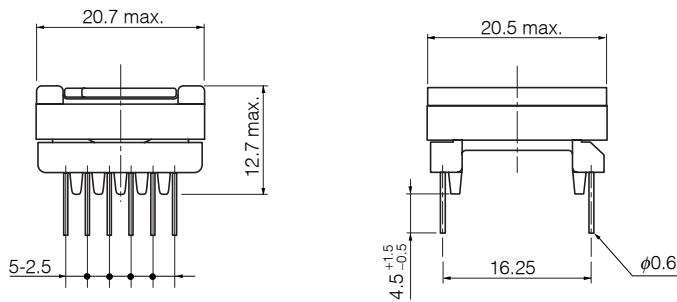
FE16F-12

Recommended PWB piercing plan(Bottom View)



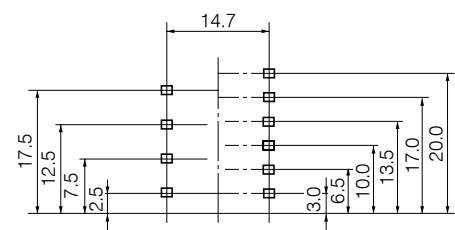
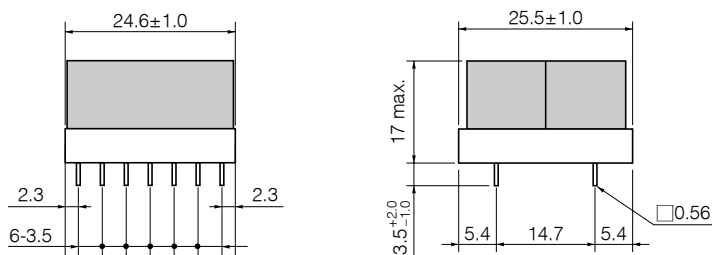
FE19F-11

Recommended PWB piercing plan(Bottom View)



FE24F-11

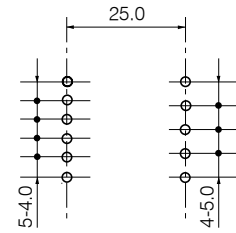
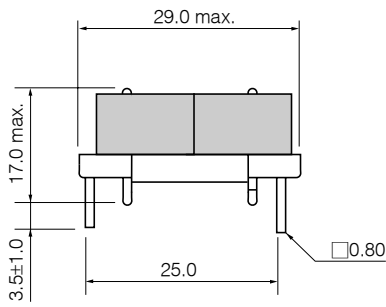
Recommended PWB piercing plan(Bottom View)



■ Dimensions in mm (not to scale)

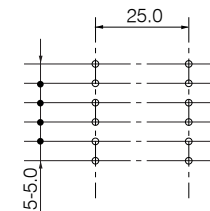
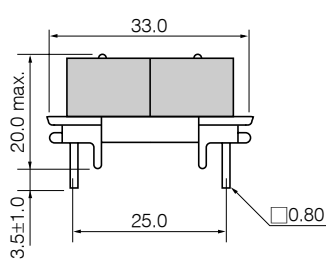
FE27F-11

Recommended PWB piercing plan(Bottom View)



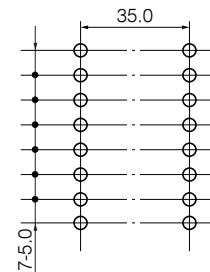
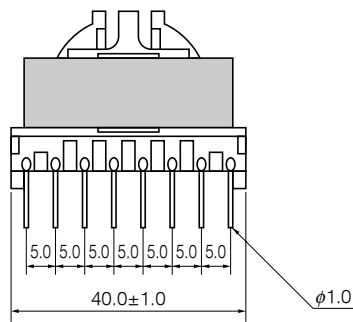
FE33F-12

Recommended PWB piercing plan(Bottom View)



FE35F-16

Recommended PWB piercing plan(Bottom View)



FE42F-16

Recommended PWB piercing plan(Bottom View)

