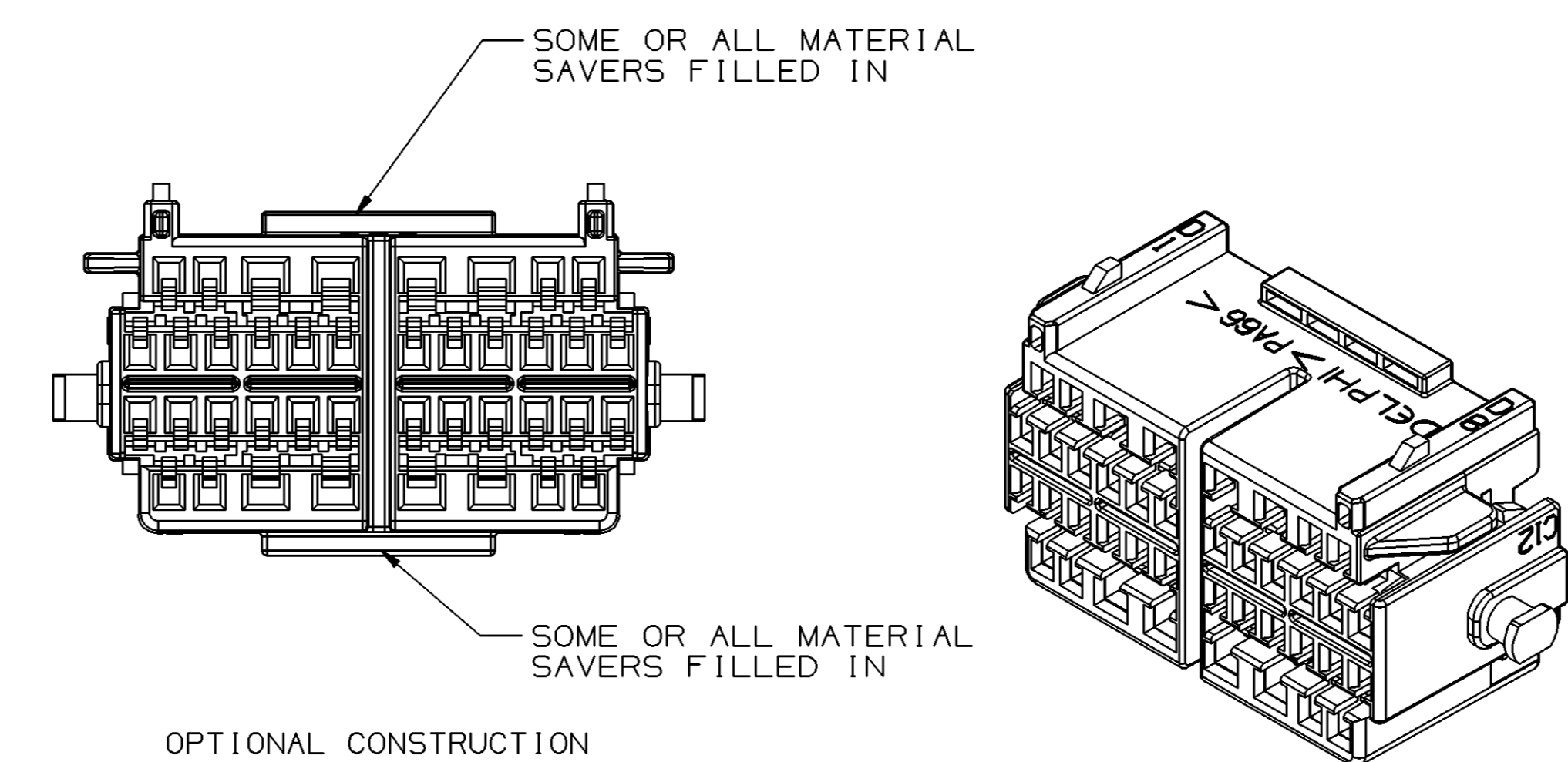
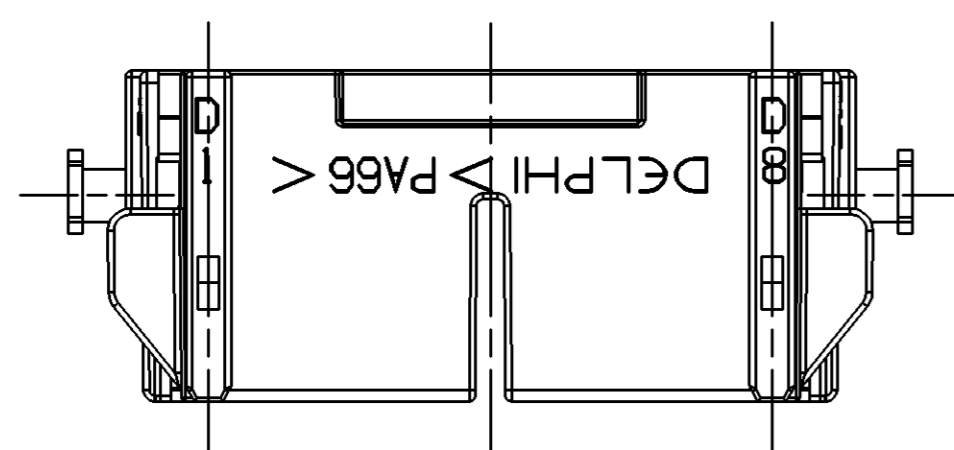
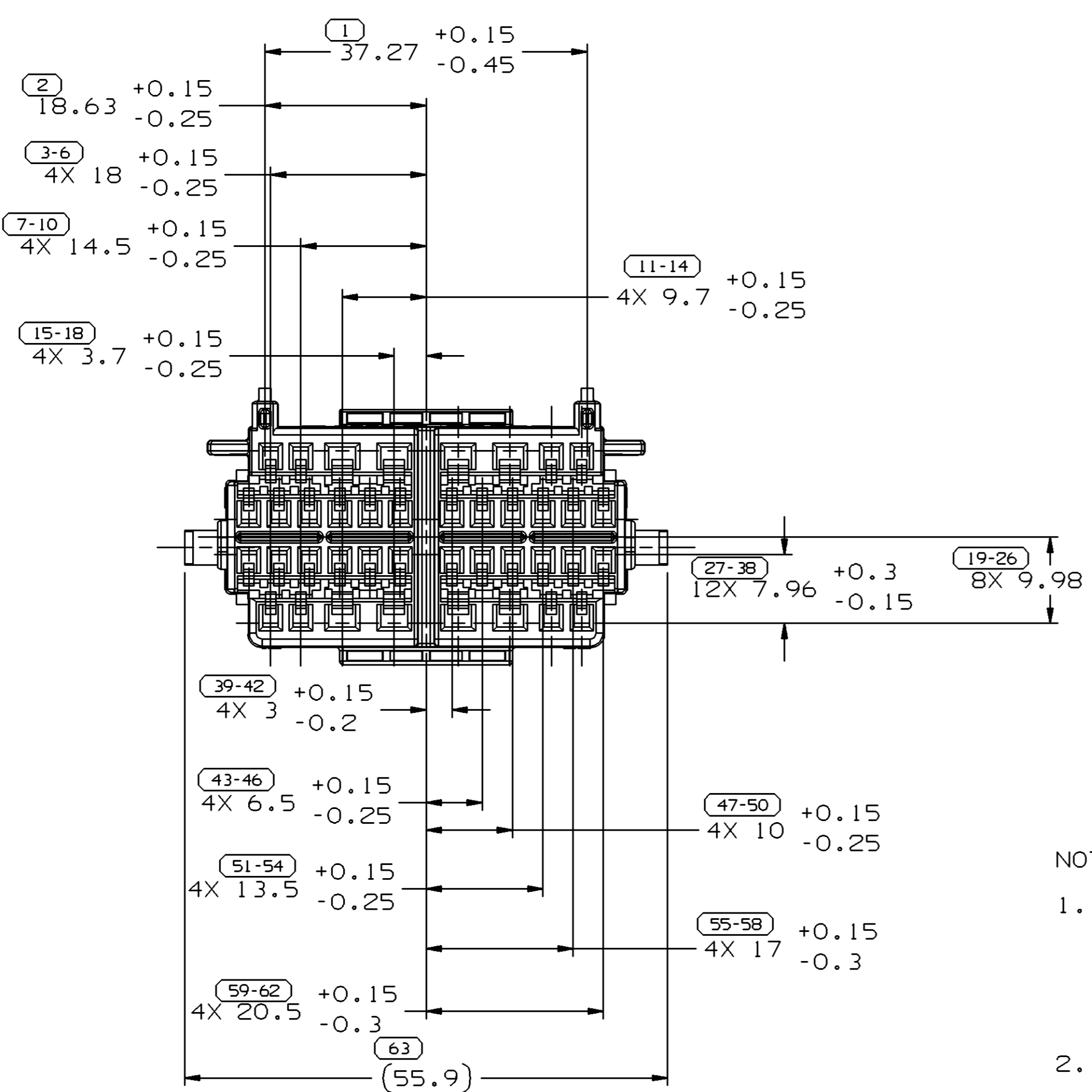


SYMBOL DEFINITION		MISSING NUMBERS		DWG STATUS					REVISION HISTORY		AUTH	DR	APVD1	APVD2
DATE	STG	REV	N/P	CHG	ZONE									
28MY02	R	02	AB	-				15359287 WAS TAXI	15427397	225122	TAI	TAI	TP	
08SE03	R	02	AC	-				ADDED OPTIONAL CONSTRUCTION VIEW		245594	JVM	JVM	MLP	
04MR04	R	02	AD	-				RESTRICTED AND ADDED NOTE		252315	TLD	TLD	MP	
31MR05	R	02	AE	-				OBSOLETE AND ADDED NOTE REMOVED		266188	HAM	HAM	MLP	
								RESTRICTED AND NOTE						



OPTIONAL CONSTRUCTION



NOTES:

- UNLESS OTHERWISE SPECIFIED AND/OR INDICATED: DIMENSIONS ARE TO FACE OF VIEW SHOWN AND AUTOMATICALLY ROUNDED BY COMPUTER FOR INSPECTION. (SEE MATH MODEL FOR PRECISE DIMENSION) FOR ALL OTHER DIMENSIONS NOT SHOWN BUT REQUIRED FOR TOOL BUILD, SEE MATH MODEL FOR PRECISE TOOL PATH DATA.
- MATING COMPONENTS: SECONDARY TERMINAL LOCK (TPA) 15304842 OR EQUIVALENT CAVITIES A1,A2,A7,A8,B1-B12,C1-C12,D1,D2,D7,D8 TO ACCEPT 12191812 TERMINAL OR EQUIVALENT. CAVITIES A3-A6,D3-D6 TO ACCEPT 15304710 TERMINAL OR EQUIVALENT. MAX. INSULATION CRIMP MUST BE LESS THAN 3.65 HIGH AND 4.2 WIDE
- MATERIAL RECYCLING CODE PER ISO 11469. (2.3)X(0.1) RAISED CHARACTERS AS SHOWN TO BE LOCATED ON ANY EXTERIOR SURFACE. OPTIONAL CONSTRUCTION TO BE NO MATERIAL RECYCLING CODE.
- TO BE USED WITH APPROPRIATE DELPHI PACKARD ELECTRIC SYSTEMS DESIGNED HOLDERS.
- TO BE PROCESSED USING DELPHI PACKARD ELECTRIC SYSTEMS BEST PRACTICE METHOD OR CUSTOMER ASSEMBLY INSTRUCTIONS.
- (2.3)X(0.1) RAISED DELPHI CORPORATE BRAND TO BE LOCATED ON ANY EXTERIOR SURFACE, PREFERABLY VISIBLE AT FINAL ASSEMBLY. OPTIONAL CONSTRUCTION TO BE "PED" OR NO LOGO.

OBSOLETE
REPLACED BY 15448129

DELPHI

DELPHI PACKARD ELECTRIC SYSTEMS
WARREN, OH

DWG TYPE		PART DRAWING	
STYLE			
VOLUME (CM ³)	DISTR CODE	D	
11.721			
UNLESS OTHERWISE SPECIFIED			
THIS DOCUMENT IS IN ACCORDANCE WITH ASME Y14.5M-1994 AS AMENDED BY THE GM GLOBAL DIMENSIONING AND TOLERANCING ADDENDUM - 1997. ALL GEOMETRIC TOLERANCES AND RELATED DATUMS APPLY RFS. RULE #1 PERFECT FORM AT MMC DOES NOT APPLY WHEN RELATIONSHIP BETWEEN FEATURES IS ESTABLISHED BY ORIENTATION OR LOCATION TOLERANCES. SEPARATE POSITION CALLOUTS MAY BE GAGED SEPARATELY, REGARDLESS OF DATUM REFERENCE. ALL DIMENSIONS ARE IN MILLIMETERS			
THIRD ANGLE PROJECTION			
DO NOT SCALE			
USE MATH DATA			

DR		DATE	
APVD1 TROY ILER		29MY02	
APVD2 TROY ILER		29MY02	
APVD3 C. MANSKY		29MY02	
APVD4			
APVD5			
SUBSTANCES OF CONCERN AND RECYCLED CONTENT PER DELPHI 10949001			
MATERIAL M3592001 PA66 HS IM-BLK			
DRAWING NAME			
CONN 40 F GT 150 280			
DRAWING NUMBER			
15359287			
SIZE	SCALE	FRAME NO	SHEET NO
A1	2:1	1 OF 1	1 OF 1
		STG	REV
		R	02
		N/P	AE

DIMENSIONAL RANGE (MM)		CHART E1	
FROM	TO	FROM	TO
> 0	> 20	> 70	> 100
> 20	> 30	> 100	> 150
> 30	> 70	> 150	> 200
> 70	> 100	> 200	> 250
> 100	> 150	> 250	> 300
> 150	> 200	> 300	> 400
TOLERANCE UNLESS OTHERWISE SPECIFIED			
±0.15	±0.2	±0.3	±0.4
±0.5	±0.6	±0.8	±1
±1.2			
ANGULAR TOLERANCE ±2°			