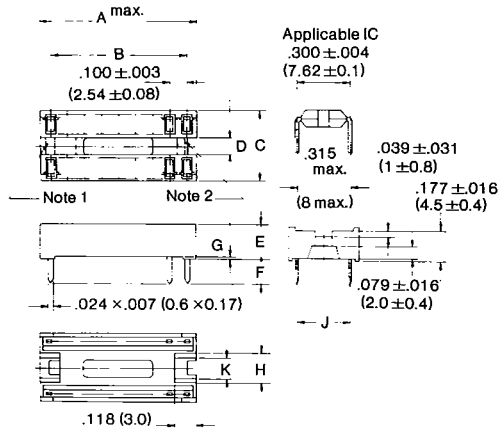
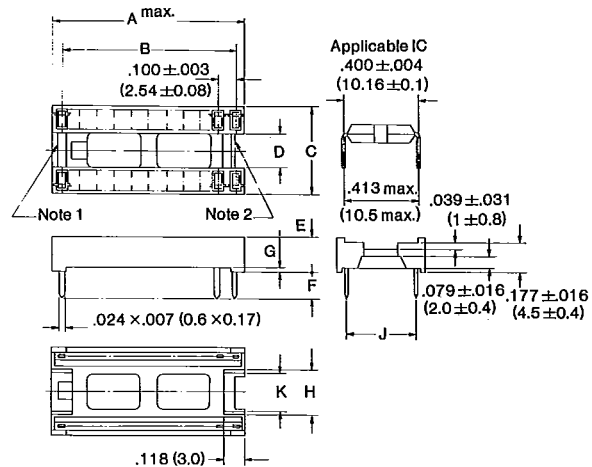


Dimensions are inches (mm in parenthesis)

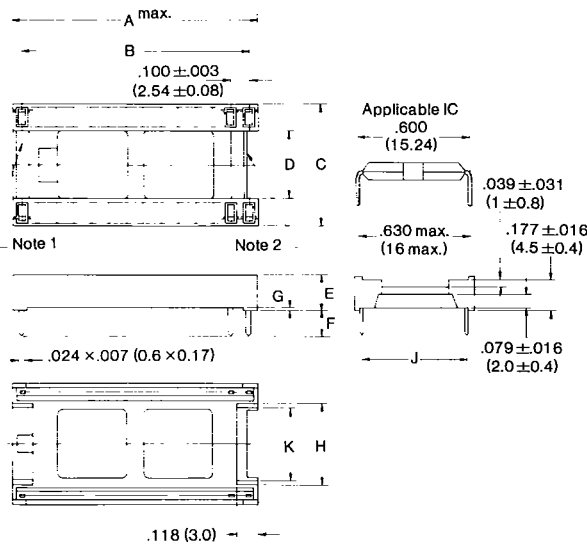
■ 14·16·18·20 CONTACTS



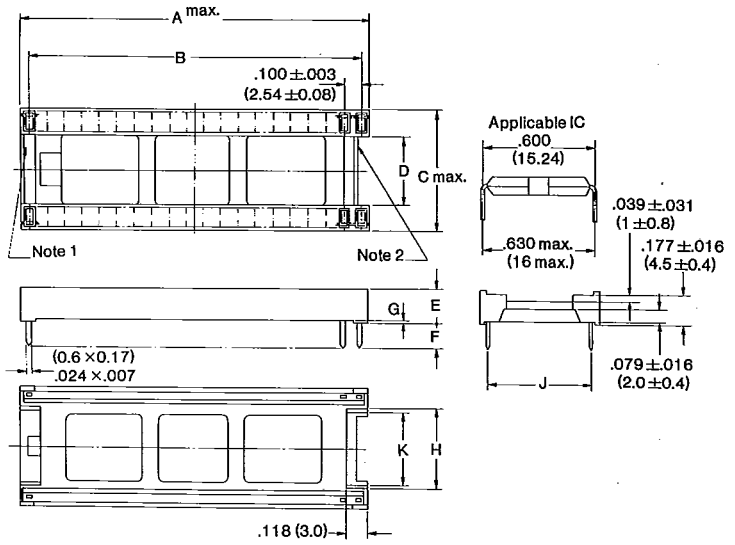
■ 20·22 CONTACTS



■ 24·28 CONTACTS



■ 40·42 CONTACTS



Inches (Millimeters)

Number of Contacts	Part Number		A	B	C	D	E	F	G	H	K	J
	Gold Finish	Tin Finish	Max.	±.008 (0.2)	Max.		±.016 (0.4)	±.016 (0.4)				±.012 (0.3)
14	DICF-14A	DICF-14C	.700	.600	.400	.098±.016	.197	.150	.012	.165	.118	.300
	DICF-14AS	DICF-14CS	(17.78)	(15.24)	(10.16)	(2.5±0.4)	(5.0)	(3.8)	(0.3)	(4.2)	(3.0)	(7.62)
16	DICF-16A	DICF-16C	.800	.700	.400	.098±.016	.197	.150	.012	.165	.118	.300
	DICF-16AS	DICF-16CS	(20.32)	(17.78)	(10.16)	(2.5±0.4)	(5.0)	(3.8)	(0.3)	(4.2)	(3.0)	(7.62)
18	DICF-18A	DICF-18C	.900	.800	.400	.098±.016	.197	.150	.012	.165	.118	.300
	DICF-18AS	DICF-18CS	(22.86)	(20.32)	(10.16)	(2.5±0.4)	(5.0)	(3.8)	(0.3)	(4.2)	(3.0)	(7.62)
20 (Note 3)	DICF-20A	DICF-20C	.995	.900	.400	.098±.016	.197	.150	.012	.165	.118	.300
	DICF-20AS	DICF-20CS	(25.28)	(22.86)	(10.16)	(2.5±0.4)	(5.0)	(3.8)	(0.3)	(4.2)	(3.0)	(7.62)
20 (Note 4)	DICF-20A-1	DICF-20C-1	.995	.900	.500	.197±.016	.197	.150	.012	.263	.217	.400
	DICF-20AS-1	DICF-20CS-1	(25.28)	(22.86)	(12.70)	(5.0±0.4)	(5.0)	(3.8)	(0.3)	(6.7)	(5.5)	(10.16)
22	DICF-22A	DICF-22C	1.100	1.000	.500	.197±.031	.197	.150	.012	.280	.217	.400
	DICF-22AS	DICF-22CS	(27.94)	(25.40)	(12.70)	(5.0±0.8)	(5.0)	(3.8)	(0.3)	(7.1)	(5.5)	(10.16)
24	DICF-24A	DICF-24C	1.200	1.100	.700	.394±.031	.197	.150	.012	.476	.413	.600
	DICF-24AS	DICF-24CS	(30.48)	(27.94)	(17.78)	(10.0±0.8)	(5.0)	(3.8)	(0.3)	(12.1)	(10.5)	(15.24)
28	DICF-28A	DICF-28C	1.400	1.300	.700	.394±.031	.197	.150	.012	.476	.413	.600
	DICF-28AS	DICF-28CS	(35.56)	(33.02)	(17.78)	(10.0±0.8)	(5.0)	(3.8)	(0.3)	(12.1)	(10.5)	(15.24)
40	DICF-40A	DICF-40C	2.000	1.900	.700	.394±.031	.197	.150	.012	.476	.413	.600
	DICF-40AS	DICF-40CS	(50.80)	(48.26)	(17.78)	(10.0±0.8)	(5.0)	(3.8)	(0.3)	(12.1)	(10.5)	(15.24)
42	DICF-42A	DICF-42C	2.100	2.000	.700	.394±.031	.197	.150	.012	.476	.413	.600
	DICF-42AS	DICF-42CS	(53.34)	(50.80)	(17.78)	(10.0±0.8)	(5.0)	(3.8)	(0.3)	(12.1)	(10.5)	(15.24)

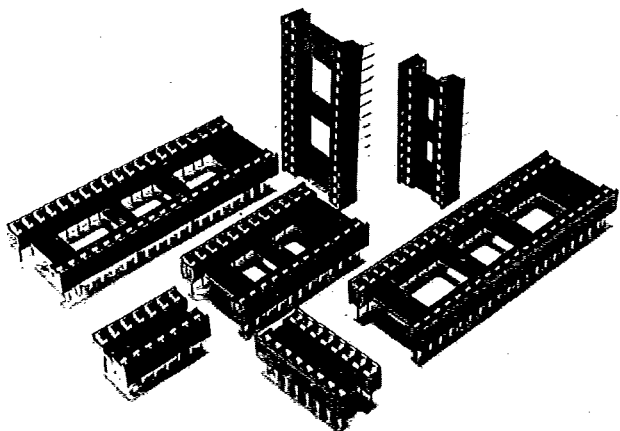
- Notes: 1. Contact identification number.
- 2. Polarizing concavity.
- 3. Refer to the figure of upper left.
- 4. Refer to the figure of upper right.
- 5. Lower part number DICF-**AS and DICF-**CS is anti-flux wicking version.

Dimensions subject to change



Low-Profile IC Socket .100" (2.54mm) pitch, Dual-in-Line

Series DICF

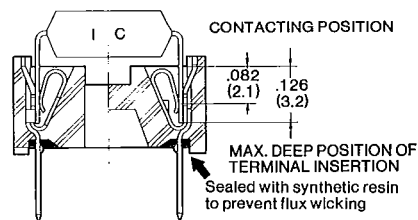


DICF is a low cost, low-profile IC socket for the dual-in-line IC making lower and higher density mounting on the P.C. board.

With using this low cost DICF, significant cost saving can be accomplished by eliminating the time-consuming-job of soldering and unsoldering the IC to and from P.C. board. The IC is simply inserted into and extracted from DICF to be checked or replaced.

Also by using DICF, the damage to the IC by heat stress in the case of direct soldering of the IC to the P.C. board can be avoided to offer uniform and stable connection between the IC and the socket.

- Designed compact with insulator height of .177" (4.5mm), DICF series are low-profile type where the IC can be installed low.
- The sockets are end-to-end and side-to-side stackable with .100" (2.54mm) pitch on PCB pattern.
- Highly reliable contact with two-contact contacting structure and excellent spring characteristics.
- Available anti-flux wicking version
Anti-flux wicking DICF version is available of which contact terminals at insulator bottom are sealed with special synthetic resin to prevent flux contamination and solder wicking. Solder will not wick into the contact area.



- IC checker can be used with DICF.
- Low cost by high reliability technology and high productivity.
- Two types of contact platings, tin or gold over nickel platings are available.
- Insulator material is flame retardant glass-filled polyester UL rated 94V-0 and contact material is phosphor bronze.
- Number of contacts: 14, 16, 18, 20, 22, 24, 28, 40 and 42

HOW TO ORDER

DICF - 14 A S

Series Prefix _____
 Number of Contacts _____
 Contact Finish _____
 Anti-flux wicking version _____

SERIES PREFIX

DICF—Dual-In-line IC socket, type F

NUMBER OF CONTACTS

14, 16, 18, 20, 22, 24, 28, 40, and 42

CONTACT FINISH

A—Gold over Nickel

C—Tin over Nickel

Note: DICF-20C (or -20A) is for the contact-row-spacing of .300" (7.62mm) and DICF-20C-1 (or -20A-1) is of .400" (10.16mm).

STANDARD DATA

Materials and Finishes

Insulator	Glass-filled Polyester (UL94V-0)
Contacts	Phosphor bronze
Contact Finish	DICF-**A: Gold over Nickel DICF-**C: Tin over Nickel

ELECTRICAL DATA

Current Rating	1 amp max.
Dielectric Withstanding Voltage	500VAC (rms) for 1 min.
Insulation Resistance	1000 M Ω min.
Contact Resistance	DICF-**A: 20 m Ω max. DICF-**C: 30 m Ω max.
Operating Temperature	-55°C to +105°C