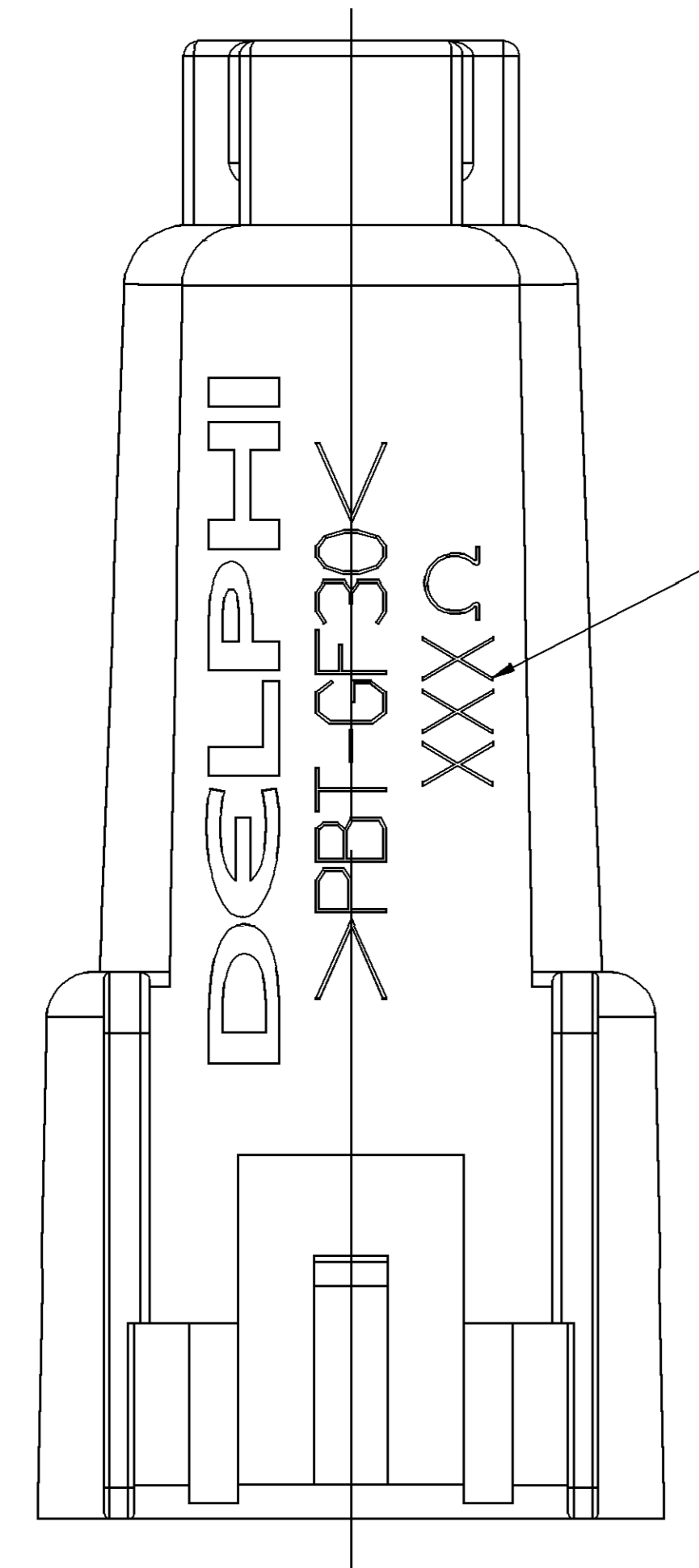
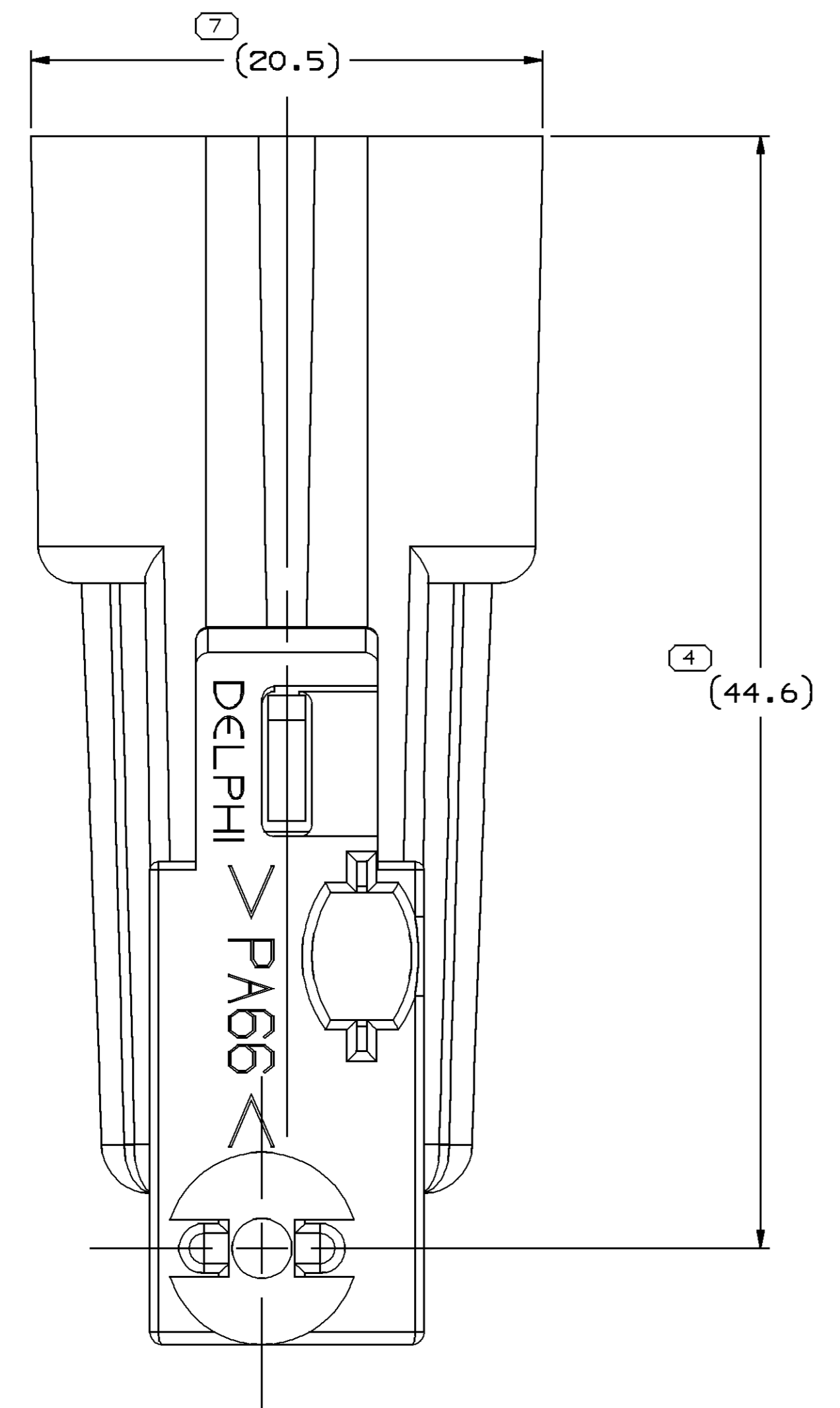
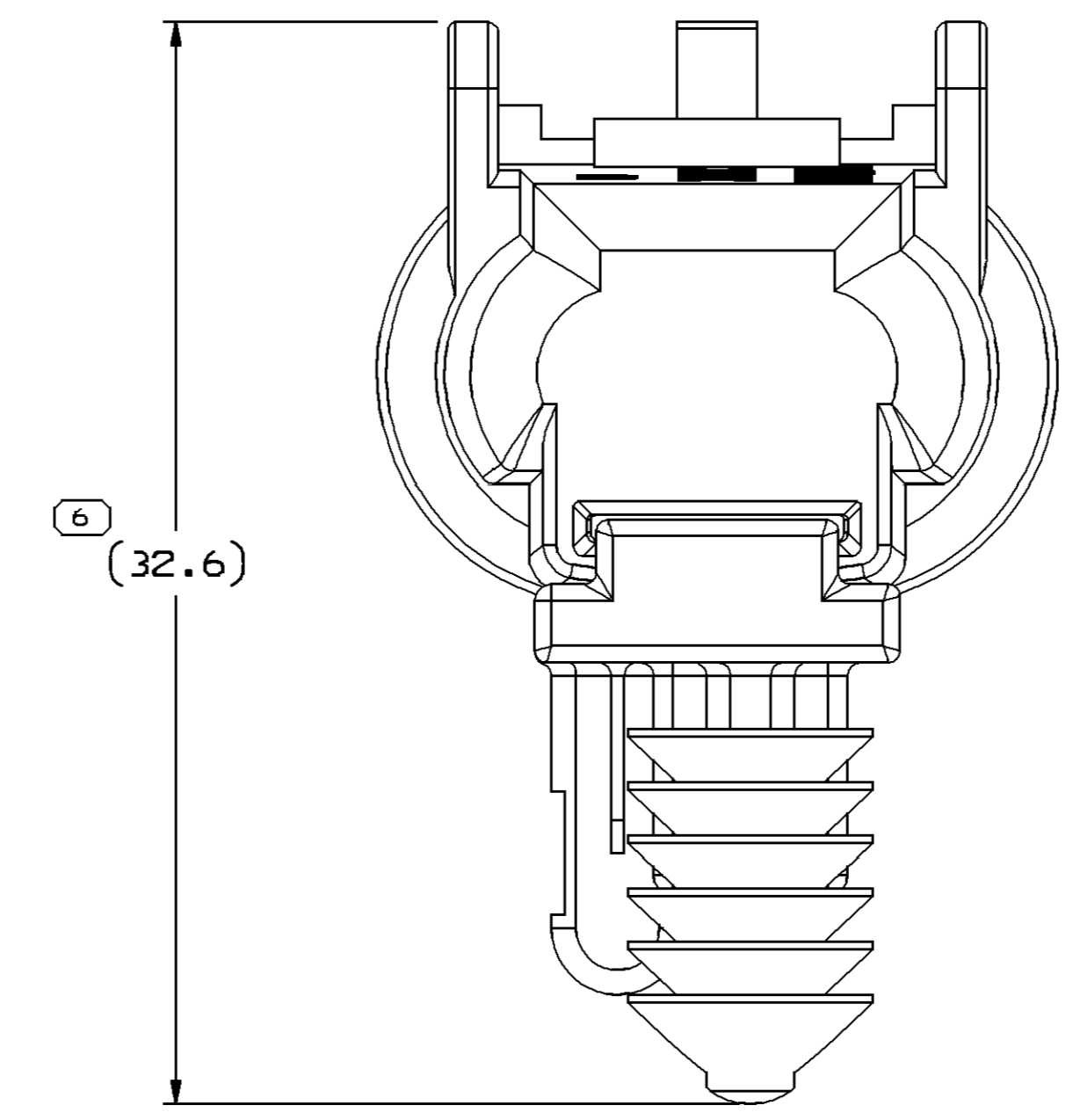
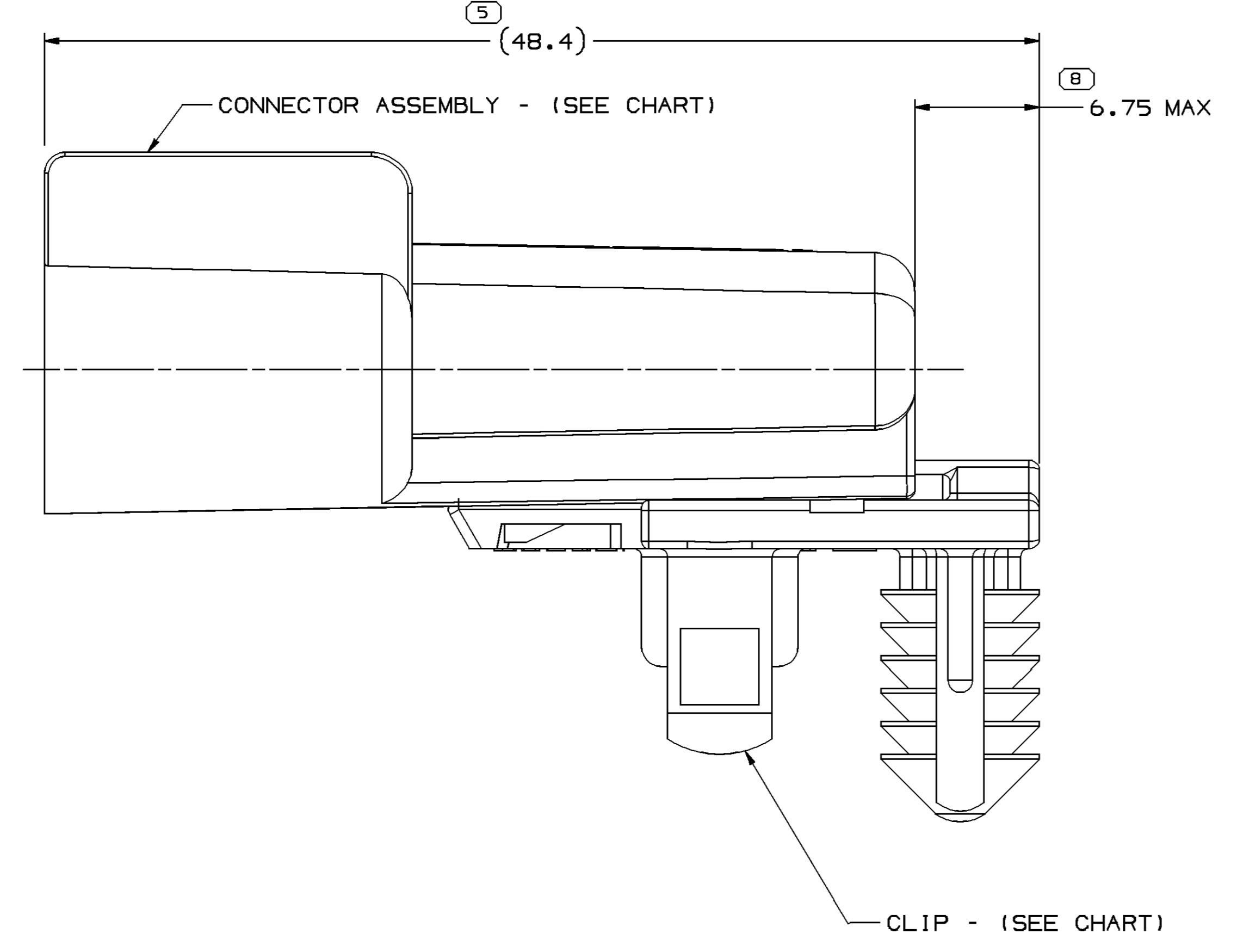
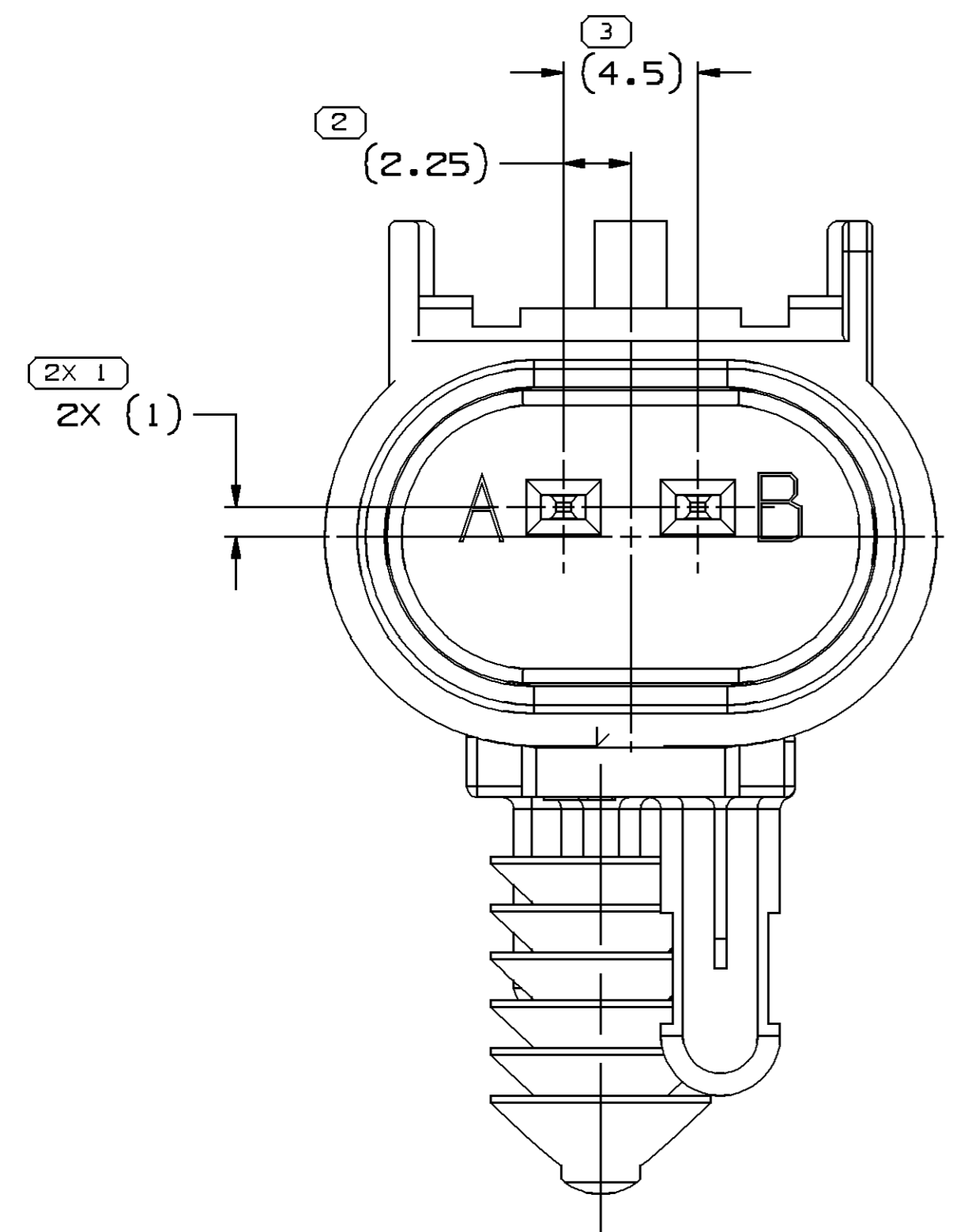
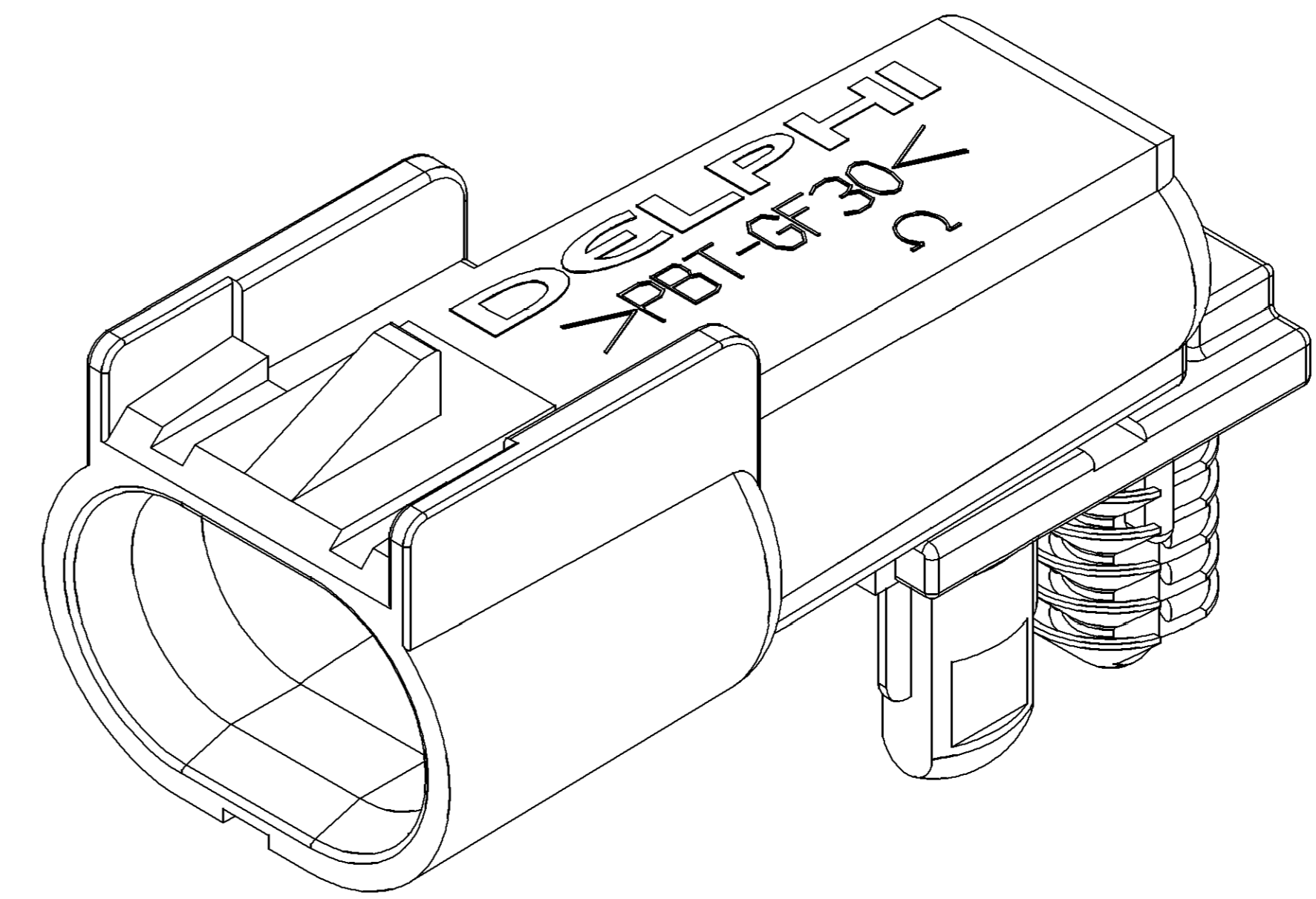


SYMBOL DEFINITION		TOTAL NO OF INSPECTIONS REQUIRED	MISSING SYMBOLS
A DIMENSION WITHOUT AN INSPECTION REPORT SYMBOL DOES NOT REQUIRE INSPECTION. IT MAY BE CONTROLLED ON THE INDIVIDUAL COMPONENT DRAWING.		9	NO MISSING SYMBOL NUMBER
		8	LAST NO. USED

DWG STATUS		ZONE		REVISION HISTORY		AUTH	DR	AP/VD
DATE	STG	REV	N/P	CHG				
02AU05	R	01	-	-	13536533-41 WERE PE142285-93 & RELEASED	270573	JS	JS RC
16AU05	R	02	-	-	ALL PARTS - CLIP P/N WAS 15411124, REVISED NOTE #4	271188	END	END RC M
04N005	R	03	-	-	ALL PARTS - REVISED OHMS RESISTANCE VALUES ON CONNECTORS AND REVISED CHART	273978	MM	MM RC
06JN06	R	04	-	-	ALL PARTS - REVISED CUSTOMER PART NUMBER AND SPEC IN NOTE 4	281171	MM	MM RC



RESISTANCE VALUE (2.3)X(0.1)
SEE CHART FOR VALUE



- NOTES
- UNLESS OTHERWISE SPECIFIED AND/OR INDICATED:
DIMENSIONS ARE TO FACE OF VIEW SHOWN AND AUTOMATICALLY ROUNDED BY COMPUTER FOR INSPECTION (SEE MATH MODEL FOR PRECISE DIMENSIONS). FOR ALL OTHER DIMENSIONS NOT SHOWN BUT REQUIRED FOR TOOL BUILD, SEE MATH MODEL FOR PRECISE TOOL PATH DATA.
 - ASSEMBLY: BE SURE TO SEAT CLIP SECURELY IN THE CONNECTOR BODY CLIP SLOT.
 - REFERENCE MATING COMPONENTS OR EQUIVALENT:
CONNECTOR 15326801
 - PARTS MUST MEET BORGWARNER SPEC 44-00-430-039-C AND 44-00-447-00B.
 - THIS PART ACCEPTS THE FOLLOWING COMPONENTS OR EQUIVALENT:
TERMINAL 15326426
(FEMALE TERMINAL MUST HAVE GOLD PLATED TERMINAL CONTACT AREA)

BORGWARNER PART NO	PART NO	REV	N/P	STATUS	CONN ASM	RESISTANCE (OHMS ±1%)	CLIP
44-00-694-009	13536541	03	AA	-	13534895	12700	15326712
44-00-694-008	13536540	03	AA	-	13534894	7320	15326712
44-00-694-007	13536539	03	AA	-	13534893	3160	15326712
44-00-694-006	13536538	03	AA	-	13534892	1820	15326712
44-00-694-005	13536537	03	AA	-	13534891	1150	15326712
44-00-694-004	13536536	03	AA	-	13534890	715	15326712
44-00-694-003	13536535	03	AA	-	13534889	453	15326712
44-00-694-002	13536534	03	AA	-	13534888	255	15326712
44-00-694-001	13536533	03	AA	-	13534887	115	15326712

DELPHI
DELPHI PACKARD ELECTRIC SYSTEMS
WVREN, OH

DATE: 02AU05
DR: JOE SUDIK
AP/VD1: JOE SUDIK
AP/VD2: JOE SUDIK
AP/VD3: RANDY CVELBAR
AP/VD4: [blank]
AP/VD5: [blank]

UNLESS OTHERWISE SPECIFIED
THIS DOCUMENT IS IN ACCORDANCE WITH ASME Y14.5M-1994
AS MODIFIED BY THE M SI UNITS SUPPLEMENT AND
TOLERANCE ADDENDUM-2001. SEPARATE WRITINGS OF
FEATURES MAY BE BASED SEPARATELY PER RULES OF DIMENSIONAL
REFERENCES.

ALL DIMENSIONS ARE IN MILLIMETERS

THIRD ANGLE PROJECTION
DO NOT SCALE
USE MATH DATA

DRAWING NAME: TAXI ASM CONN M GT 150 BLK SLD
DRAWING NUMBER: 13536544
SCALE: 5:1
SHEET NO: 1 OF 1
REV: R 04