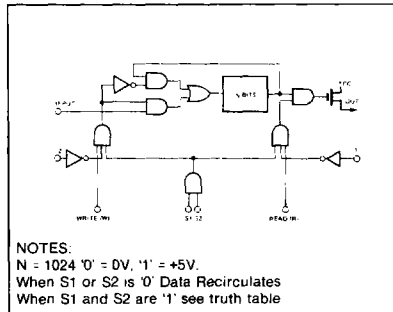


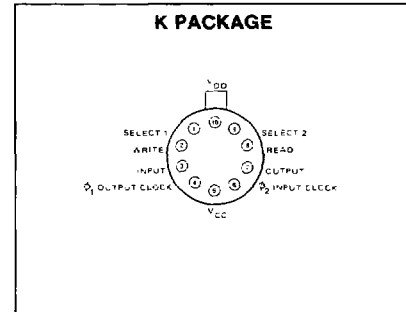
**DESCRIPTION**

The 2512 1024-bit recirculating dynamic shift register consists of enhancement mode P-channel MOS devices integrated on a single monolithic chip. Internal recirculation logic plus write and read controls, together with two chip select controls are included on the chip.

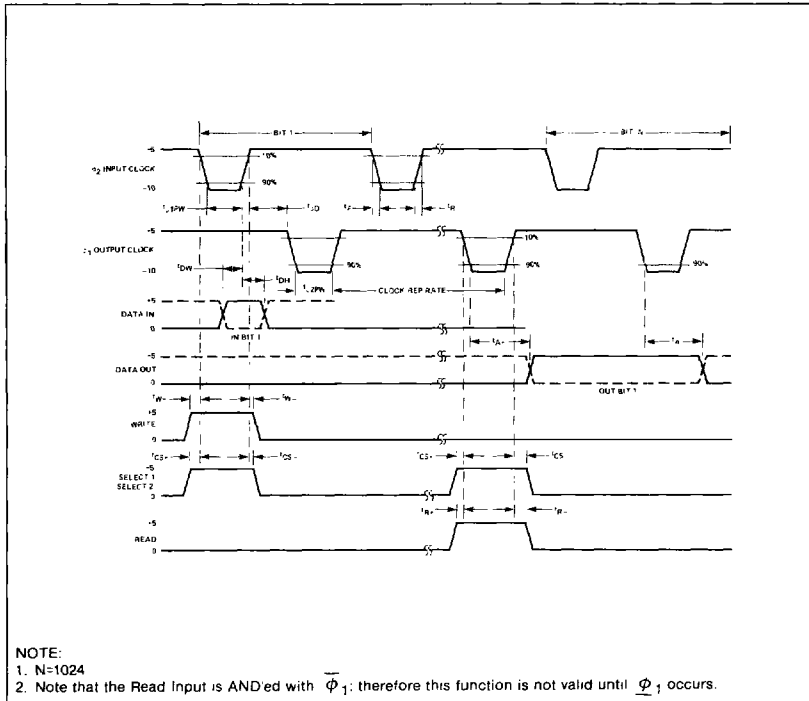
**BLOCK DIAGRAM**



**PIN CONFIGURATION**



**TIMING DIAGRAM**



**TRUTH TABLE**

WRITE	READ	FUNCTION
0	0	Recirculate, Output is '0'
0	1	Recirculate, Output is Data
1	0	Write Mode, Output is '0'
1	1	Read/Write, Output is Data